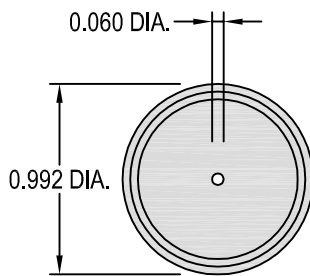
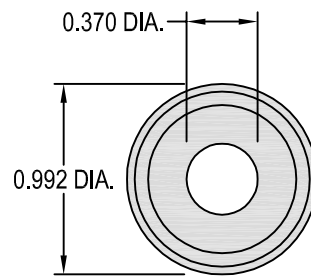


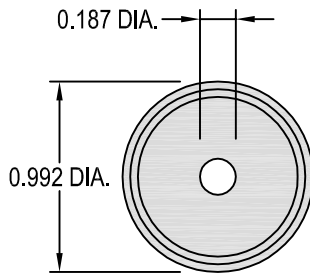
GUIDE : CLAMP FITTINGS SIZING



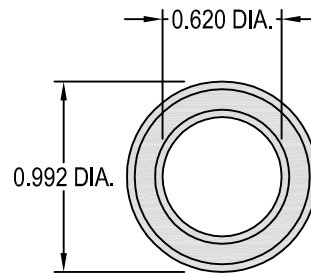
1/8" MINI T.C.



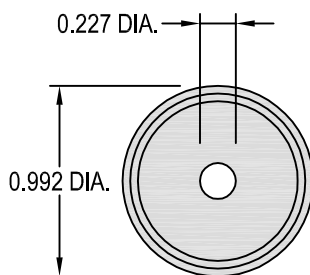
1/2" MINI T.C.



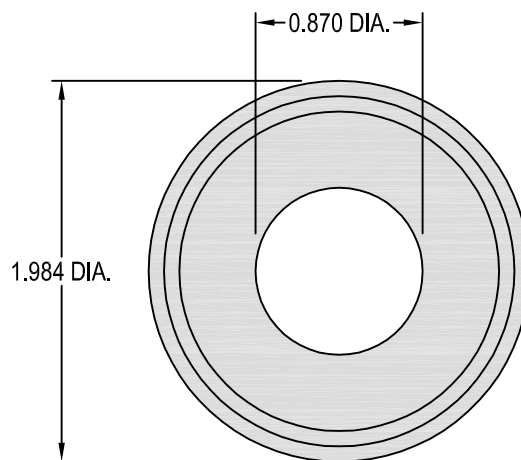
1/4" MINI T.C.



3/4" MINI T.C.



3/8" MINI T.C.

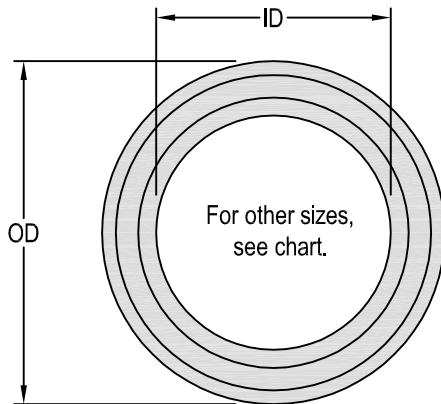
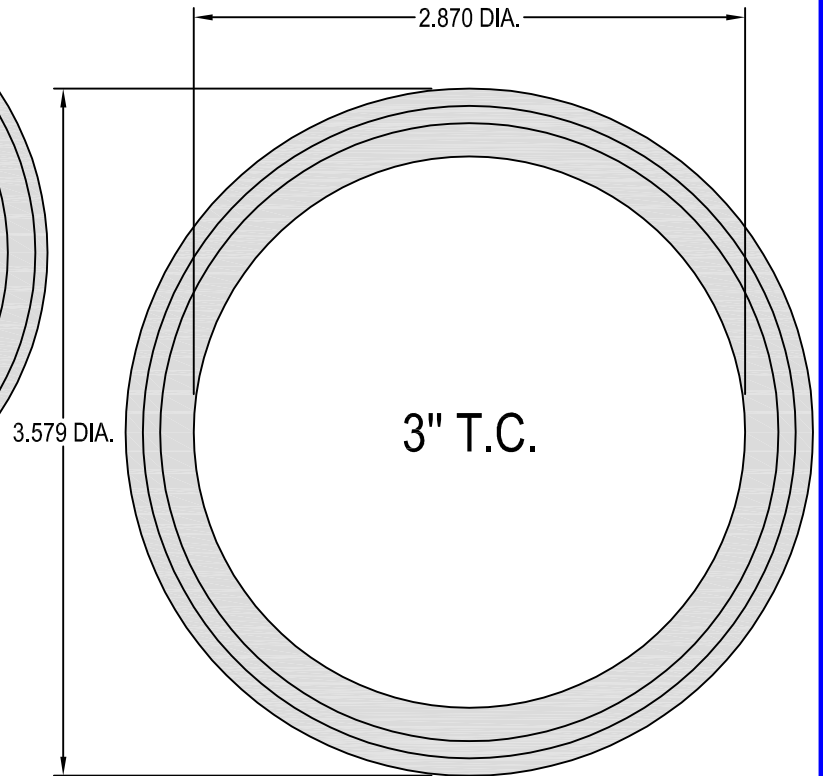
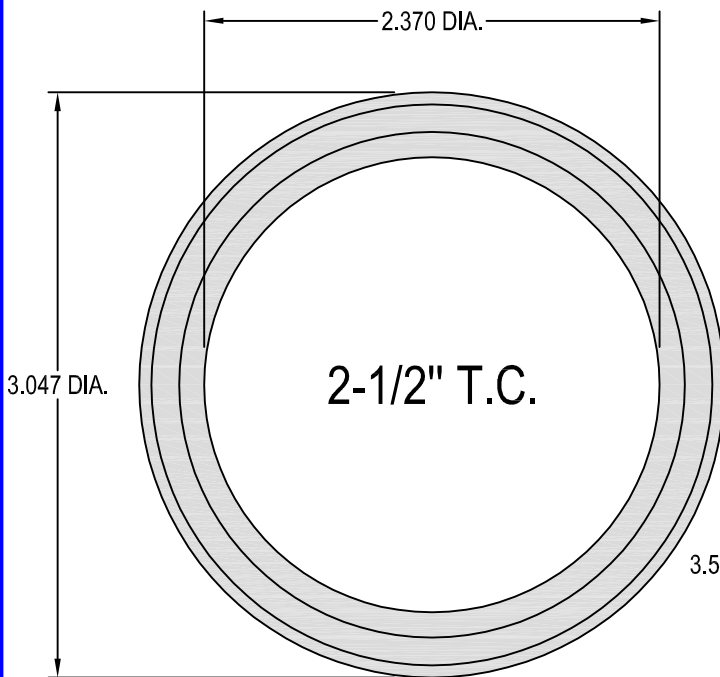
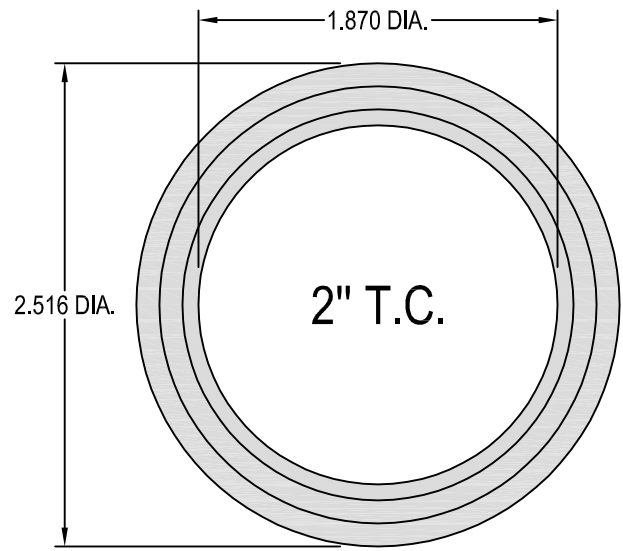
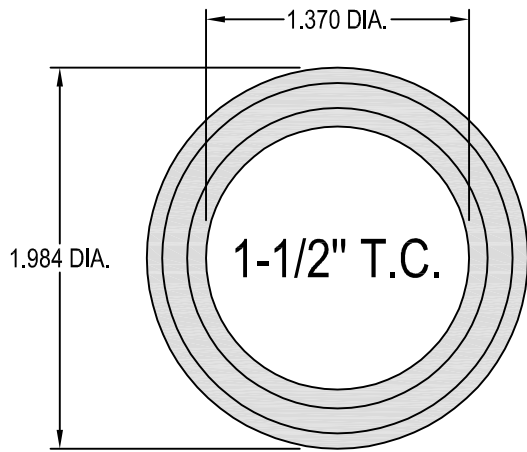


1" T.C.

All dimensions in inches.



GUIDE : CLAMP FITTINGS SIZING



Nominal Size	OD of clamp end	ID of fitting
4"	4.682	3.834
6"	6.562	5.782
8"	8.602	7.782
10"	10.570	9.732
12"	12.570	11.732

All dimensions in inches.

