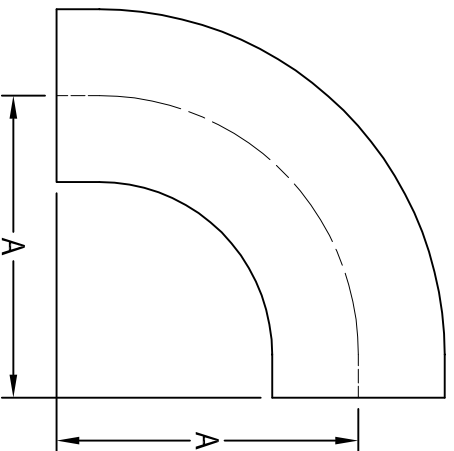


## HS-L2S 90° WELD ELBOW (LONG)



TUBE OD	A	Wall Thickness	SS-304 Item No.	SS-316L Item No.
1/2"	3.000	.065	0.50" HS-L2S-4-7	0.50" HS-L2S-6-7
3/4"	3.000	.065	0.75" HS-L2S-4-7	0.75" HS-L2S-6-7
1"	2.062	.065	1.00" HS-L2S-4-7	1.00" HS-L2S-6-7
1 1/2"	2.937	.065	1.50" HS-L2S-4-7	1.50" HS-L2S-6-7
2"	4.062	.065	2.00" HS-L2S-4-7	2.00" HS-L2S-6-7
2 1/2"	5.187	.065	2.50" HS-L2S-4-7	2.50" HS-L2S-6-7
3"	6.312	.065	3.00" HS-L2S-4-7	3.00" HS-L2S-6-7
4"	8.312	.083	4.00" HS-L2S-4-7	4.00" HS-L2S-6-7
6"	11.530	.109	6.00" HS-L2S-4-7	6.00" HS-L2S-6-7

All dimensions in inches.

DEC. 2020



[www.halesoninc.com](http://www.halesoninc.com)