



P-GT200, STAINLESS STEEL GATE VALVE

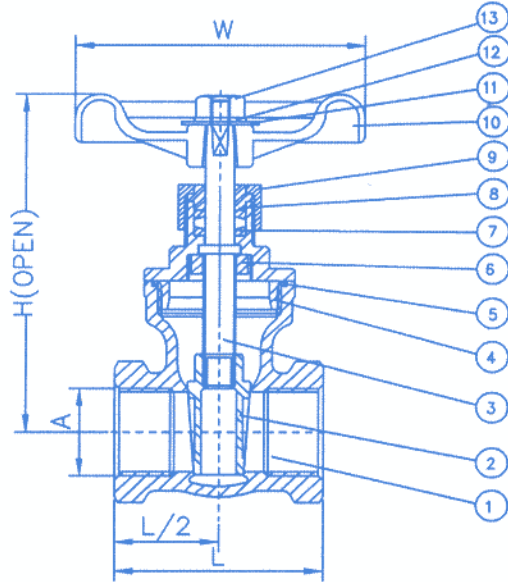
INVESTMENT CASTING, Max. working pressure : 200 PSI W.O.G.

Thread conform to ANSI B2.1, BS21 1973, DIN 259/2999

WITH SOLUTION HEAT TREATMENT , FIRE-SAFE : 1/2" - 2"

STAINLESS STEEL (ASTM-A351-CF8M)

- * Non-Rising Stem
- * Solid Wedge Disk
- * Screwed-In Bonnet
- * Hand Wheel Operation
- * 100% air tested under water, open and closed positions



SIZE	A	H	L	W	kgs
1/2	15	95	55	70	0.48
3/4	20	102	60	70	0.6
1	25	115	65	80	0.8
1 1/4	32	127	75	80	1.0
1 1/2	38	150	85	90	1.5
2	50	170	95	100	2.1

NO	PARTSNAME	SPECIFICATION	Q,TY
1	BODY	ASTM A-351 GR.CF8M	1
2	DISC	ASTM A-351 GR.CF8M	1
3	STEM	316	1
4	BONNET	ASTM A-351 GR.CF8M	1
5	GASKET PACKING	TEFLON	1
6	STEM HOLDER	316	1
7	STEM PACKING	TEFLON	1SET
8	GLAND	304	1
9	GLAND NUT	304	1
10	HANDLE WHEEL	MICO STEEL	1
11	NAME PLATE	ALUMINUM	1
12	HANDLE WHEEL WASHER	304	1
13	HANDLE WHEEL NUT	304	1

P-GB200, STAINLESS STEEL GLOBE VALVE

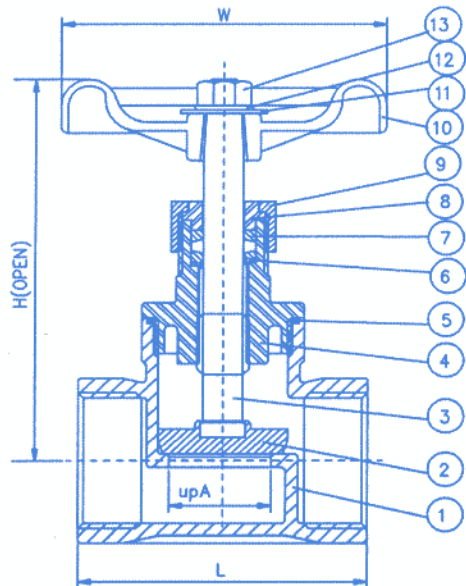
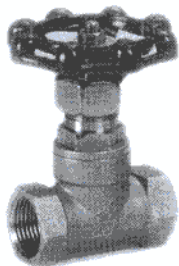
INVESTMENT CASTING, Max. Working Pressure : 200 PSI W.O.G.

Thread conform to ANSI B2.1, BS21 1973, DIN 259/2999

WITH SOLUTION HEAT TREATMENT , FIRE-SAFE : 1/4" - 2"

STAINLESS STEEL (ASTM-A351-CF8M)

- * Rising Stem
- * Solid Wedge Disc
- * Screwed-In Bonnet
- * Hand Wheel Operation
- * 100% air tested under water, open and closed positions



SIZE	A	L	W	H	kgs
1/4	11	52	89	57	0.33
3/8	11	52	89	57	0.31
1/2	12	52	89	57	0.31
3/4	15	60	97	70	0.5
1	20	72	107	80	0.7
1 1/4	25	80	125	90	1.0
1 1/2	32	91	140	90	1.3
2	38	101	165	100	1.8

NO	PARTSNAME	SPECIFICATION	Q,TY
1	BODY	ASTM A-351 GR.CF8M	1
2	DISC	316	1
3	STEM	316	1
4	BONNET	ASTM A-351 GR.CF8M	1
5	GASKET PACKING	TEFLON	1
6	WASHER	304	1
7	STEM PACKING	TEFLON	1SET
8	GLAND	304	1
9	GLAND NUT	316	1
10	HANDLE WHEEL	MICO STEEL	1
11	NAME PLATE	ALUMINUM	1
12	HANDLE WHEEL WASHER	304	1
13	HANDLE WHEEL NUT	304	1