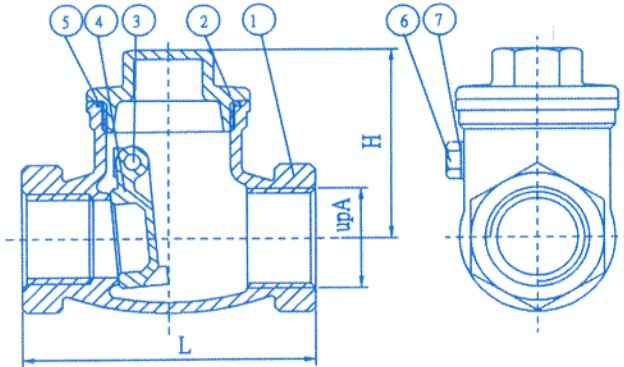
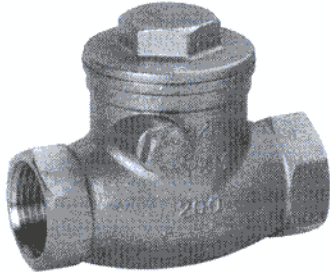




P-SC200, STAINLESS STEEL SWING CHECK VALVE
INVESTMENT CASTING, Max. working pressure : 200 PSI W.O.G.
Thread conform to ANSI B2.1, BS21 1973, DIN 259/2999
WITH SOLUTION HEAT TREATMENT , FIRE-SAFE : 3/8" - 3"
STAINLESS STEEL (ASTM-A351-CF8M)

- * Swing Type
- * Stainless steel Disc
- * Screwed-In Cap
- * 100% air tested under water, open and closed positions

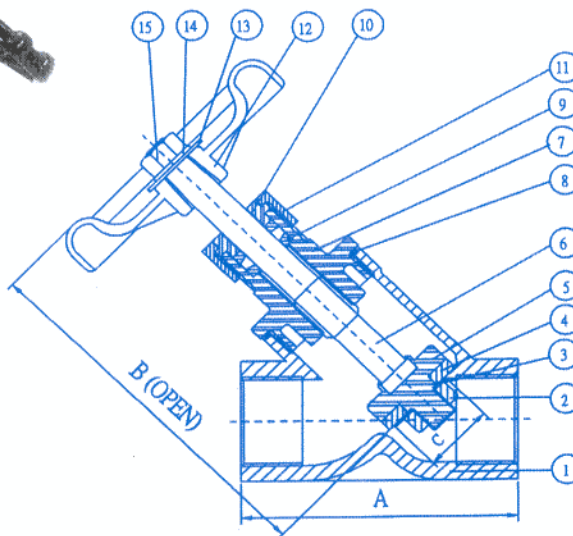


NO	PARTS NAME	SPECIFICATION	Q,TY
1	BODY	ASTM A-351 GR.CF8M	1
2	CAP	ASTM A-351 GR.CF8M	1
3	HANGER PIN	316	1
4	DISC	ASTM A-351 GR.CF8M	1
5	GASKET PACKING	TEFLON	1
6	PLUG	316	1
7	PLUG PACKING	TEFLON	1

SIZE	A	H	L	KGS
3/8	13	45	65	0.35
1/2	15	45	65	0.33
3/4	20	56	80	0.42
1	25	62	90	0.7
1 1/4	32	67	105	1.0
1 1/2	40	73	120	1.5
2	50	82	140	2.1
2 1/2	65	93	180	4.2
3	80	104	200	5.5

P-YGB800, STAINLESS STEEL Y-GLOBE VALVE
INVESTMENT CASTING, Max. Working Pressure : 800 PSI W.O.G.
Thread conform to ANSI B2.1, BS21 1973, DIN 259/2999
WITH SOLUTION HEAT TREATMENT , FIRE-SAFE : 1/4" - 2"
STAINLESS STEEL (ASTM-A351-CF8M)

- * Y-Type Rising Stem
- * Solid Wedge Disc
- * Screwed-In Bonnet
- * Hand Wheel Operation
- * 100% air tested under water, open and closed positions



SIZE	A	B	C	KGS
1/4	65	107	11	0.48
3/8	65	107	13	0.48
1/2	65	107	15	0.48
3/4	80	122	20	0.6
1	90	142	25	1.1
1 1/4	105	155	32	1.3
1 1/2	120	175	38	1.7
2	140	195	50	2.5

NO	PARTS NAME	SPECIFICATION	Q,TY
1	BODY	ASTM A-351 GR.CF8M	1
2	NUT	304	1
3	WASHER	304	1
4	SEAT	PTFE	1
5	DISC	316	1
6	STEM	316	1
7	BONNET	ASTM A-351 GR.CF8M	1
8	GASKET PACKING	PTFE	1
9	STEM PACKING	PTFE	1 SET
10	GLAND	304	1
11	GLAND NUT	304	1
12	HANDLE WHEEL	MICO STEEL	1
13	NAME PLATE	ALUMINUM	1
14	WASHER	304	1
15	NUT	304	1