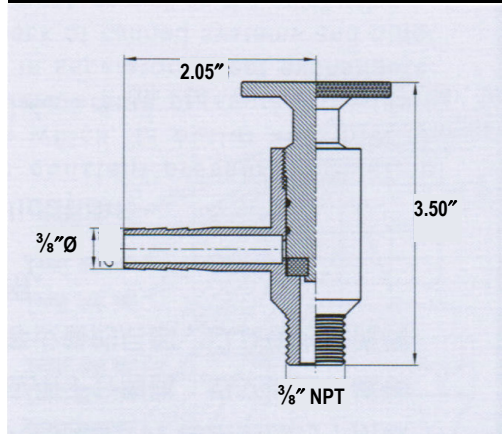


Sanitary Sample Valves

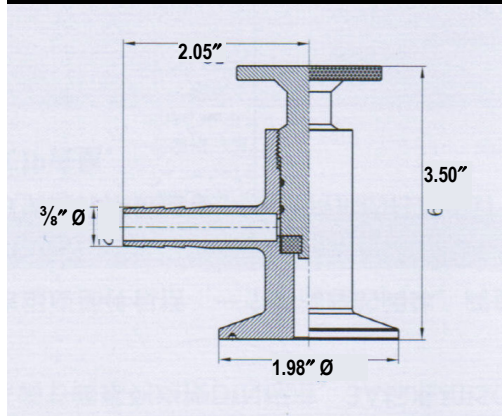
Thread Connection Sample Valve

HS-SAN-SV / RY04007



Clamp Connection Sample Valve

HS-SAN-SV / RY02003



- ◆ SS316L Construction
- ◆ Sanitary Polish
- ◆ Silicone Seat