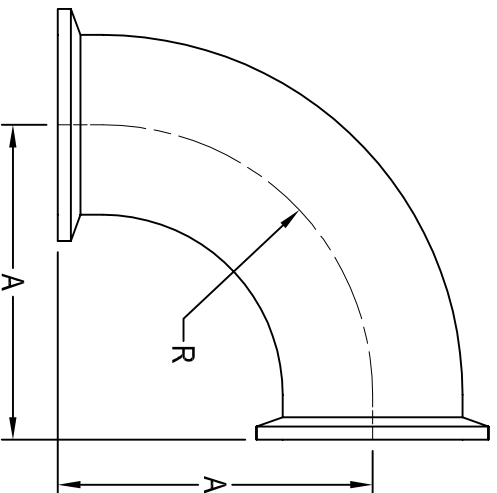


HS-2CAMP 90° CLAMP ELBOW



CLAMP SIZE	A	R	Wall Thickness	SS-304 Item No.	SS-316L Item No.
1/2"	1.625	1.125	0.065	0.50" HS-2CAMP-4-7	0.50" HS-2CAMP-6-7
3/4"	1.625	1.125	0.065	0.75" HS-2CAMP-4-7	0.75" HS-2CAMP-6-7
1"	2.000	1.500	0.065	1.00" HS-2CAMP-4-7	1.00" HS-2CAMP-6-7
1 1/2"	2.750	2.250	0.065	1.50" HS-2CAMP-4-7	1.50" HS-2CAMP-6-7
2"	3.500	3.000	0.065	2.00" HS-2CAMP-4-7	2.00" HS-2CAMP-6-7
2 1/2"	4.250	3.750	0.065	2.50" HS-2CAMP-4-7	2.50" HS-2CAMP-6-7
3"	5.000	4.500	0.065	3.00" HS-2CAMP-4-7	3.00" HS-2CAMP-6-7
4"	6.625	6.000	0.083	4.00" HS-2CAMP-4-7	4.00" HS-2CAMP-6-7
6"	9.750	9.000	0.109	6.00" HS-2CAMP-4-7	6.00" HS-2CAMP-6-7
8"	12.875	12.000	0.109	8.00" HS-2CAMP-4-7	8.00" HS-2CAMP-6-7
10"	15.875	15.000	0.109	10.00" HS-2CAMP-4-7	10.00" HS-2CAMP-6-7
12"	18.875	18.000	0.109	12.00" HS-2CAMP-4-7	12.00" HS-2CAMP-6-7

All dimensions in inches.

May 2020



www.halesoninc.com