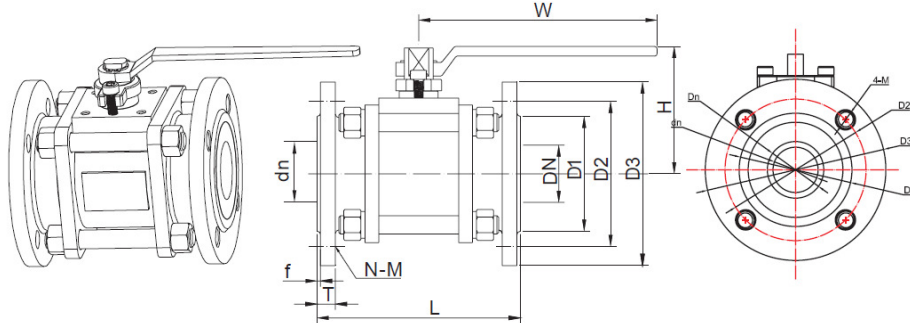


## HS Valves-Super Ceramics

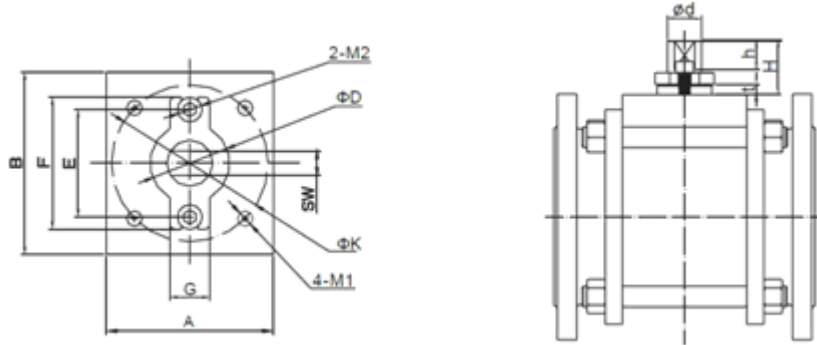
### Q41W-150LbSC-Ceramic Ball Valve – ANSI Class 150#



DN	DN												
Inch	mm	dn	L	W	H	D1	D2	D3	N-M	T	f	Kg	
1"	25	20	127	230	100	51	79.5	108	4-M12	11	1.6	4.3	
1½"	40	32	165	320	121	73	98.5	127	4-M12	14	1.6	9.3	
2"	50	40	178	320	140	92	120.5	152	4-M16	16	1.6	12.6	
2½"	65	50	190	320	158	105	139.5	178	4-M16	18	1.6	14.9	
3"	80	65	203	400	176	127	152.5	190	4-M16	19	1.6	22.3	
4"	100	80	229		202	157	190.5	229	8-M16	24	1.6	30	

Dimensions in mm

### Valve Torque & Actuator Connection Dimensions

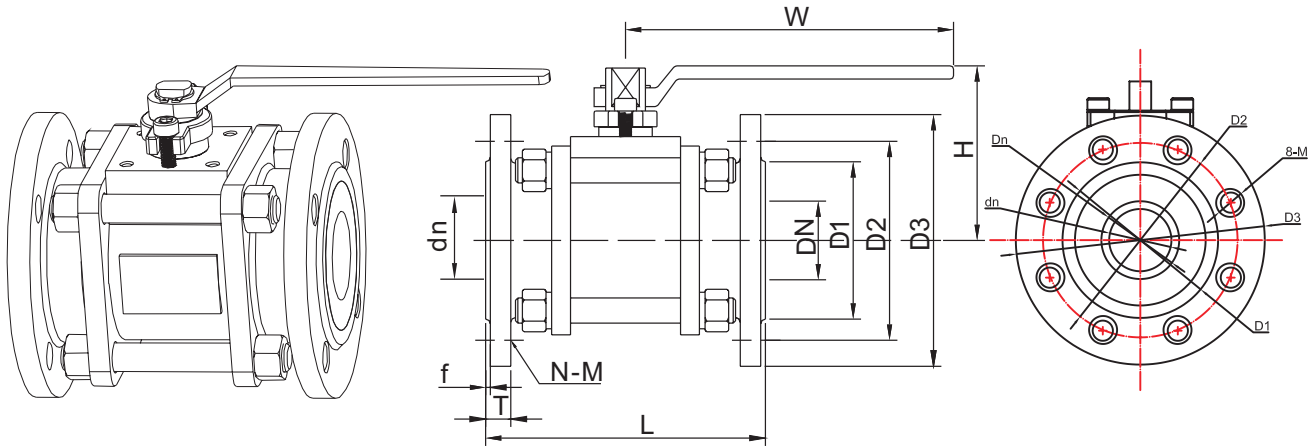


DN	DN	Torque N.m			A	B	ΦK	M1	L	E	F	G	M2	ΦD	t	Φd	SW	H	h
		ΔP 6bar	ΔP 10bar	ΔP 16bar															
1"	25	23	30	46	40	42	42	M5	15	30	40	14.5	M5	24	6	10	6.5	32	15
1½"	40	39	50	77	58	57	56	M6	20	46	56	19	M6	36	8	20	14	35	18
2"	50	50	60	92	70	71	70	M8	20	54	68	22	M8	42	8	20	14	40	20
2½"	65	68	85	130	80	88	80	M8	20	60	75	22	M8	42	8	20	14	44	24
3"	80	107	125	200	88	95	88	M10	20	60	78	24	M10	45	10	22	15	45	24
4"	100	133	165	240	109	119	102	M10	22	70	86	26	M10	52	10	30	22	52	28

Dimensions in mm

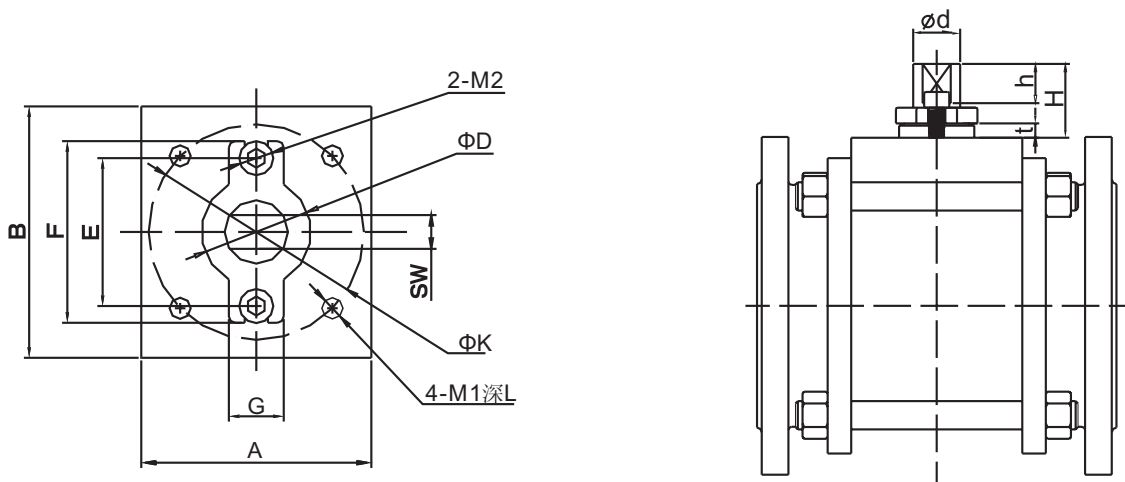
## HS Valves - Super Ceramics

### Q41W-150LbSC-Ceramic Ball Valve - ANSI Class 150#



DN	DN	dn	L	W	H	D1	D2	D3	N-M	T	f	Kg
Inch	mm											
6"	150	100	267		276	216	241.5	279	8-M20	25	1.6	54
8"	200	150	292		293	270	298.5	343	8-M20	29	1.6	76

### Valve Torque & Actuator Connection Dimensions



DN	$\Delta p$	Torque N·m	B	ΦK	M1	L	E	F	G	M2	ΦD	t	Φd	SW	H	h
Inch	mm	6bar 10bar 16bar														
6"	150	220 275 400	120	120	125	M12	22	70	115	30	M12	60	10	30	22	55 28
8"	200	300 380 550	140	148	125	M12	22	80	110	30	M12	65	10	30	22	60 28