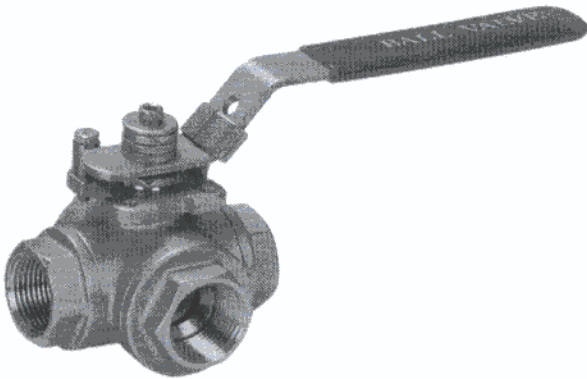




**P-3W1M, 3-WAY, 1000 WOG, STAINLESS STEEL BALL VALVE
INVESTMENT CASTING, REDUCED BORE, SCREWED ENDS**

Pipe thread in accordance with ANSI B2.1, BS21 1973, DIN 259/2999
With ISO 5211 MOUNTING PAD, LOCKING DEVICE



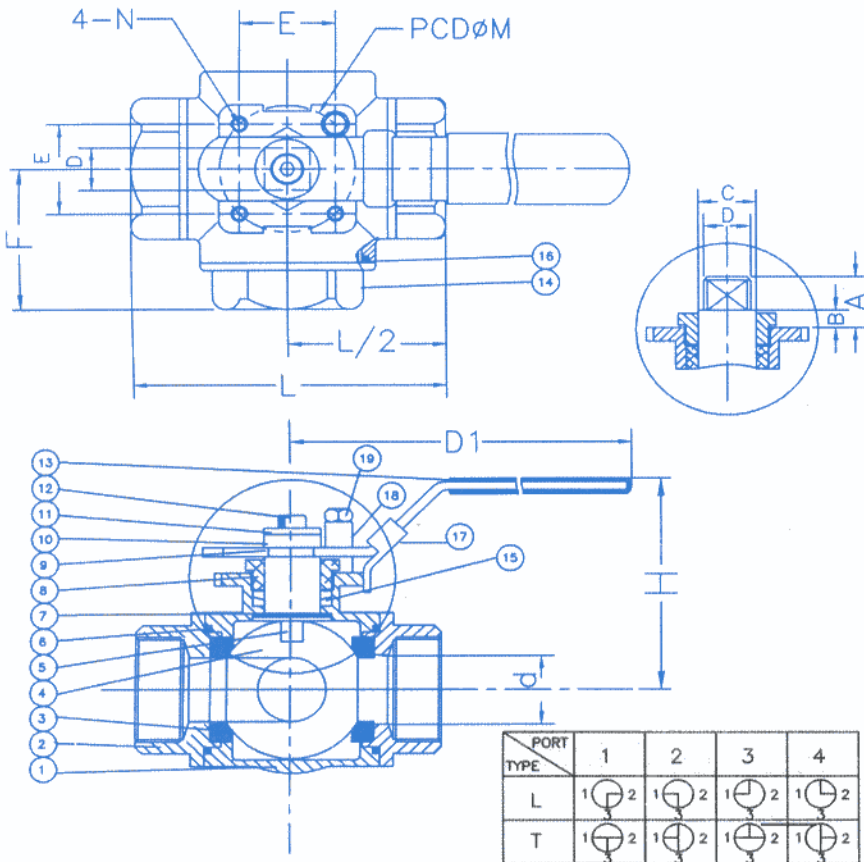
FEATURES :

- * MATERIAL :
STAINLESS STEEL (ASTM-A351-CF8M)
- * Blow-out-proof Stem Design * LEVER OPERATED
- * Anti-static device
- * Trim in AISI 316
- * 100% air tested under water, open and closed positions
- * AIR TEST : BODY = 80 PSI, SEAT = 80 PSI
- * HYDRAULIC TEST : BODY = 1500 PSI,
SEAT = 1500 PSI

OPTIONS :

- * Available in L Port , or T Port .

SIZE	d	L	H	D1	A	B	C	D	E	F	M	N	KGS	TORQUE INCH/LBS	
														START	OPERATIONAL
1/4"	11.0	69	58	106	11	6	12	9	29.7	35.1	42	M5*0.8	0.6	30	20
3/8"	11.0	69	58	106	11	6	12	9	29.7	35.1	42	M5*0.8	0.6	30	20
1/2"	12.7	75	61	138	11	6	12	9	29.7	38	42	M5*0.8	0.665	55	35
3/4"	16.0	86	74	138	13	6	15	11	35.4	43.8	50	M6*1	1.186	70	40
1"	20.0	101	81	162	19	7.5	15	11	35.4	50.3	50	M6*1	1.696	150	90
1-1/4"	25.0	115	88	162	19	7.5	15	11	35.4	57.5	50	M6*1	2.39	265	150
1-1/2"	32.0	125	104	220	23.5	8.5	15	11	49.5	64	70	M8*1.25	3.4	360	210
2"	38.1	149	110	220	24.5	8.5	18.5	14	49.5	75.5	70	M8*1.25	5.45	430	330



19	BOLT	AISI 304
18	STOP RING	AISI 304
17	LOCKING DEVICE	AISI 304
16	END SEALS	REINFORCED PTFE
15	STEM PACKINGS	REINFORCED PTFE
14	END CAP	ASTM A351 GRCF8M
13	PLASTIC COVER	PVC
12	HANDLE NUT	AISI 304
11	WASHER	AISI 304
10	HANDLE WASHER	AISI 304
9	HANDLE	AISI 304
8	GLAND	AISI 304
7	THRUST WASHER	REINFORCED PTFE
6	END SEALS	REINFORCED PTFE
5	STEM	AISI 316
4	BALL	ASTM A351 GRCF8M
3	BALL SEAT	REINFORCED PTFE
2	END CAP	ASTM A351 GRCF8M
1	BODY	ASTM A351 GRCF8M
NO	PART	MATERIAL

