



**P-M3M, 3-PIECE STAINLESS STEEL BALL VALVE
INVESTMENT CASTING, FULL BORE, 1000 PSI
WITH ISO 5211 MOUNTING PAD, LOCKING DEVICE**

**THREADED END
BUTT WELD END
SOCKET WELD**



FEATURES :

- * MATERIAL : STAINLESS STEEL AISI 316 (Din 1.4408)
CARBON STEEL S-45C(Din 1.1191)
- * Pipe threaded in accordance with ANSI B2.1, BS 21 1973, DIN 259/2999
- * Adjustable stem packing, In-Line repairable
- * Blow-out-proof stem design
- * Body, end caps, ball, quality investment casting
- * 100% air tested under water, open and closed positions

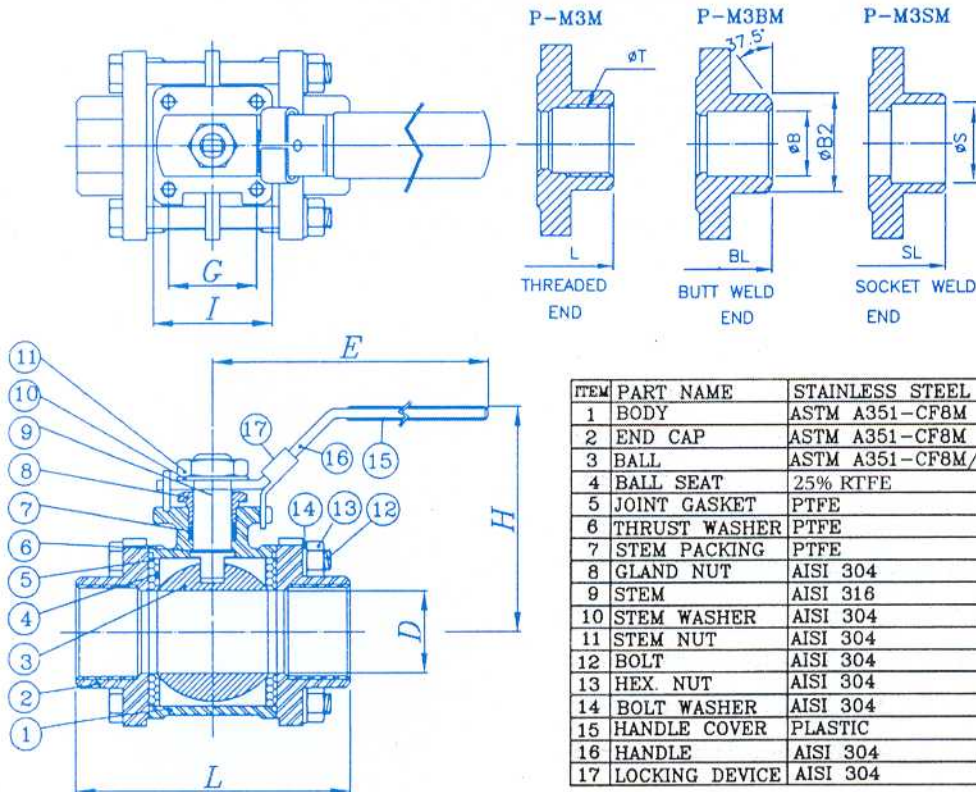
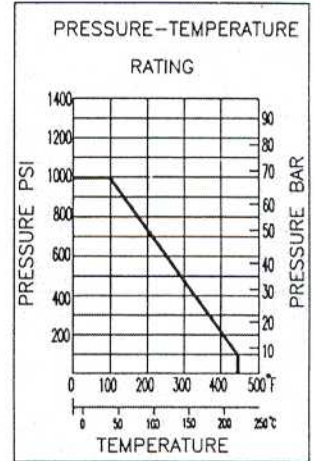
SPECIFICATIONS :

- * Working pressure : 1000 psi (69 BAR) W.O.G.
- * End types : Threaded, Butt Weld, Socket Weld Ends

OPTIONS :

- * Fire-Save Design Process
- * CF8M - Solution Heat Treatment, WCB - Normalizing Heat Treatment

SIZE	D	E	H	L	G	I	ØT	ØB	ØB2	ØS	Kg/W	ISO 5211	CV FACTOR	TORQUE INCH/LBS
1/4"	12.5	122	56	62	25.5	37		12.0	18	14.2	0.53	F03	6	50
3/8"	12.5	122	56	62	25.5	37	NPT	14.0	19.5	17.7	0.51	F03	7	50
1/2"	15	122	59	68	25.5	37		17.0	22	21.8	0.72	F03	10	90
3/4"	20	122	62	73	25.5	37	BSP	23.0	27.5	27.2	1.02	F03	25	100
1"	25	131	68	89	29.7	42		28.0	34.5	34.0	1.28	F04	35	120
1-1/4"	32	149	88	99	29.7	42	PT	35.5	40.5	42.5	2.13	F04	46	170
1-1/2"	38	181	100	115	35.5	50		43.0	47	49.0	2.6	F05	80	240
2"	50	181	108	130	35.5	50	PF	53.0	62.5	61.2	4.1	F05	110	480
2-1/2"	65	266	125	156	49.5	72		65.0	78	74.0	7.42	F07	310	648
3"	80	266	136	184	49.5	72		80.0	97.5	90.0	10	F07	360	1140
4"	100	266	160	226	72.1	95		100.0	130	115.5	21	F10	820	1464



ITEM	PART NAME	STAINLESS STEEL	CARBON STEEL	Q'TY
1	BODY	ASTM A351-CF8M	ASTM A216-WCB	1
2	END CAP	ASTM A351-CF8M	ASTM A216-WCB	2
3	BALL	ASTM A351-CF8M/316	CF8M OR CF8	1
4	BALL SEAT	25% RTFE	25% RTFE	2
5	JOINT GASKET	PTFE	PTFE	2
6	THRUST WASHER	PTFE	PTFE	1
7	STEM PACKING	PTFE	PTFE	2
8	GLAND NUT	AISI 304	AISI 304	1
9	STEM	AISI 316	AISI 316 OR AISI 304	1
10	STEM WASHER	AISI 304	AISI 304	1
11	STEM NUT	AISI 304	AISI 304	1
12	BOLT	AISI 304	AISI 304	4
13	HEX. NUT	AISI 304	AISI 304	4
14	BOLT WASHER	AISI 304	AISI 304	4
15	HANDLE COVER	PLASTIC	PLASTIC	1
16	HANDLE	AISI 304	AISI 304	1
17	LOCKING DEVICE	AISI 304	AISI 304	1

M3M-0804-REV1

Haleson