

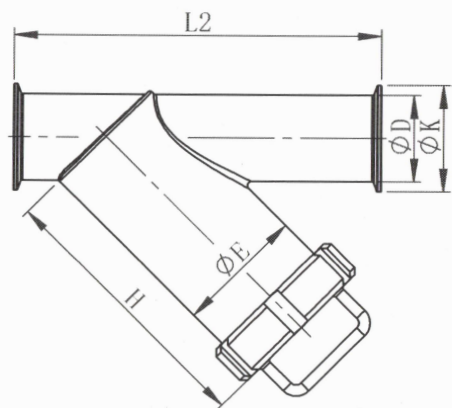


TITLE:
Y TYPE STRAINER PLATE & SCREEN
304/316L

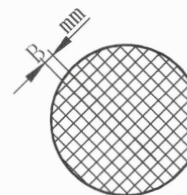
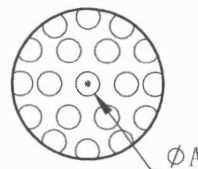
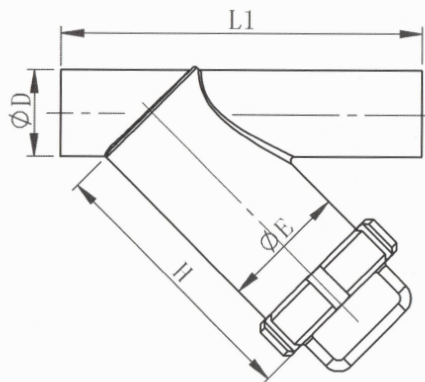
Sanitaire / Biopharma / Industriel
WWW.HALESONINC.COM
Tel. (450) 686-6663 Fax. (450) 686-7776
SCALE: NONE

SIZE A DRAWING NO. HS-YTYPE-STRAINER-PS REV 0
DATE: 22 JANUARY 2020 SHEET 1 OF 1

Clamped Y-type Strainer



Welded Y-type Strainer



Screen: Metal Mesh

MESH	B (mm)	USEFUL SURFACE (%)
30	0.55	48.0
40	0.40	46.0
60	0.30	52.6
80	0.20	42.0
100	0.15	36.2
165	0.10	45.5

Screen: Perforated Mesh

	A (mm)	USEFUL SURFACE (%)
	0.5	15
	1.0	28
	1.5	33
	2.0	30
	3.0	33
	5.0	46

SIZE	A	B	L	K*D				L1	H	E	L2	M	
				3A	ISO	DIN	DIN11850-2						
DN15	0.75"	34	55	95	25*19.05	25*19.05	34*18	34*19	120	98	45	145	M8*1.25
DN25	1.0"	34	55	95	50.5*25.4	50.5*25.4	50.5*28	50.5*29	120	98	45	145	M8*1.25
/	1.25"	34	65	95	/	50.5*31.8	/	/	150	98	51	165	M8*1.25
DN32	/	34	65	95	/	/	50.5*34	50.5*35	150	98	51	165	M8*1.25
DN40	1.5"	45	80	114	50.5*38.1	50.5*38.1	50.5*40	50.5*41	170	118	63	180	M8*1.25
DN50	2"	57	93	138	64*50.8	64*50.8	64*52	64*53	190	142	76	220	M8*1.25
/	2.5"	75	105	170	77.5*63.5	77.5*63.5	/	/	235	175	89	280	M8*1.25
DN65	/	75	105	170	/	/	91*70	91*70	260	195	102	280	M8*1.25
/	3"	75	120	191	91*76.2	91*76.2	/	/	280	195	102	350	M8*1.25
DN80	3.5"	89	124	220	/	106*89	106*85	106*85	280	226	114	350	M8*1.25
DN100	4"	113	160	252	119*101.6	119*101.6	119*104	119*104	345	258	140	500	M8*1.25
DN125	5"				/	145*127	155*129	155*129	485	320	180	528	
DN150	6"				167*152.4	167*152.4	183*154	183*154	545	360	210	588	
DN200	8"				217.7*203.2	217.7*203.2	233.5*204	233.5*204	740	500	300	783	

Y-TYPE FILTER INTERNAL

