

NON-RETURN VALVE



THE NON-RETURN VALVE

A non-return valve (or retaining valve) is used to control the direction of flow of a fluid. This device lets the fluid pass in one direction, while blocking it if the direction of the flow were to reverse.

It uses a guided valve with spring return.

DEFINOX non-return valves are designed to restore the nominal flow section, which guarantees a minimum pressure drop in the flow direction.



Non-return valve between flanges

Non-return valve clamp / clamp

Non-return valve tube outlet



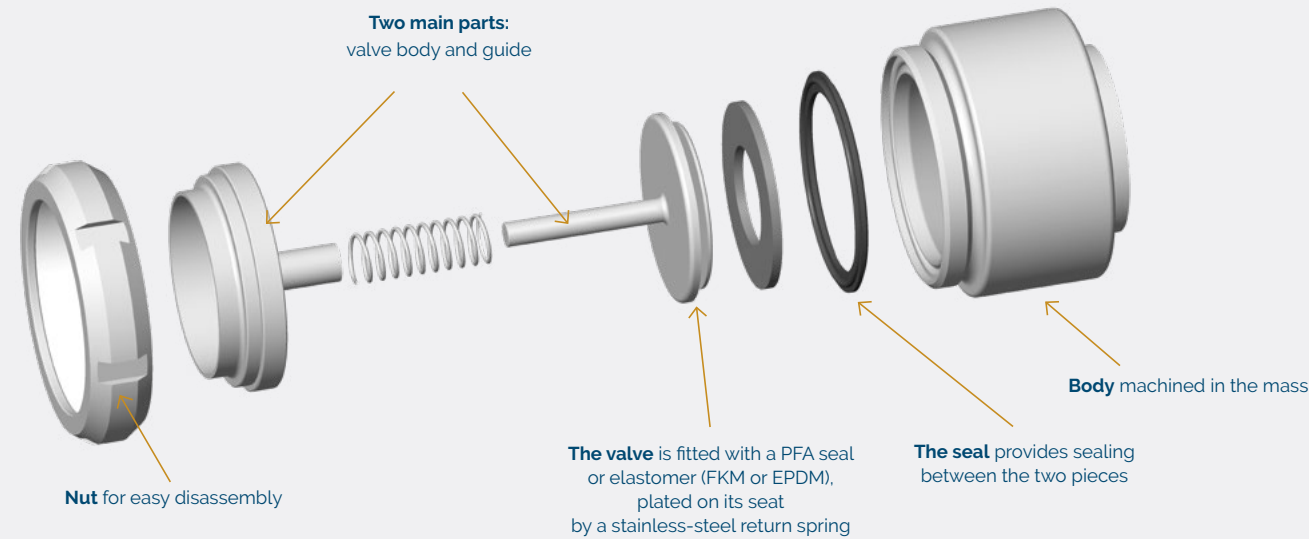
Disassembly is facilitated by a nut of hygienic design



Without retention zone



Reliability

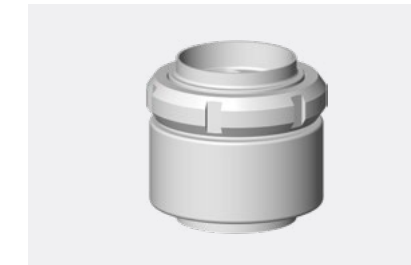


A COMPLETE RANGE

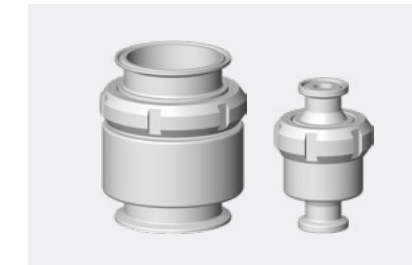
The wide range of DEFINOX non-return valves covers the majority of process line configurations, thanks to the different sealing versions and connection types available as standard.

3 TYPES OF CONNEXIONS

> to easily adapt to all configurations of process lines



TUBE OUTLET or standardized connection (SMS - DIN - US (ASME BPE))



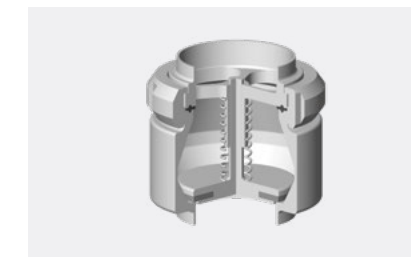
CLAMP / CLAMP



BETWEEN FLANGES

3 TYPES OF SEALS

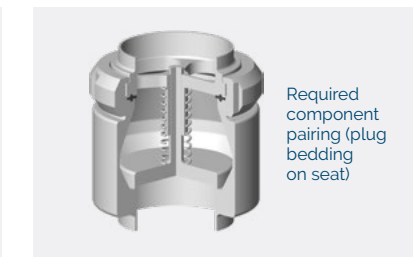
> according to service and cleaning conditions



Elastomer (EPDM or FKM)



PFA

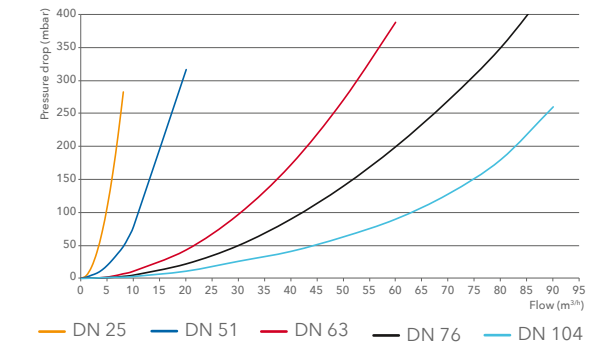


Metal / Metal

THE MATERIALS

- Body - valve: 1.4404 (AISI 316L)
- Flanges - Clamp: 1.4404 (AISI 316L)
- Plug seals: PFA - Elastomer (EPDM or FKM)
- Body seals: elastomer (EPDM or FKM)

PRESSURE DROP



TERMS OF SERVICE

- Maximum working pressure: 10 bar (145.1 psi)
- Maximum temperature: +120°C (248°F)
- Minimum temperature: 0°C

Ø CAR	Standard spring strength
DN1/2" / DN3/4"	0,2 bar
DN25 / DN38	0,08 bar
DN51	0,12 bar
DN63 / DN76	0,05 bar

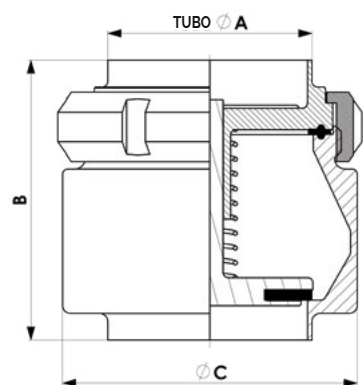
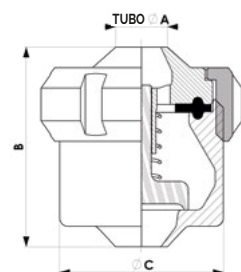


Its vertical installation avoids retentions and improves sealing

THE DIMENSIONS

Available from 1/2"

PTFE valve for DN 1/2" and 3/4"

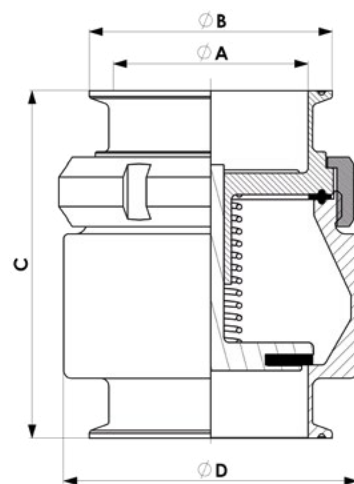
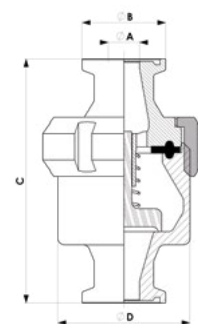


NON-RETURN VALVE TUBE OUTLET

SMS	DIN	US	TUBE Ø A	B	C	Weight in kg
		1/2"	12,7 x 1,65	49	40	0,3
		3/4"	19,05 x 1,65	49	40	0,3
25			25,4 x 1,65	75	60	0,65
		1"	25,4 x 1,65	75	60	0,65
	25		29 x 1,5	75	60	0,6
	32		35 x 1,5	71	60	0,8
38			38,1 x 1,65	71	60	0,82
		1 1/2"	38,1 x 1,65	71	60	0,82
	40		41 x 1,5	66	60	1
51			50,8 x 1,65	75	74	1,1
		2"	50,8 x 1,65	75	74	1,1
	50		53 x 1,5	75	74	1,05
63			63,5 x 1,65	109	110	2,66
		2 1/2"	63,5 x 1,65	109	110	2,66
	65		70 x 2	105	110	2,63
76			76,1 x 1,6	105	110	2,31
		3"	76,1 x 1,6	105	110	2,31
	80		85,5 x 2,25	128	148	3,82
		4"	101,6 x 2,1	124	148	4,43
104	100		104 x 2	124	148	4,4
	125		129 x 2	142	178	5,6

Available from 1/2"

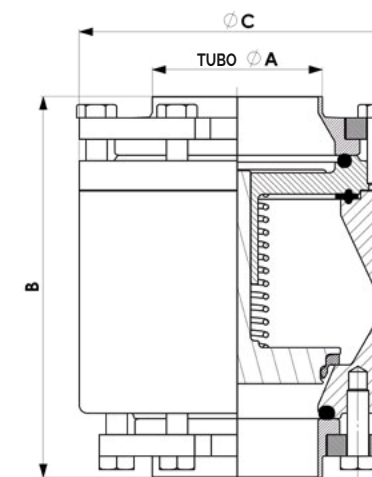
PTFE valve for DN 1/2" and 3/4"



NON-RETURN VALVE CLAMP / CLAMP

SMS	DIN	US	Ø A	Ø B	C	Ø D	Weight in kg
		1/2"	9,4	25,3	75	40	0,35
		3/4"	15,75	25,5	75	40	0,35
25			22	50,4	10	60	0,77
		1"	22	50,4	10	60	0,77
	25		25,9	50,5	105	60	0,63
	32		32	50,5	101	60	0,9
38			34,8	50,4	96	60	0,91
		1 1/2"	34,8	50,4	96	60	0,91
	40		37,9	50,5	96	60	1,08
51			47,5	63,9	100	74	1,22
		2"	47,5	63,9	100	74	1,22
	50		50	64	105	74	1,16
63			60,2	77,4	134	110	2,81
		2 1/2"	60,2	77,4	134	110	2,81
	65		66	91	145	110	2,95
76			72,9	90,9	130	110	2,5
		3"	72,9	90,9	130	110	2,5
	80		81	106	168	148	4,2
		4"	97,4	118,9	155	148	4,79
104	100		100	119	174	148	4,8

NON-RETURN VALVE BETWEEN FLANGES



SMS	DIN	US	TUBE Ø A	B	C	Weight in kg
25			25,4 x 1,625	103	78	2,15
		1"	25,4 x 1,625	103	78	2,15
	25		29 x 1,475	103	78	2,16
38			38,1 x 1,625	103	78	2,06
		1 1/2"	38,1 x 1,625	103	78	2,06
	40		41 x 1,475	103	78	2,03
51			50,8 x 1,625	106	89	2,54
		2"	50,8 x 1,625	106	89	2,54
	50		53 x 1,475	106	89	2,5
63			63,5 x 1,62	142	118	5,4
		2 1/2"	63,5 x 1,62	142	118	5,4
	65		70 x 2	142	118	5,5
76			76,1 x 1,6	142	118	5,35
		3"	76,1 x 1,6	142	118	5,35
	80		85 x 2	152	150	7,42
		4"	101,6 x 2,075	152	150	7,28
104	100		104 x 1,975	152	150	7,22
	125		129 x 1,975	169	178	12,18



TEST, DOWNLOAD, SCAN...

The augmented reality developed by DEFINOX for more services.

- Immediate identification of the non-return valve and spare parts.
- Save time in managing the stock of equipment.
- Reduced risk of errors.
- Immediate access to documentation.
- Individualized monitoring of the non-return valve with the service book function.

NEW



www.definox.com

DEFINOX Inc - New Berlin - 53151 WISCONSIN
USA - Tél. +1 262-797-5730
sales@definox-usa.com

DEFINOX SAS - 44190 CLISSON
FRANCE - Tél. +33 (0)2 28 03 98 50
info@definox.com

DEFINOX Beijing - Stainless Steel Equipment Ltd
BEIJING 100085 - CHINA - Tél. +86 10-6293-4909
msn@definox.com.cn