

# Security device

## Vacuum pressure relief valve

### Design

DEFINOX offers two models of pressure/vacuum valve:

- a compact valve with a 2" or 2" 1/2 clamp connection or DIN 50 socket,
- a 4" valve with a clamp connection. This model is equipped with a manual forced opening device.

These valves are available in the following pressure/vacuum ranges:

- vacuum: 30 mbar,
- pressure: 0.05 to 2 bar, depending on the spring.

They are made of 316L stainless steel and equipped with a PTFE plug and silicone seal to avoid sticking. The discharge from these valves is not channelled.



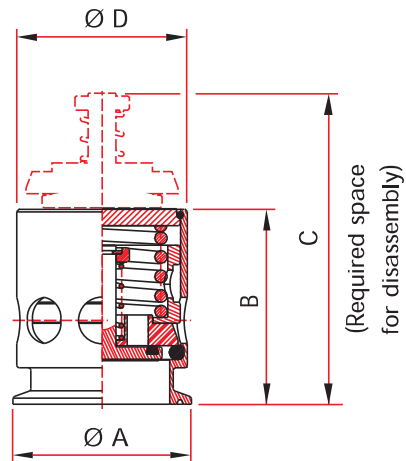
### List of vacuum pressure relief valve springs

Pressure		Vacuum pressure relief valve	
in bar	in psi	2" & 2" 1/2 clamp - DN 50 DIN	4" clamp
0,2	2,8		7007824
0,5	7		7601117
0,7	9,8	7007816	
1	14	7007817	7007808
1,2	16,8		
1,3	18,2		7007803
1,4	19,6	7007818	
1,7	23,8		7007794
1,8	25,2	7007819	
2	28		7007789
2,5	35	7007820	
2,75	38,5		7007829
3	42		
Vacuum			
0,03	0,42	7007729	7007814

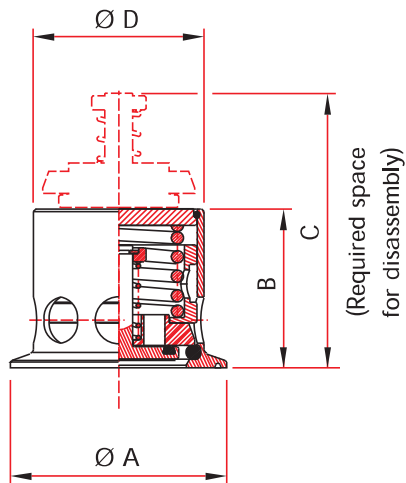
# Security device Vacuum pressure relief valve

## Dimensions

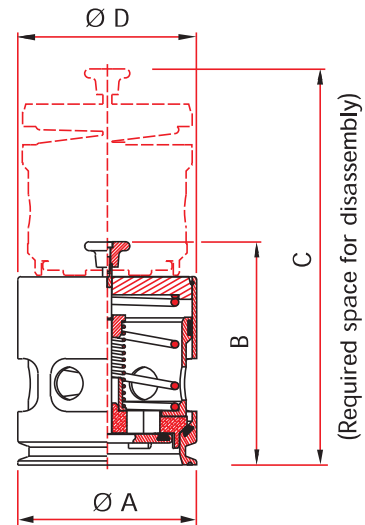
**2" clamp valve**



**2" 1/2 clamp valve**



**4" clamp valve**



DN		Ø A	B	C	Ø D	Weight in kg
DIN	US					
	2"	64	70	112	61	0,58
50		68	57	106	61	0,73
	2"1/2	77,5	57	99	61	0,53
	4"	119	151	270	119	4,07

## Working conditions

FOR ALL DIAMETERS OF VACUUM PRESSURE RELIEF VALVE	
Maximum temperature: +80 °C	Minimum temperature: 0 °C