

UNIBLOC[®]-PD *Haleson* HS

Meat & Poultry Pumps



UNIBLOC[®]-PUMP

www.halesoninc.com / info@halesoninc.com

DuraCore® Rotors

DuraCore rotors combine QuickStrip rotor technology with the uncompromised strength of stainless steel. The patented DuraCore rotors utilize plastic front and back wear pads and a stainless steel center, merging durability with affordability.



DuraCore® MD
Metal Detectable Rotors

Metal Detectable **NEW!**

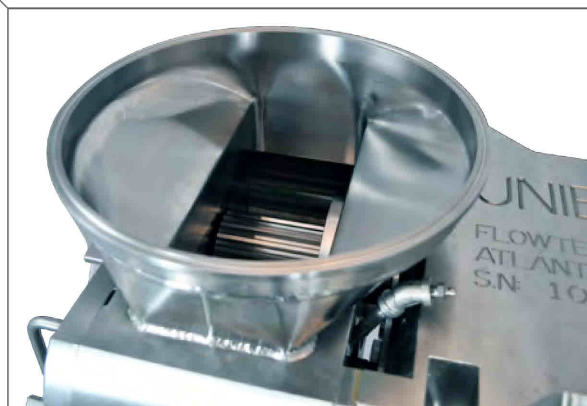
Both DuraCore and PolyFlex rotors are available in metal detectable (MD) material. DuraCore MD and PolyFlex MD offer the same benefits of their standard versions with the added benefit and safety of metal detectable material.



UNIBLOC-PD
with Clamp Inlet

Pump Innovations

- Fully machined stainless construction
- Stainless, plastic or hybrid rotors available
- Front loaded shaft seals
- Various inlet types and custom options
- Sanitary, easy-clean design
- Horizontal or vertical mounting



Sizes & Availability

Pump Size	Outlet Size	Inlet Port Style		Displacement		Max Capacity*	
		Clamp	Rectangular	Gal/100 Rev	L/100 Rev	Lbs/Hr	Kg/Hr
350	1.5" or 2.0"	✓		4	15	3,600	1,630
450	2.0"	✓		11	42	9,000	4,080
500	2.5"	✓	✓	22	83	18,000	8,170
550	3.0"	✓	✓	29	110	22,000	9,980
575	3.0" or 4.0"	✓	✓	36	136	27,000	12,250
602	4.0"	✓	✓	57	216	45,000	20,410
652	4.0" or 6.0"	✓	✓	83	314	72,000	32,660

* Based on meat density of 7.5 lbs/gal or 0.9 kg/l

Designed for Meat & Poultry

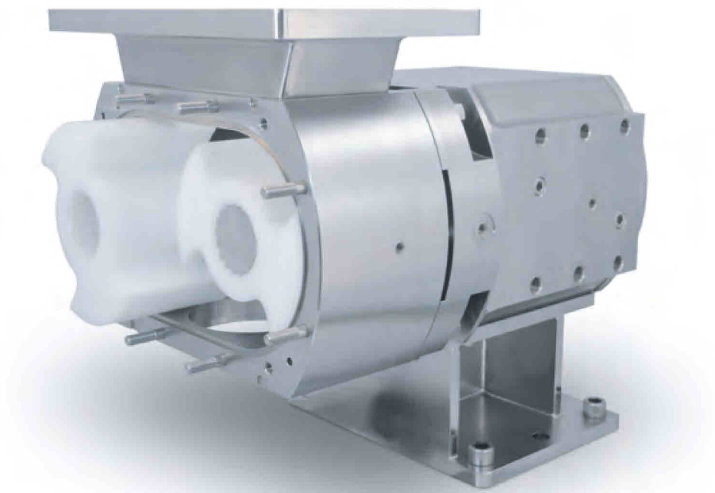
Meat & Poultry processing creates a challenging environment for pumps and equipment. Reliability, performance and the ability to withstand daily sanitation are essential. Unibloc-Pump has developed a network of pumps and patented features specifically designed to withstand these challenges and offer a longer lasting, more cost effective and easy to maintain pump.

Rotor Innovations



QuickStrip® Rotor Technology

The first of its kind, the patented Unibloc® QuickStrip rotor technology offers the ultimate in fast, no-tools-required cleaning and maintenance. Specialized rotors and shafts allow QuickStrip rotors to easily mount and dismount without the need for tools, simplifying the cleaning process and significantly minimizing wear and tear from daily sanitation and maintenance.



UNIBLOC-PD with Rectangular Inlet & QuickStrip® Rotors



PolyFlex® & PolyFlex® MD
Plastic Rotors

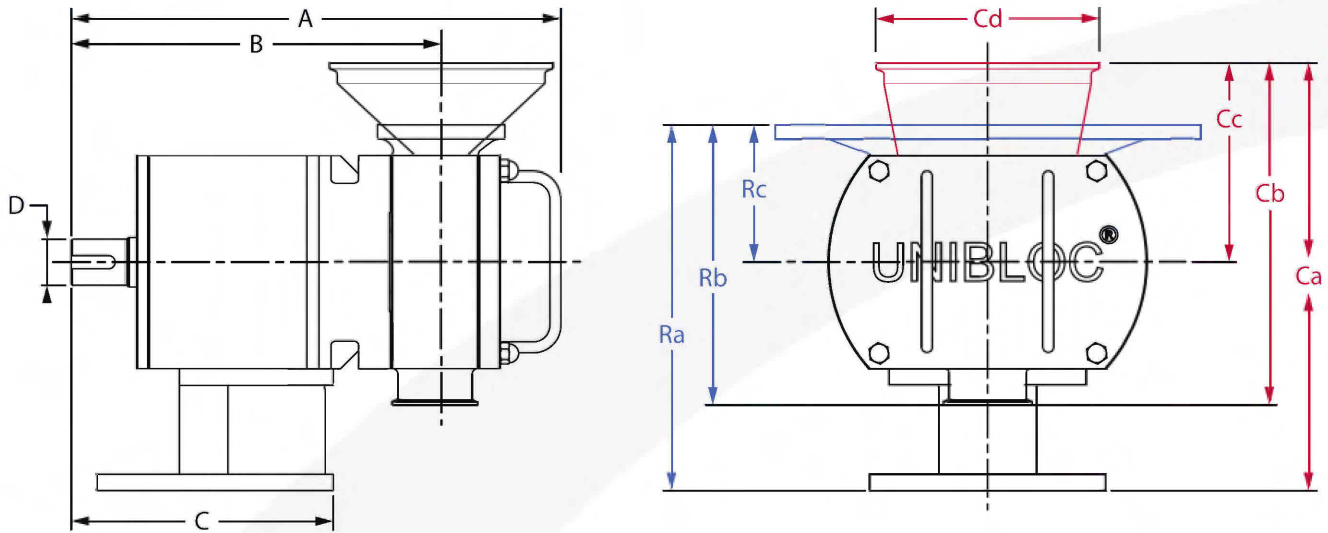
PolyFlex® Rotors

PolyFlex rotors offer an easy to remove and easy to clean rotor design. Composed of food grade plastic, PolyFlex rotors are durable, long lasting and have been the reliable standard for meat processing applications for nearly 20 years.

Dimensions

Model		A	B	C	D	Clamp Inlet				Rectangular Inlet			Outlet Size
						Ca	Cb	Cc	Cd	Ra	Rb	Rc	
350	IN	10	7.6	5	0.75	9.5	8	5.1	4	--	--	--	1.5" or 2.0"
	MM	254	194	127	19	241	203	130	102	--	--	--	
450	IN	12.8	9.8	7.3	.94	12.2	10	6.3	6	--	--	--	2.0"
	MM	325	249	185	24	310	254	159	152	--	--	--	
500	IN	17.6	13.3	9.4	1.65	16.2	13.1	8	8	13.1	10.3	4.9	2.5"
	MM	446	337	239	42	411	333	203	203	333	262	125	
550	IN	18.2	13.6	9.4	1.65	16.2	13.1	8	8	13.1	10.3	4.9	3.0"
	MM	462	345	239	42	411	333	203	203	333	262	125	
575	IN	18.9	14	9.4	1.65	16.2	13.1	8	8	13.1	10.3	4.9	3.0" or 4.0"
	MM	480	356	239	42	411	333	203	203	333	262	125	
602	IN	28.8	22.6	16.5	2.76	21.4	17.5	9	12	18.9	15.1	6.5	4.0"
	MM	732	574	418	70	543	445	228	305	480	382	165	
652	IN	30	23.5	16.5	2.76	21.4	17.5	9	12	21.2	17.8	8.8	4.0" or 6.0"
	MM	762	597	418	70	543	445	228	305	539	452	224	

*Dimensions are subject to change without notice.



UNIBLOC[®]-PUMP

Haleson

Tech Support : Eastern Canada (450) 686-6663
 Western Canada (604) 317-1447
 Ontario (905) 808-7716