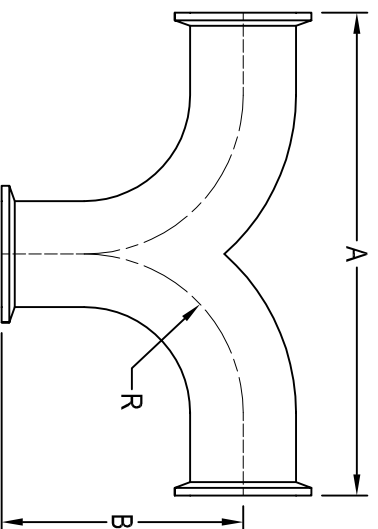


## HS-2YC LINE SPLITTER



CLAMP SIZE	A	B	R	Wall Thickness	SS-304 Item No.	SS-316L Item No.
1"	5.000	2.500	.500	0.065	1.00" HS-2YC-4-7	1.00" HS-2YC-6-7
1½"	6.625	3.313	2.250	0.065	1.50" HS-2YC-4-7	1.50" HS-2YC-6-7
2"	9.125	4.563	3.000	0.065	2.00" HS-2YC-4-7	2.00" HS-2YC-6-7
2½"	11.125	5.563	3.750	0.065	2.50" HS-2YC-4-7	2.50" HS-2YC-6-7
3"	13.375	6.686	4.500	0.065	3.00" HS-2YC-4-7	3.00" HS-2YC-6-7
4"	17.625	8.813	6.000	0.083	4.00" HS-2YC-4-7	4.00" HS-2YC-6-7

All dimensions in inches.

May 2020



[www.halesoninc.com](http://www.halesoninc.com)