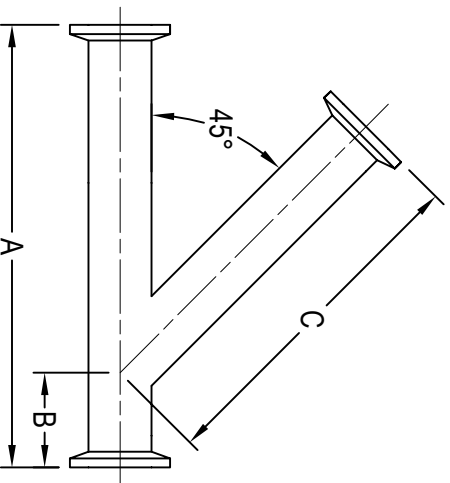


## HS-28AMP CLAMP LATERAL "Y"



CLAMP SIZES	A	B	C	Wall Thickness	SS-304 Item No.	SS-316L Item No.
1/2"	7.000	1.500	5.500	0.065	0.50" HS-28AMP-4-7	0.50" HS-28AMP-6-7
3/4"	7.000	1.500	5.500	0.065	0.75" HS-28AMP-4-7	0.75" HS-28AMP-6-7
1"	7.000	1.500	5.500	0.065	1.00" HS-28AMP-4-7	1.00" HS-28AMP-6-7
1 1/2"	8.375	1.688	6.688	0.065	1.50" HS-28AMP-4-7	1.50" HS-28AMP-6-7
2"	9.750	2.125	7.625	0.065	2.00" HS-28AMP-4-7	2.00" HS-28AMP-6-7
2 1/2"	11.000	2.000	9.000	0.065	2.50" HS-28AMP-4-7	2.50" HS-28AMP-6-7
3"	11.750	2.375	9.375	0.065	3.00" HS-28AMP-4-7	3.00" HS-28AMP-6-7
4"	14.062	2.687	11.375	0.083	4.00" HS-28AMP-4-7	4.00" HS-28AMP-6-7
6"	17.625	4.375	13.250	0.109	6.00" HS-28AMP-4-7	6.00" HS-28AMP-6-7

All dimensions in inches.

JAN. 2021



[www.halesoninc.com](http://www.halesoninc.com)