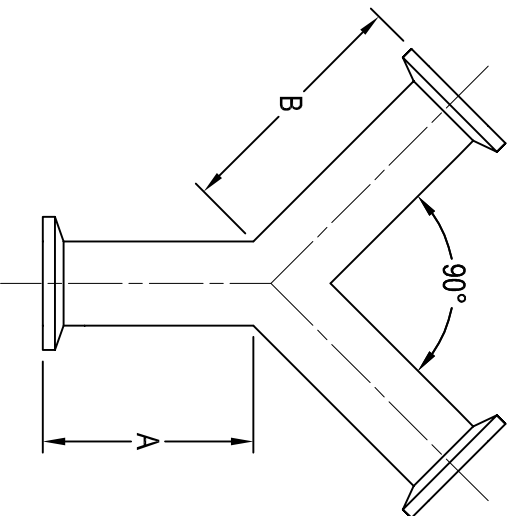


HS-28BMP CLAMP TRUE "Y"



CLAMP SIZE	A	B	Wall Thickness	SS-304 Item No.	SS-316L Item No.
1/2"	2.500	2.875	0.065	0.50" HS-28BMP-4-7	0.50" HS-28BMP-6-7
3/4"	2.500	2.875	0.065	0.75" HS-28BMP-4-7	0.75" HS-28BMP-6-7
1"	2.500	2.875	0.065	1.00" HS-28BMP-4-7	1.00" HS-28BMP-6-7
1 1/2"	2.500	2.938	0.065	1.50" HS-28BMP-4-7	1.50" HS-28BMP-6-7
2"	3.125	3.750	0.065	2.00" HS-28BMP-4-7	2.00" HS-28BMP-6-7
2 1/2"	3.870	4.625	0.065	2.50" HS-28BMP-4-7	2.50" HS-28BMP-6-7
3"	4.500	5.375	0.065	3.00" HS-28BMP-4-7	3.00" HS-28BMP-6-7
4"	6.000	7.185	0.083	4.00" HS-28BMP-4-7	4.00" HS-28BMP-6-7
6"	7.000	8.688	0.109	6.00" HS-28BMP-4-7	6.00" HS-28BMP-6-7

All dimensions in inches.

May 2020



www.halesoninc.com