

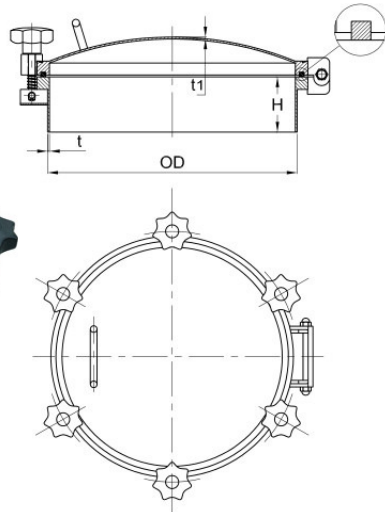
Haleson



Tank Equipment

Équipements pour Réservoir

www.halesoninc.com



Round Manway With Pressure

No. HS-13011/SS

Size in	Size mm	OD mm	t mm	H mm	t1 mm	Handwheel Number	Max Pres (Bar)
8"	200	206	3	100	3	4	1.0
12"	300	306	3	100	3	4	1.0
14"	350	356	3	100	3	5	1.0
16"	400	406	3	100	3	6	1.0
17"	430	436	3	100	3	6	0.9
18"	450	456	3	100	3	6	0.8
20"	500	508	4	100	3	6	0.6
24"	600	608	4	100	4	6	0.5

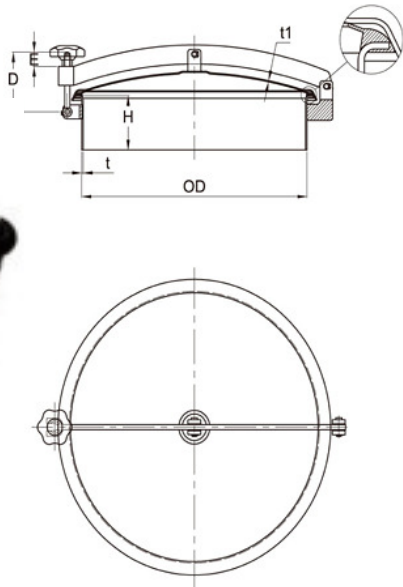
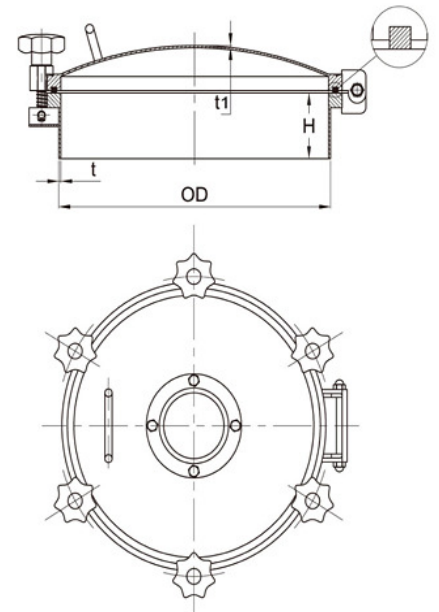
Maximum Pressures at Ambient Temperature

Round Manway With Pressure With Sight Glass

No. HS-13012/SS

Size in	Size mm	OD mm	t mm	H mm	t1 mm	Sight Glass mm	Max Pres (Bar)
8"	200	206	3	100	3	DN65	0.3
12"	300	306	3	100	3	DN65	0.3
14"	350	356	3	100	3	DN80	0.3
16"	400	406	3	100	3	DN80	0.3
17"	430	436	3	100	3	DN80	0.3
18"	450	456	3	100	3	DN100	0.3
20"	500	508	4	100	3	DN125	0.3
24"	600	608	4	100	4	DN150	0.3

Maximum Pressures at Ambient Temperature



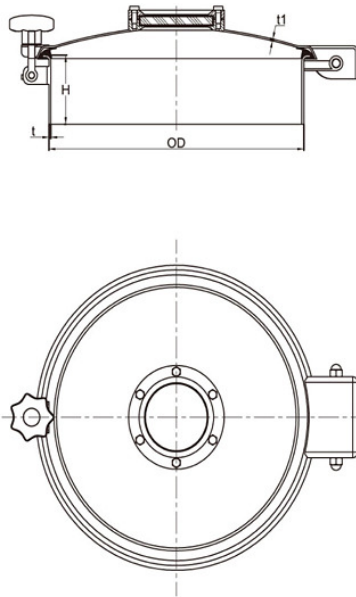
Round Manway Without Pressure

No. HS-13013/SS

Size in	Size mm	OD mm	t mm	H mm	t1 mm	Max Pres (Bar)
8"	200	200	2.5	100	2	0.1
8.6"	219	219	2.5	100	2	0.1
12"	300	300	2.5	100	2	0.1
14"	350	350	2.5	100	2	0.05
16"	400	400	3	100	2.5	0.05
17"	430	430	3	100	2.5	0.
18"	450	450	3	100	2.5	0.
20"	500	500	3	100	2.5	0.
24"	600	600	3	100	2.5	0.
16.5"x12"	420x300(Oval)	420x300	3	100	2.5	0.1

Maximum Pressures at Ambient Temperature





**Round Manway Without Pressure
With Sight Glass**

No. HS-13014/SS

Size in	Size mm	OD mm	t mm	H mm	t1 mm	Sight Glass mm	Max Pres (Bar)
14"	350	355	2.5	100	2.5	DN80	0.05
16"	400	406	3	100	3	DN80	0.05
18"	450	456	3	100	3	DN80	0.
20"	500	508	3	100	3	DN125	0.
24"	600	608	3	100	3	DN150	0.

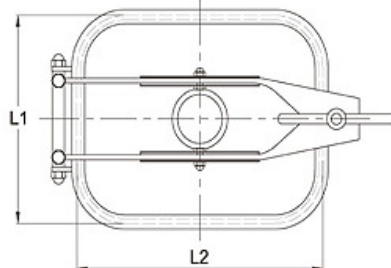
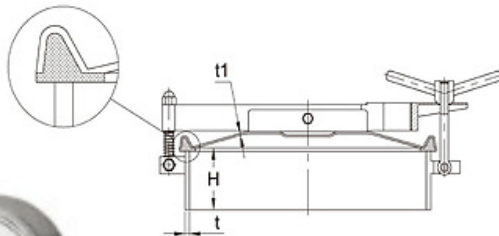
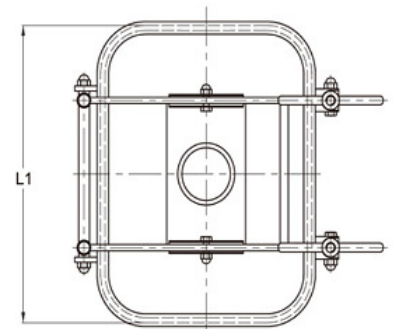
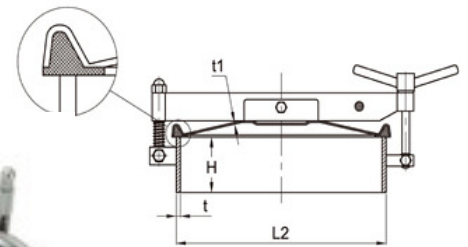
Maximum Pressures at Ambient Temperature

**Rectangular Manway With Pressure
Two Locks Design**

No. HS-13015/SS

Size in	Size mm	OD L1xL2	t mm	H mm	t1 mm	Max Pres (Bar)
9.3"x7.3"	235x185	235x185	5	70	1.5	2.0
17.1"x13.2"	435x335	435x335	8	80	3	0.7
21.1"x17.1"	535x435	535x435	10	100	3	0.6
27.6"x19.7"	700x500	700x500	12	100	3	0.3

Maximum Pressures at Ambient Temperature



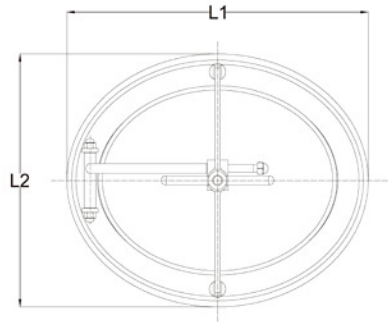
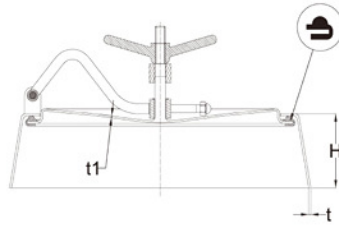
**Rectangular Manway With Pressure
One Lock Design**

No. HS-13016/SS

Size in	Size mm	OD L2xL1	t mm	H mm	t1 mm	Max Pres (Bar)
9.3"x7.3"	235x185	235x185	5	70	1.5	1.5
17.1"x13.2"	435x335	435x335	8	80	3	0.5
21.1"x17.1"	535x435	535x435	10	100	3	0.3
27.6"x19.7"	700x500	700x500	12	100	3	0.1

Maximum Pressures at Ambient Temperature





**Shadowless Oval Inward Manway
With Pressure**

No. HS-13017/SS

Size in	Size mm	OD mm L1xL2	t mm	H mm	t1 mm	Max Pres (Bar)
21.6"x17.7"	550x450	550x450	4	80	3	3.0
21.6"x17.7"	550x450	550x450	5	80	4	3.0
22.2"x18.3"	565x465	565x465	5	100	4	3.0
22.8"x18.9"	580x480	580x480	5	133	4	3.0

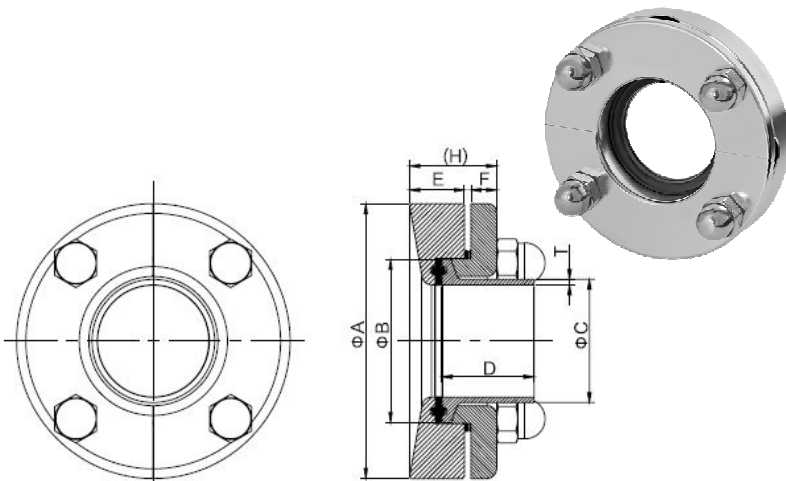
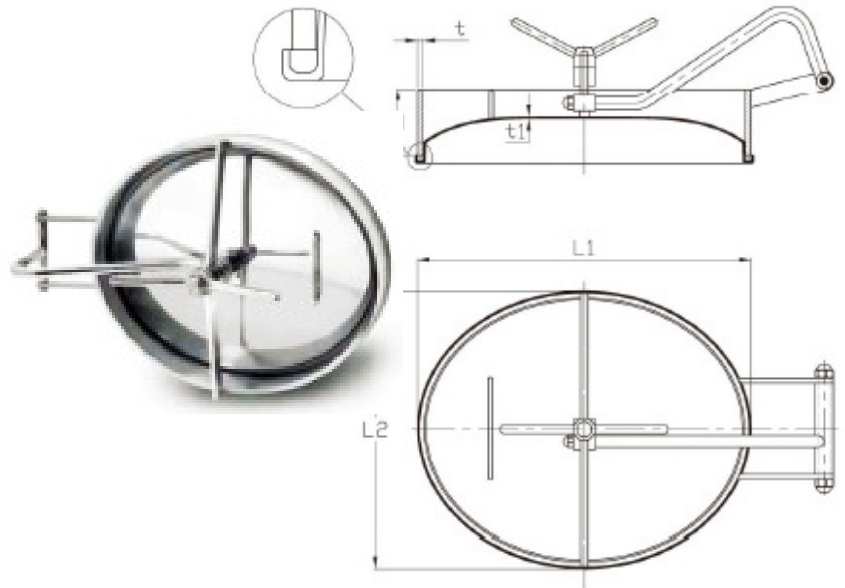
Maximum Pressures at Ambient Temperature

**Oval Inward Manway
With Pressure**

No. HS-13018/SS

Size in	Size mm	OD mm L1xL2	t mm	H mm	t1 mm	Max Pres (Bar)
16.9"x13"	430x330	430x330	8	75	2.5	3.0
17.1"x13.2"	435x335	435x335	10	75	2.5	3.0
17.7"x14.2"	450x350	450x350	8	75	3	3.0
20.9"x16.9"	530x430	530x430	10	75	3	2.5
21.1"x17.1"	535x435	535x435	12	75	3	2.5
25"x20.7"	635x525	635x525	12	80	3	2.0

Maximum Pressures at Ambient Temperature



Aseptic Connect

No. HS-15011/SS

Size in	Size mm	A mm	B mm	C mm	T mm	D mm	E mm	F mm	H mm
1"	DN25	85	50.5	25.4	1.65	28.6	15	6	23.5
1.25"	DN32	85	50.5	31.8	1.65	28.6	15	6	23.5
1.5"	DN40	85	50.5	38.1	1.65	28.6	15	6	23
2"	DN50	100	64	50.8	1.65	28.6	16	6	24
2.5"	DN65	112	77.5	63.5	1.65	28.6	16	8	26
3"	DN80	132	91	76.2	1.65	28.6	18	10	30
3.5"	DN90	145	106	88.9	2.0	28.6	18	10	30
4"	DN100	170	119	101.6	2.1	28.6	20	10	32