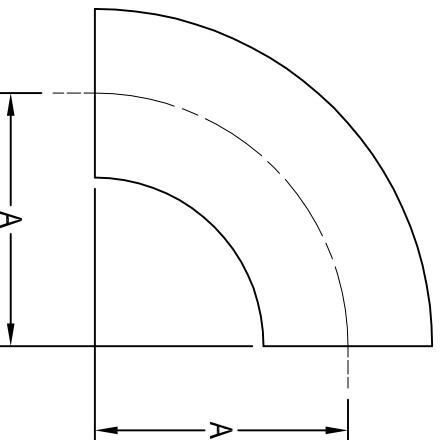


## HS-2WCL 90° WELD ELBOW (SHORT)



TUBE OD	A	Wall Thickness	SS-304 Item No.	SS-316L Item No.
1/2"	1.125	.065	0.50" HS-2WCL-4-7	0.50" HS-2WCL-6-7
3/4"	1.125	.065	0.75" HS-2WCL-4-7	0.75" HS-2WCL-6-7
1"	1.500	.065	1.00" HS-2WCL-4-7	1.00" HS-2WCL-6-7
1 1/4"	1.875	.065	1.25" HS-2WCL-4-7	1.25" HS-2WCL-6-7
1 1/2"	2.250	.065	1.50" HS-2WCL-4-7	1.50" HS-2WCL-6-7
2"	3.000	.065	2.00" HS-2WCL-4-7	2.00" HS-2WCL-6-7
2 1/2"	3.750	.065	2.50" HS-2WCL-4-7	2.50" HS-2WCL-6-7
3"	4.500	.065	3.00" HS-2WCL-4-7	3.00" HS-2WCL-6-7
4"	6.000	.083	4.00" HS-2WCL-4-7	4.00" HS-2WCL-6-7
6"	9.000	.109	6.00" HS-2WCL-4-7	6.00" HS-2WCL-6-7
8"	12.000	.109	8.00" HS-2WCL-4-7	8.00" HS-2WCL-6-7
10"	15.000	.109	10.00" HS-2WCL-4-7	10.00" HS-2WCL-6-7
12"	18.000	.109	12.00" HS-2WCL-4-7	12.00" HS-2WCL-6-7

All dimensions in inches.

DEC. 2020



[www.halesoninc.com](http://www.halesoninc.com)