



TM SERIES (WATER METERS) WITH DISPLAY AND PULSE OUTPUT

FLOMEC® TM Series Water Meters are accurate, economical and designed to last. Choose TM Water Meters for water processing and irrigation applications:

- Meets Schedule 80 PVC specifications
- Standard low-profile display
- Five sizes with two fitting types available
- Flowrates from 1 to 200 gallons per minute (3.8 to 760 L/min)

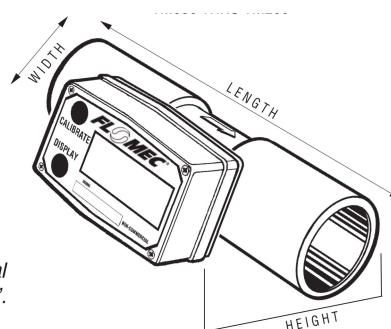
FEATURES / BENEFITS

- Includes pulse output cable for interfacing with customer equipment
- Displays in gallons and litres
- Indicates Batch, Cumulative Totals and Rate of Flow
- Non-volatile totals means amounts are retained when batteries are replaced or power is lost
- Lithium battery life: 5 years

DIMENSIONS

Meter Size	Length	Height	Width
TM050-LP	4.3" (109 mm)	2.5" (64 mm)	2.1" (53 mm)
TM050-N-LP	6.0" (152 mm)	2.7" (68 mm)	2.1" (53 mm)
TM075-LP	4.4" (112 mm)	2.7" (68 mm)	2.1" (53 mm)
TM075-N-LP	6.1" (155 mm)	2.9" (74 mm)	2.1" (53 mm)
TM100-LP	4.5" (114 mm)	2.9" (74 mm)	2.1" (53 mm)
TM100-N-LP	6.5 (165)	3.1 (79)	2.1" (53 mm)
TM150-LP	5.4" (137 mm)	3.6" (91 mm)	2.1" (53 mm)

Meter Size	Length	Height	Width
TM150-N-LP	7.6" (193 mm)	3.8" (97 mm)	2.3" (58 mm)
TM200-LP	5.5" (140 mm)	4.1" (104 mm)	2.4" (61 mm)
TM200-N-LP	7.9" (201 mm)	4.4" (112 mm)	3.5" (89 mm)



*Length guidelines are estimates; actual length can vary up to ± 1/2".

PRODUCT CONFIGURATION

PRODUCT IDENTIFIER 1

TM = Water Meter, Schedule 80 PVC

TURBINE SIZE 2

050 = 1/2" (15 mm)
 075 = 3/4" (20 mm)
 100 = 1" (25 mm)
 150 = 1-1/2" (40 mm)
 200 = 2" (50 mm)

FITTING TYPE 3

-LP = Spigot (Pipe) End
 -N-LP = NPT Female

1 2 3
 --->>>> TM 150 -N-LP

APPLICATIONS

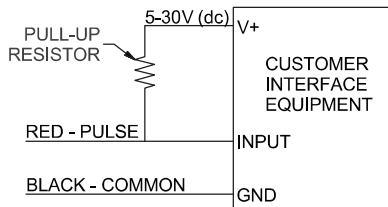
- OEM water treatment equipment / skids
- Sub-metering of facility water usage
- Waste water treatment equipment
- Irrigation
- Batching
- Plant process water
- Water based cooling systems
- Chemical feed systems
- Monitoring clean fluids
- Cooling towers
- Blending

SPECIFICATIONS

Fitting Type:	Schedule 80 Spigot (Pipe) End	
	NPT (Female)	
Meter Sizes Available:	1/2" 3/4" 1" 1-1/2" 2"	
Flow Range:	1/2" (050)	1-10 GPM (3.8-38 L/min)
	3/4" (070)	2-20 GPM (7.6-76 L/min)
	1" (100)	5-50 GPM (19-190 L/min)
	1-1/2" (150)	10-100 GPM (38-380 L/min)
	2" (200)	20-200 GPM (76-760 L/min)
Accuracy (% of Reading):	± 3.0%	
Pressure Rating:	225 psi (15.3) @ 73° F (23° C)	
Operating Temperature Range:	32° F to 140° F (0° C to 60° C)	
Pulse Out Description:	NPN Open Collector (Current Sinking)	
Pulse Amplitude:	5 to 30 V (dc)	
Scaling:	Unscaled	
Shielded Cable:	5 ft. (1.5 m) (26 AWG)	

INTERNAL PULL-UP RESISTOR

- Use a minimum 820 ohms resistor if necessary



APPROVALS



Typical K-Factor:	1/2" (050)	2,500 PPG (660 Pulses/L)
	3/4" (070)	1,100 PPG (291 Pulses/L)
	1" (100)	565 PPG (149 Pulses/L)
	1-1/2" (150)	215 PPG (57 Pulses/L)
	2" (200)	100 PPG (26 Pulses/L)
Wetted Materials:	Housing:	PVC
	Bearings:	Ceramic
	Shaft:	Tungsten Carbide
	Rotor:	PVDF
	Rings:	316 Stainless Steel
Calibration Report:	Comes standard	
	N.I.S.T. – Certification available	

ACCESSORIES / ELECTRONICS

Part No.	Description
113520-1	Battery Replacement Kit
116000-1	Calibration Container, Large (5 gallon)
125508-03	½ inch, Turbine Assy Kit
125508-04	½ inch NPT, PVC Turbine Assy Kit
125510-03	¾ inch, Turbine Assy Kit
125510-04	¾ inch NPT, PVC Turbine Assy Kit
125512-03	1 inch, Turbine Assy Kit
125512-04	1 inch NPT, PVC Turbine Assy Kit
125514-03	1 ½ inch, Turbine Assy Kit
125514-04	1 ½ inch NPT, PVC Turbine Assy Kit
125516-03	2 inch, Turbine Assy Kit
125516-04	2 inch NPT, PVC Turbine Assy Kit
901002-52	Seal
Computer Kits:	
125509-04	½ inch, Computer Assy Kit w/Pulse
125511-04	¾ inch, Computer Assy Kit w/Pulse
125513-04	1 inch, Computer Assy Kit w/Pulse
125515-04	1 ½ inch, Computer Assy Kit w/Pulse
125517-04	2 inch, Computer Assy Kit w/Pulse
113275-1	FM Approved Remote Kit Assembly (will not make meter FM Approved)
125206-01	90° Display Adapter Kit

Service & Warranty: For technical assistance, warranty replacement or repair contact your **FLOMEC®** or **GPI®** distributor. In North or South America: **888-996-3837 / FLOMEC.net**
Outside North or South America: **+61 2 9540 4433 / FLOMEC.net**