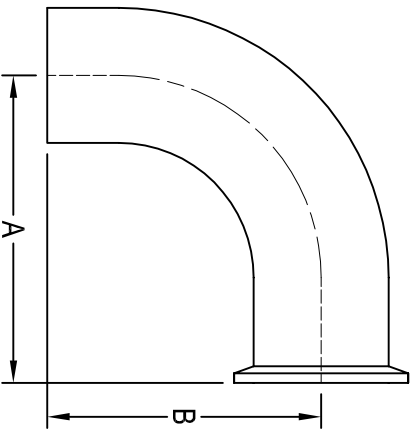


HS-L2CM 90° CLAMP X WELD ELBOW



TUBE OD	A	B	Wall Thickness	SS-304 Item No.	SS-316L Item No.
1/2"	1.625	3.000	.065	0.50" HS-L2CM-4-7	0.50" HS-L2CM-6-7
3/4"	1.625	3.000	.065	0.75" HS-L2CM-4-7	0.75" HS-L2CM-6-7
1"	2.562	2.062	.065	1.00" HS-L2CM-4-7	1.00" HS-L2CM-6-7
1 1/2"	3.438	2.937	.065	1.50" HS-L2CM-4-7	1.50" HS-L2CM-6-7
2"	4.562	4.062	.065	2.00" HS-L2CM-4-7	2.00" HS-L2CM-6-7
2 1/2"	5.688	5.187	.065	2.50" HS-L2CM-4-7	2.50" HS-L2CM-6-7
3"	6.812	6.312	.065	3.00" HS-L2CM-4-7	3.00" HS-L2CM-6-7
4"	8.937	8.312	.083	4.00" HS-L2CM-4-7	4.00" HS-L2CM-6-7
6"	12.405	11.530	.109	6.00" HS-L2CM-4-7	6.00" HS-L2CM-6-7

All dimensions in inches.