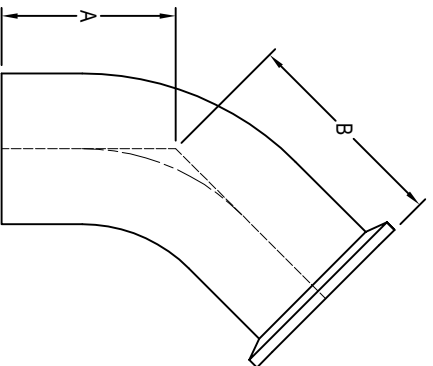


## HS-L2KM 45° CLAMP X WELD ELBOW



TUBE OD	A	B	Wall Thickness	SS-304 Item No.	SS-316L Item No.
1"	1.188	1.688	.065	1.00" HS-L2KM-4-7	1.00" HS-L2KM-6-7
1½"	1.625	2.125	.065	1.50" HS-L2KM-4-7	1.50" HS-L2KM-6-7
2"	2.312	2.812	.065	2.00" HS-L2KM-4-7	2.00" HS-L2KM-6-7
2½"	3.000	3.500	.065	2.50" HS-L2KM-4-7	2.50" HS-L2KM-6-7
3"	3.688	4.188	.065	3.00" HS-L2KM-4-7	3.00" HS-L2KM-6-7
4"	4.812	5.437	.083	4.00" HS-L2KM-4-7	4.00" HS-L2KM-6-7
6"	7.500	8.375	.109	6.00" HS-L2KM-4-7	6.00" HS-L2KM-6-7

All dimensions in inches.

JAN 2021



[www.halesoninc.com](http://www.halesoninc.com)