
MANUAL AND AUTOMATIC BUTTERFLY VALVES

DPX – DPAX

NEW GENERATION DPX3

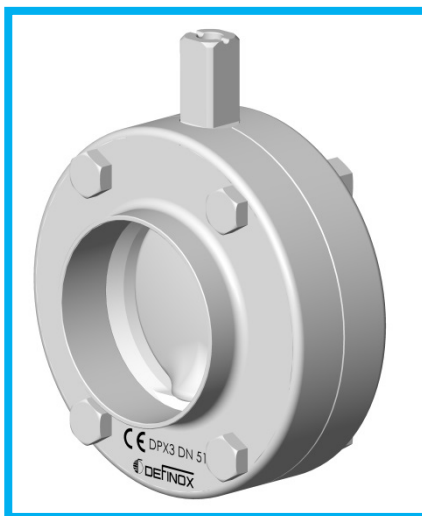
DPX



DPAX



DPX3



www.definox.com

TABLE OF CONTENTS

1 CHANGE MANAGEMENT	3
2 SAFETY	4
2.1 IMPORTANT INFORMATION	4
2.2 GENERAL INFORMATION	4
3 INTRODUCTION	5
3.1 SEPARATION OF MANUAL OR AUTOMATIC SYSTEM FROM THE VALVE.	5
3.1.1 SEPARATING THE MANUAL SYSTEM.	5
3.1.2 SEPARATING THE AUTOMATIC SYSTEM.	5
4 DISASSEMBLING THE BUTTERFLY VALVE	6
5 DISMANTLING THE OPERATING SYSTEM.	6
5.1 DISMANTLING THE MANUAL SYSTEM.	6
5.1.1 DPX, with detection, simple adjustment	6
5.1.2 DPX micrometric adjustment	6
5.2 DISMANTLING THE AUTOMATIC SYSTEM	6
5.2.1 Dismantling the signaling box..	7
5.2.2 Disassembling the actuator (Changing the internal seals).	8
6 CHANGING SEALS AND REASSEMBLY.	11
6.1 INTRODUCTION.	11
6.2 REASSEMBLING THE MANUAL AND AUTOMATIC OPERATING SYSTEM.	11
6.2.1 DN 25/100 ACTUATOR	11
6.2.2 DN 125/150 ACTUATOR	11
6.3 REASSEMBLING THE BUTTERFLY VALVE.	13
6.4 ASSEMBLING THE VALVE AND THE OPERATING SYSTEM.	13
7 PARTS	14
7.1 BUTTERFLY VALVE SEALS	14
7.2 MANUAL BUTTERFLY VALVE	15
7.3 MANUAL BUTTERFLY VALVE HANDLE	16
7.4 DN25 to 100 (before2009) SINGLE ACTING AUTOMATIC CONTROL	17
7.5 DN125/150 (before 2009) SINGLE ACTING AUTOMATIC CONTROL, extending stem	18
7.6 DN25 to 76 (before 2009) DOUBLE-ACTING AUTOMATIC CONTROL	19
7.7 DN25 to 100 (after 2009) SINGLE ACTING AUTOMATIC CONTROL	20
7.8 DN125/150 (after 2009) SINGLE ACTING AUTOMATIC CONTROL	21
7.9 DN25 to 100 (after 2009) DOUBLE-ACTING AUTOMATIC CONTROL	22
7.10 DN125/150 (after 2009) DOUBLE-ACTING AUTOMATIC CONTROL	23

1 CHANGE MANAGEMENT

CHANGES	INDEX	DATE	PAGE(S)	INITIALS
New version	1	October 97	/	J.M. CORMORAIS
Notice fully updated	2	March 99	All	R. GABORIT
Example added: grease	3	February 02	7	R. GABORIT
DN 125/150 actuator added	4	September 02	5 to 9, 11 to 17 & 19	R. GABORIT
Page 13 updated	5	November 02	13	R. GABORIT
Pages 15, 17 and 19 updated	6	February 2003	15, 17, 19	R. GABORIT
Updated + interflange DPX added	7	November 2005	12, 13 & 17 to 23	R. GABORIT
safety sheet added + updated	8	January 2006	All	R. GABORIT
Page 14, 15 updated	9	February 06	14, 15	R. GABORIT
Update DIN80 (actuator 76) and information DPX/ DPAX between flanges integrated to a new document NM-253	10	March 2012	All	G.BEGAUD
Add trigger handle	11	June 2012	16	G.BEGAUD
Update references actuator DN125/150	12	July 2012	22	G.BEGAUD
Ref 7008786 was 7006595	13	July 2012	15	G.BEGAUD
Add DN100	14	September 2013	18 & 23	G.BEGAUD
Suppression butterfly seal EPDM food grade light	15	June 2014	15	G.BEGAUD
Add valve DPX3 type and layout modification	16	November 2015	1/14/15	G.BEGAUD
Update	17	September 2016	14/15	G.BEGAUD
Update details	18	January 2017	14 to 24	G.BEGAUD
Update butterfly seals	19	May 2017	14	G.BEGAUD
Replacement of Molykote 111 grease with Paraliq 703	20	October 2018	13	G.BEGAUD
7080816 was 7006711	21	May 2019	16	G.BEGAUD
Add drive cam / cover assembly, visual modification	22	May 2019	17/20/22/24	G.BEGAUD
Modification designation rep 25	23	March 2020	24	G.BEGAUD

2 SAFETY

2.1 IMPORTANT INFORMATION

Always read the maintenance notice before manipulating the valve



Failure to observe these instructions can result in serious bodily injury or loss of life.



This can also result in less serious injuries or damage to the equipment.

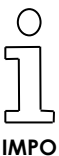


Electricity can result in serious bodily injury or loss of life.



This can also result in less serious injuries or damage to the equipment.

2.2 GENERAL INFORMATION



The following advice is given to ensure optimum use of the equipment.

- The tasks must be performed in the order specified.

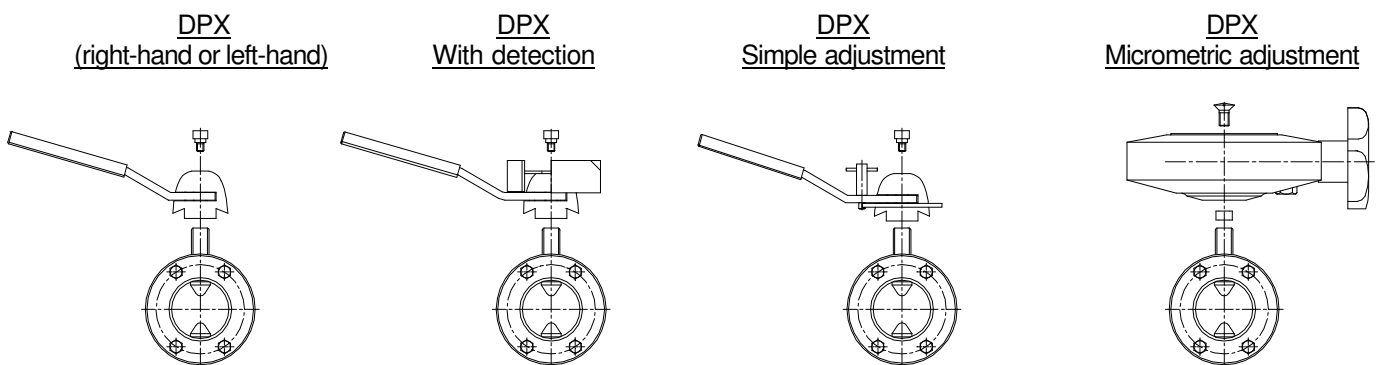
3 INTRODUCTION

The disassembly process for manual or automatic butterfly valves is divided into three distinct steps:

3.1 SEPARATION OF MANUAL OR AUTOMATIC SYSTEM FROM THE VALVE.

3.1.1 SEPARATING THE MANUAL SYSTEM.

In all cases, remove the upper screw and take off the manual system. (Micrometric valve adjustment, take care not to lose the spacer).

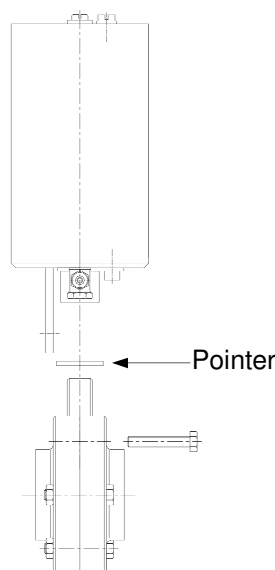


3.1.2 SEPARATING THE AUTOMATIC SYSTEM.

Unscrew the two actuator lug retaining screws from the valve half bodies.

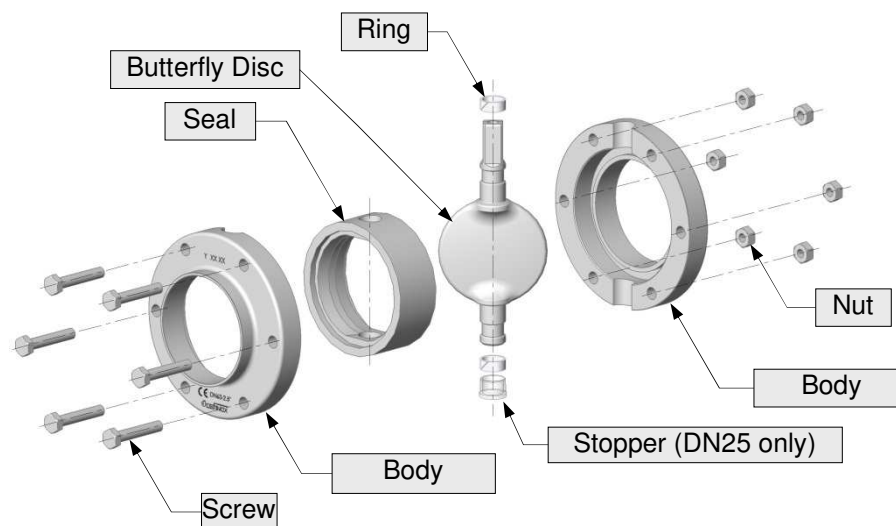
Disconnect the actuator from the valve and remove the position indication pointer.

Make note of the position of the butterfly disc (Valve normally closed or normally open).



4 DISASSEMBLING THE BUTTERFLY VALVE

- Remove the half body fixing screws, separate the half bodies and remove the butterfly disc together with its seal.
- Take off the wearing rings and remove the butterfly disc from the seal.

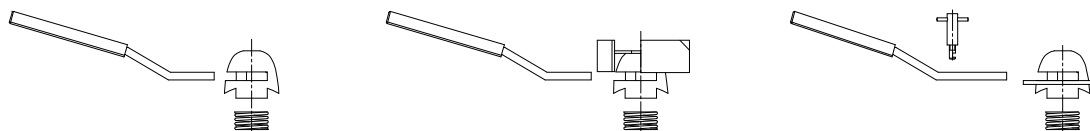


5 DISMANTLING THE OPERATING SYSTEM.

5.1 DISMANTLING THE MANUAL SYSTEM.

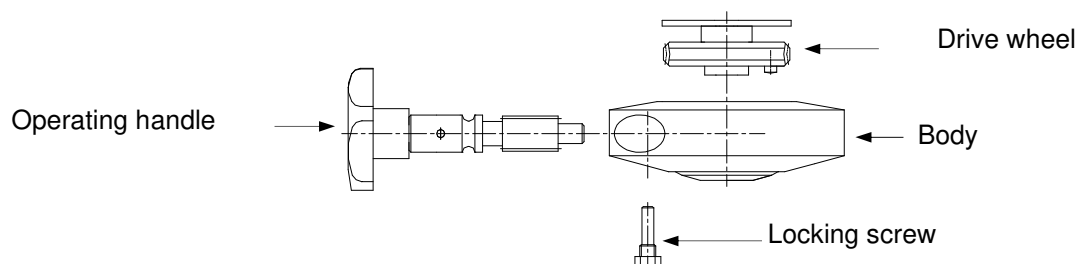
5.1.1 DPX, with detection, simple adjustment

Remove the handle from the hub and recover the spring.



5.1.2 DPX micrometric adjustment

- Slightly unscrew the operating handle and remove the drive wheel
- Unscrew the locking screw and remove the operating handle from the body.



5.2 DISMANTLING THE AUTOMATIC SYSTEM

Before starting the disassembly procedure, if the valve is fitted with a signaling box it may be necessary to detach the signaling unit from the actuator.

5.2.1 Dismantling the signaling box..



CAUTION

IMPORTANT: Before starting any work on the box, it is important to ensure that the mains supply is switched off, that the air supply is closed and that the circuit is purged.

SIGNALING BOX (OLD VERSION) (See diagram below)

Stainless steel cover: • Unscrew the nut [1] then remove the washer [2] and the stainless steel cover

- Unscrew the CHC screw [3] and the threaded rod [4], remove the base from the actuator.

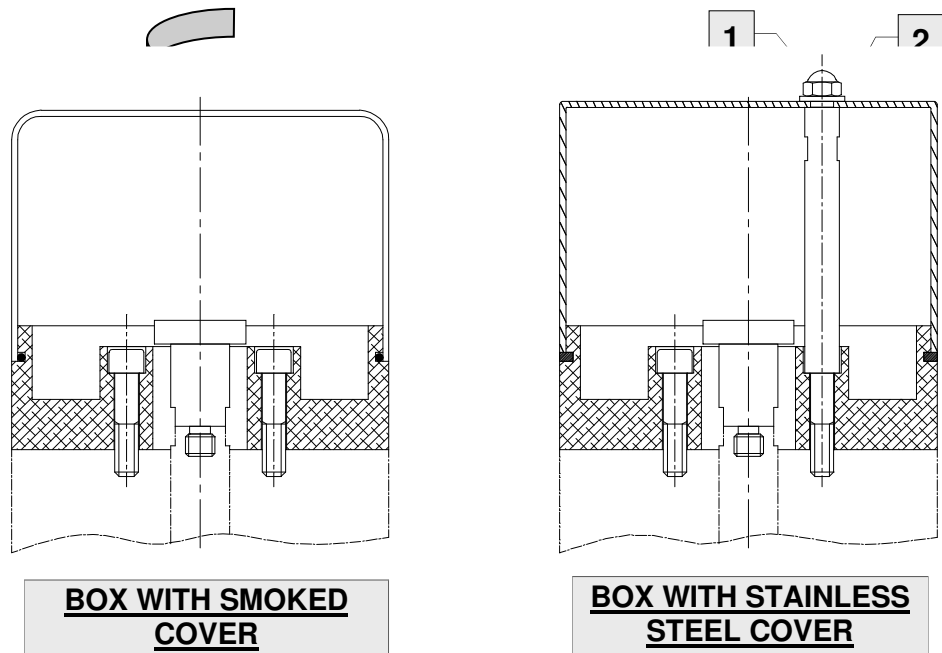
Smoked cover: • Turn the cover to release the contacts situated on the base.

- Unscrew the CHC screws [3] and remove the base from the actuator.
- Using the flats, unscrew the cam [5] from the actuator.



IMPO

IMPORTANT: Take care not to lose the O-ring seal between the actuator and the signaling box



SIGNALING BOX (NEW VERSION) (See diagrams on next page)



CAUTION

Dismantling without disconnection

IMPORTANT: Before starting any work on the box, it is important to ensure that the air supply is closed and that the circuit is purged.

- Turn the cover fully anti-clockwise to detach the connector from the base, then remove the box.
- Unscrew the two CHC screws and remove the base from the air cylinder. (Take care not to lose the O-ring located on the cylinder when disassembling the box).

Dismantling with disconnection

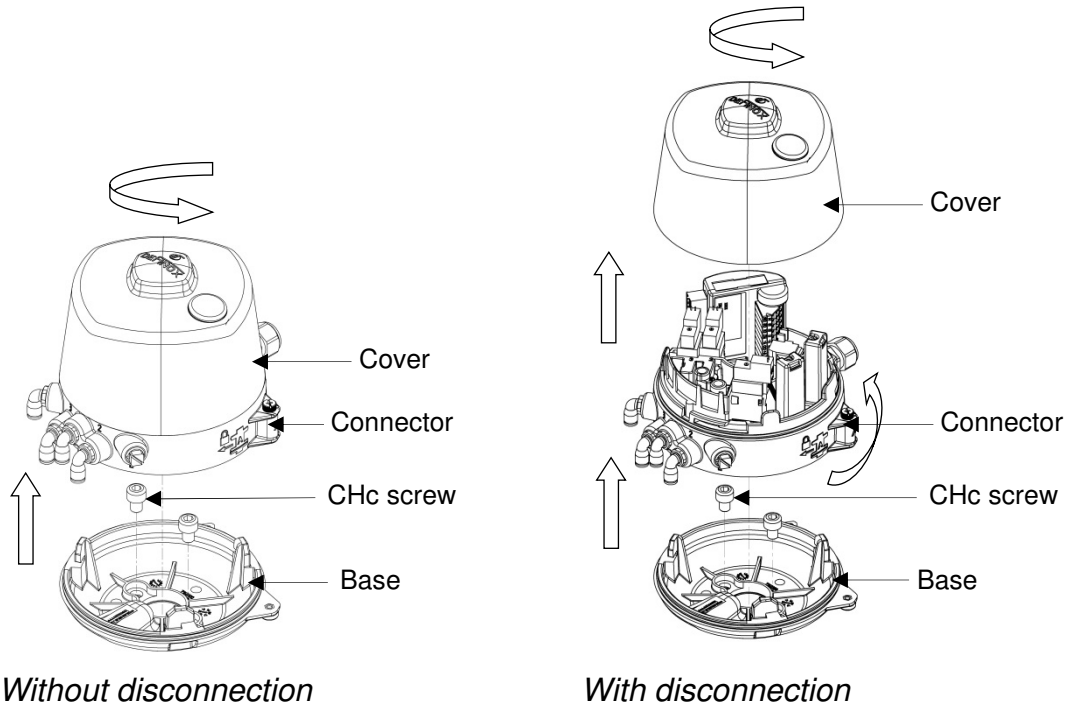
IMPORTANT: Before starting any work on the box, it is important to ensure that the mains supply is switched off, that the air supply is closed and that the circuit is purged.

- Turn the cover anti-clockwise to align and release the contacts from the connector, then remove the connector.
- Disconnect the air pipes from the box.



CAUTION

- Unscrew the stuffing box assembly, locate and disconnect the wires on the terminal, then remove the supply cable.
- Refit the cover and turn it fully anti-clockwise to detach the connector from the base, then remove the box.
- Unscrew the two CHC screws and remove the base from the valve actuator. (Take care not to lose the O-ring located on the cylinder when disassembling the box).



5.2.2 Disassembling the actuator (Changing the internal seals).

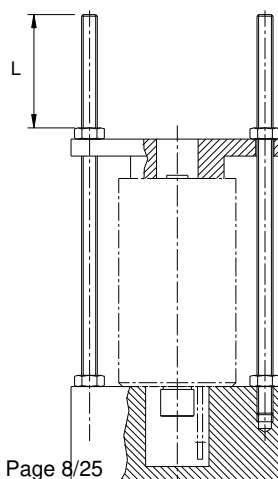
This operation must be performed using a special tool ensuring that the necessary precautions are taken.



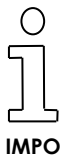
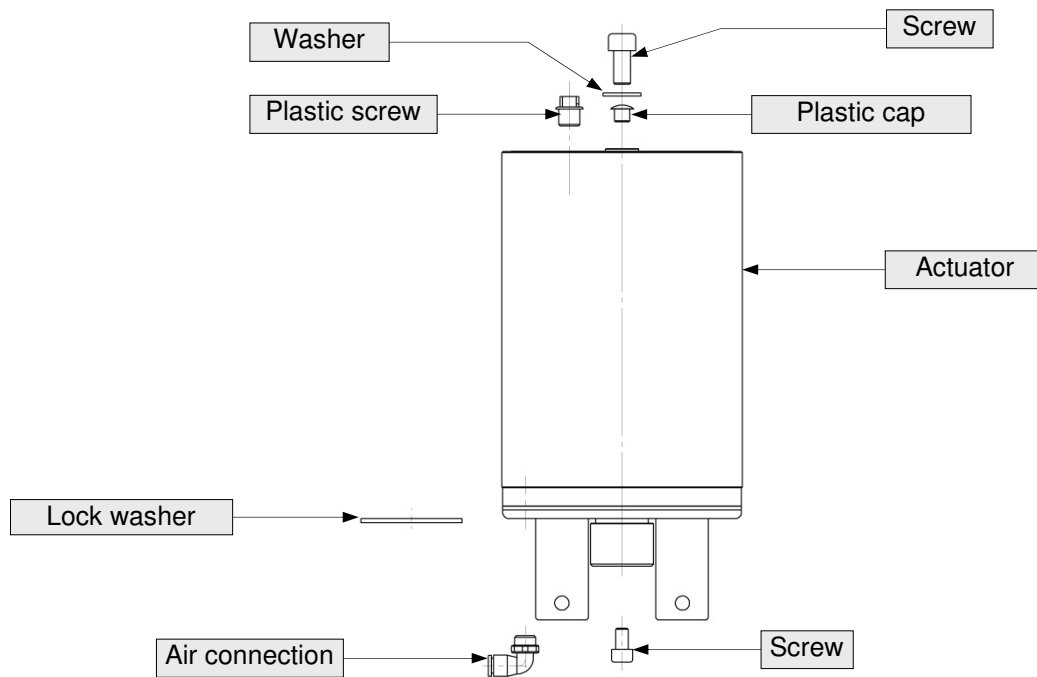
IMPORTANT: Stressed spring

We recommend dismantling and reassembling the valve actuator using a hydraulic press or a tool of the type shown in the diagram below.

Note: This tool must be made to accommodate a spring expansion of 80 mm ⇒ L = 100mm minimum.



Before placing the actuator on the tool, remove the screw and lock washer (except DN 125-150), the air connection, the screws, the washer and the plastic caps.

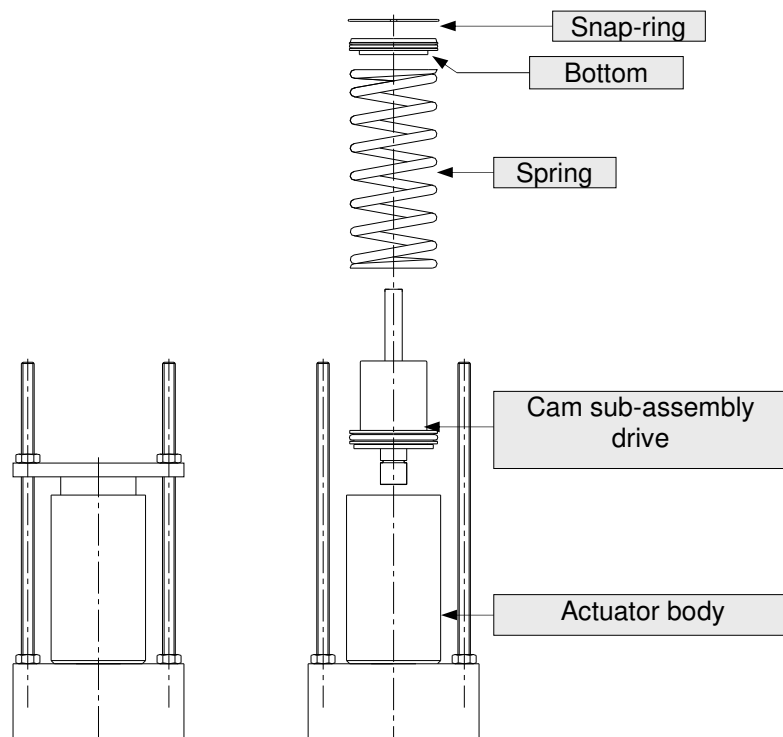


NOTE: If the actuator is fitted with a signaling box, indicate the position of the bottom relative to the body of the box before disassembling

For DN 25 to 100 (NC or NO assembly):

With the actuator installed on the tool:

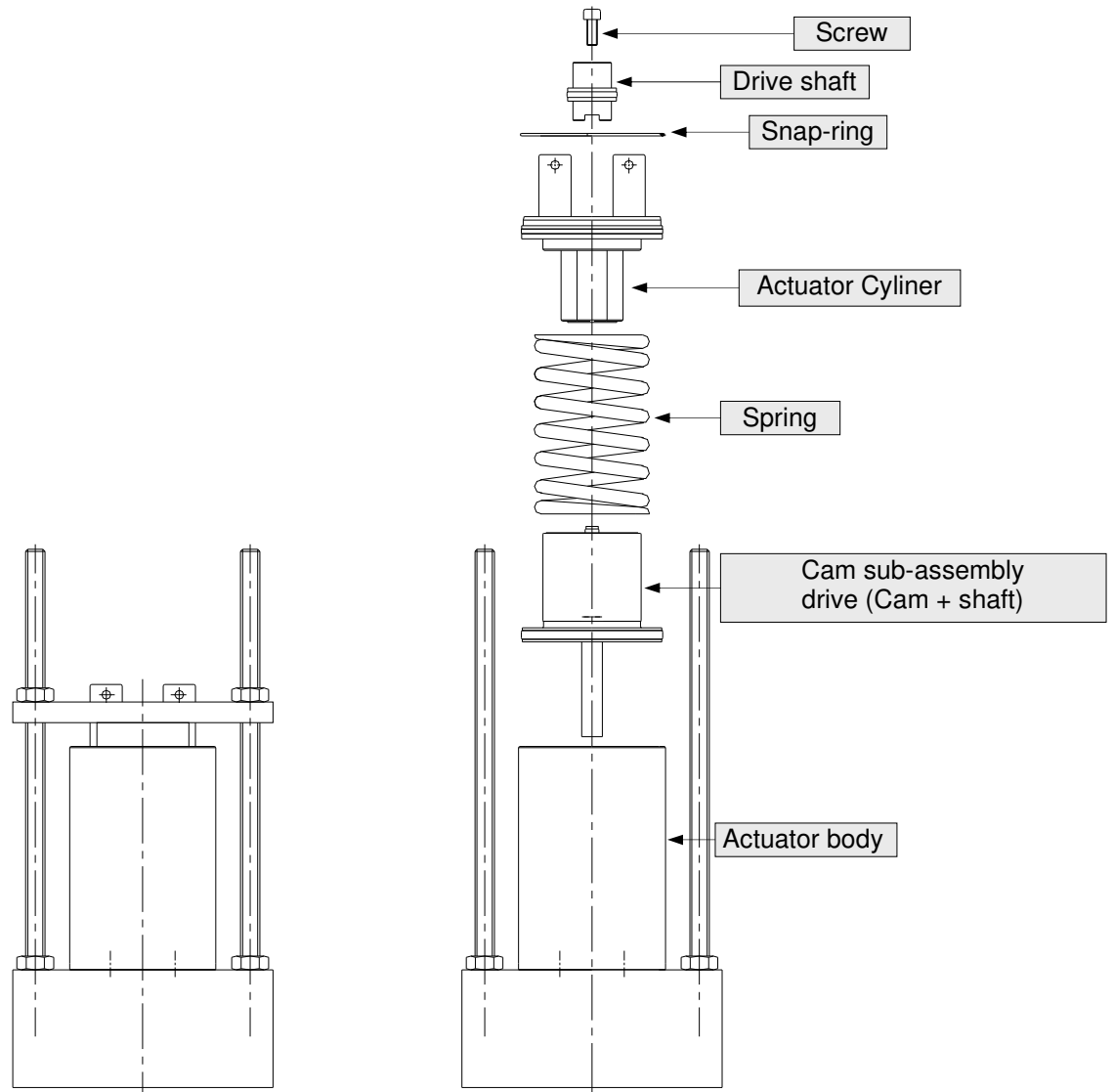
- Push in the base
- Remove the snap-ring from its recess using a small screwdriver.
- Release the pressure to free the base.
- Remove from the actuator body, the spring and the drive cam sub-assembly. (Cam + shaft). (Remove the 2 lower screws to take out the shaft and the rollers).



For DN 125 to 150 (NC or NO assembly):

With the actuator placed on the tool: (Position the actuator attachment lugs towards the top of the tool).

- Unscrew the screw from the drive shaft.
- Push in the actuator body.
- Remove the snap-ring from its recess using a small screwdriver.
- Release the pressure to free the actuator body.
- Remove from the body, the spring and the drive cam sub-assembly. (Cam +shaft).



NOTE: DN 125/150 ACTUATORS CAN ALSO BE INSTALLED ON DN 80/100 (before 2009) DAPX VALVES and DN100 (after 2009) DAPX VALVES.

6 CHANGING SEALS AND REASSEMBLY.

6.1 INTRODUCTION.

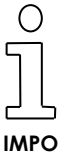
Our valve components are listed and referenced in our folder, our CD-ROM and in the parts section at the end of this notice, together with the necessary information for ordering spare parts.

6.2 REASSEMBLING THE MANUAL AND AUTOMATIC OPERATING SYSTEM.

This procedure is performed in the reverse order to dismantling. However, it is necessary to take into account the following comments for the automatic system:

Before reassembling the parts, ensure that the assembly is lubricated with an appropriate lubricant (water-resistant and temperature-resistant food grade grease → E.g., for information: 4025 H1 QUINPLEX by Lubrication Engineers). Ensure that the grease used is compatible with the elastomer seals.

- Do not damage the seals on edges of the parts.
- Do not damage the torque O-ring when re-assembling the bottom.
- Ensure that the snap-ring is properly positioned in the recess before releasing pressure.
- Test operation of the actuator with air before reassembling.



NOTE: To change the actuator to a double-acting configuration, it is necessary to add a holding plate screwed to the bottom.

6.2.1 DN 25/100 ACTUATOR

A guide pin (See page: Table below) centered on the end of the drive cam stem ensures that the bottom is properly centered in the actuator body. It also avoids the bottom slipping during compression.

DESCRIPTION	Before 2009		After 2009	
	DN25 to 76	DN80	DN25 to 80	DN100
Guide pin	7003285	7003286	7003285	7003286

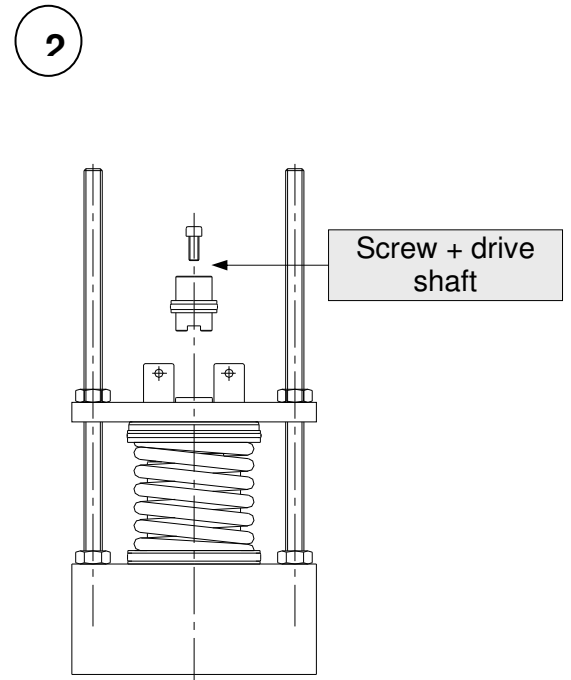
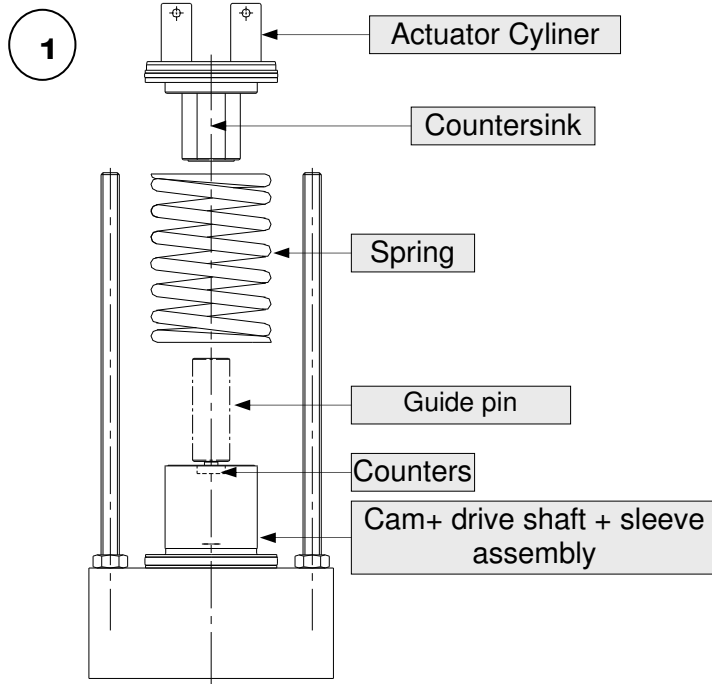
6.2.2 DN 125/150 ACTUATOR

For proper operation, the two countersinks (on the actuator body and the drive cam) must be perfectly aligned.

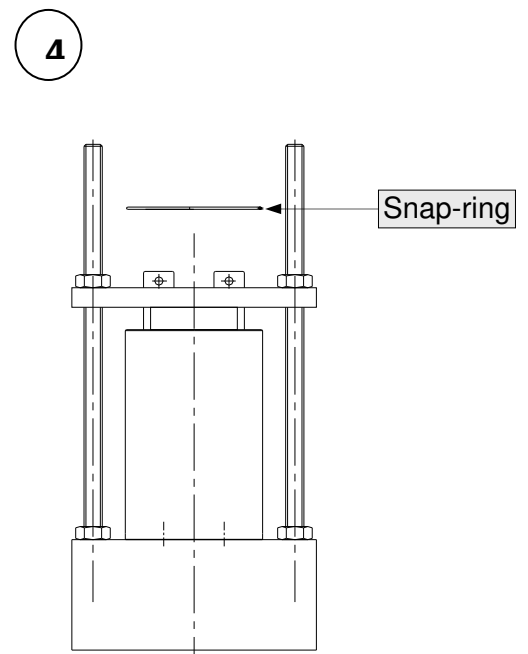
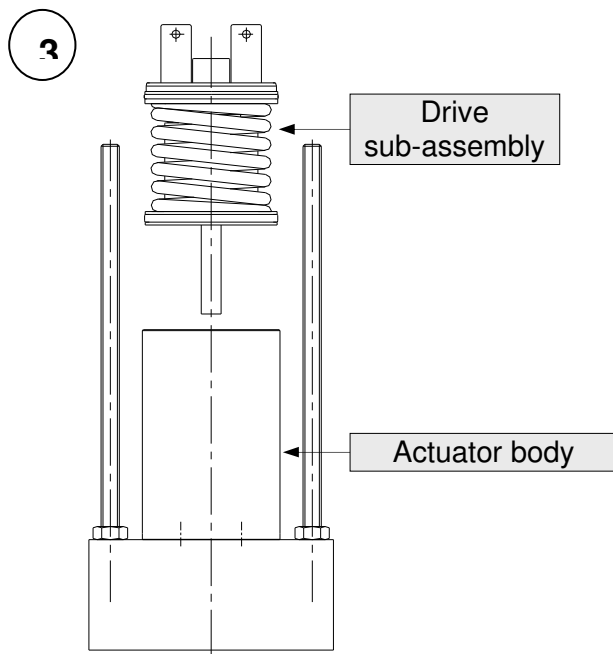
To ensure their proper alignment, follow the reassembly diagrams below.

- Place the cam + drive shaft + sleeve assembly on the tool.(1)
- Screw the guide pin into the drive draft.(1)
- Place the spring and the actuator body, while keeping the two countersinks properly aligned.(1)
- Push in the assembly.(1)
- Maintaining pressure, unscrew the guide pin. Place the drive shaft together with the screw and tighten.(2)

- Place the drive sub-assembly in the actuator body on the tool.(3)
- Maintaining pressure, push the drive into the body and place the snap-ring.(4)



DESCRIPTION	DN 125 to 150
Guide pin	7003287



- Place the caps, screws and holding plate (if necessary).

6.3 REASSEMBLING THE BUTTERFLY VALVE.

This operation is carried out in the reverse order to disassembly. The following guidelines should, however, be followed:

- Apply a suitable grease (of the type Paraliq 703) to the guides of the butterfly disc, the ½ bodies and the seal.
- Keep the butterfly disc in a closed position while tightening the ½ bodies in order to properly center the seal.

6.4 ASSEMBLING THE VALVE AND THE OPERATING SYSTEM.

This operation is also carried out in the reverse order to disassembly. The following guidelines should be followed for the automatic system:

- Do not forget to fit the position pointer and in particular to check the N.C or N.O valve operating position (position of drive squares).
- Before making the final network connections, check that the valve is operating normally.



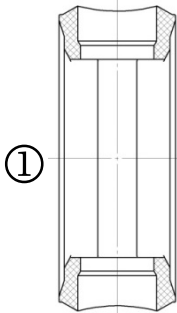
If you encounter difficulties when performing the operations described here, do not hesitate to contact us.

You can also contact us regarding maintenance for your valves either on-site or at our own premises.

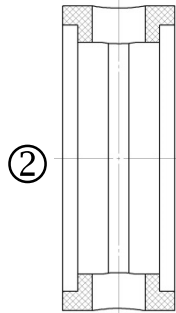
7 PARTS

7.1 BUTTERFLY VALVE SEALS

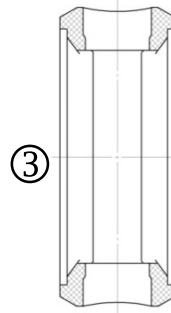
Type 1



Type 2

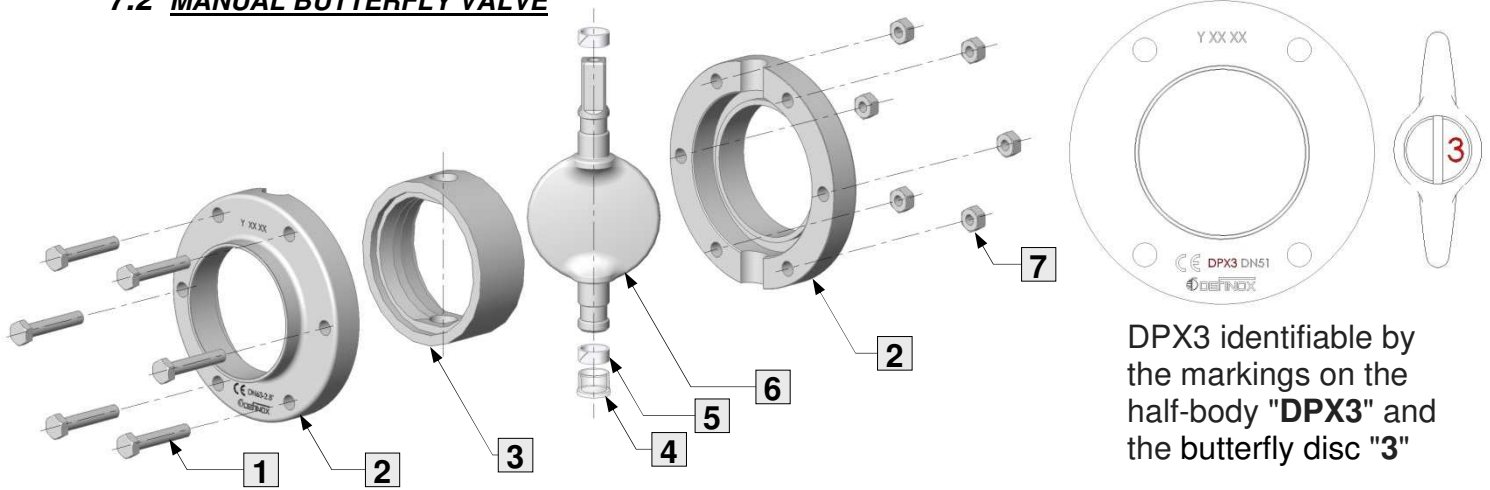


Type 3



Type 3 identifiable by a marking "DPX3" on the seal.

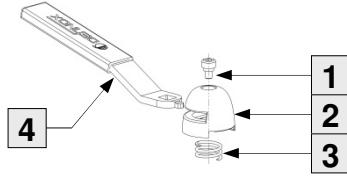
DN			Vintage	SILICON	FKM Food grade	FKM Anti-Acid	EPDM Food grade black	EPDM Industrial grade potash	HNBR
SMS	DIN	US							
25		1"	Before 2016	7006513 ①	7006528 ①	7006612 ①	7006695 ①	7006663 ①	7008636 ①
25		1"	After 2016 (DPX3)	See HNBR	7008818 ③	See FKM	7008817 ③		7008819 ③
	25			7006513 ①	7006528 ①	7006612 ①	7006695 ①	7006663 ①	7008636 ①
38		1"½	Before 2016	7006514 ①	7006501 ①	7006608 ①	7006696 ①	7006654 ①	7008637 ①
38		1"½	After 2016 (DPX3)	See HNBR	7008821 ③	See FKM	7008820 ③		7008822 ③
32	32			7006514 ①	7006501 ①	7006608 ①	7006696 ①	7006654 ①	7008637 ①
	40								
51		2"	Before 2016	7006515 ①	7006502 ①	7006613 ①	7006660 ①	7006655 ①	7008638 ①
51		2"	After 2016 (DPX3)	See HNBR	7008824 ③	See FKM	7008823 ③		7008825 ③
	50			7006515 ①	7006502 ①	7006613 ①	7006660 ①	7006655 ①	7008638 ①
63		2"½		7006582 ②	7006583 ③	7006614 ②	7006697 ③	7006656 ②	7008666 ③
	65		Before 2019	7006585 ②	7006586 ③	7006615 ②	7006698 ③	7006657 ②	7008667 ③
	65		After 2019 (DPX3)	See HNBR	7009291 ③	See FKM	7009290 ③		7009292 ③
76		3"		7006585 ②	7006586 ③	7006615 ②	7006698 ③	7006657 ②	7008667 ③
	80		After 2009	7006593 ②	7006594 ③	7006616 ②	7008786 ③		7008668 ③
	80		Before 2009	7006632 ②	7006633 ②	7006635 ②	7006661 ②		
	(Actuator Ø89)								
	(Actuator Ø114)								
100	104	4"		7006637 ②	7006638 ③	7006640 ②	7006662 ③	7006658 ②	7008669 ③
	125			7006555 ②	7006556 ③	7006618 ②	7006699 ③	7006659 ②	7008678 ③
	150	6 »		7008546 ②	7008543 ③	7008883 ②	7008544 ③		7008679 ③



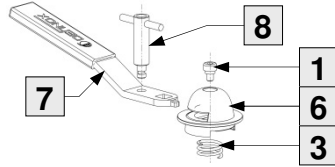
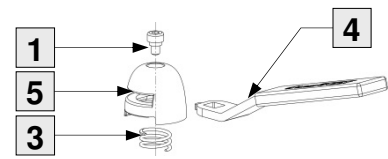
DPX3 identifiable by the markings on the half-body "DPX3" and the butterfly disc "3"

DN			Vintage	Rep : 1		Rep : 2		Rep : 3		Rep : 4		Rep : 5		Rep : 6		Rep : 7	
SMS	DIN	US		TH Screw	Qty	½ Body 316L	Qty	Seal	Qty	Stopper	Qty	Ring	Qty	Butterfly Disc	Qty	Hub nut	Qty
25			Before 2016	7006871	4	7600048	2	See table of seals on previous page	1	7008906	1		7002774	1	7380333	4	
25			After 2016 (DPX3)	7006871	4	7008838	2		1	7009185	1		7008833	1	7380333	4	
		1"	Before 2016	7380344	4	7600048	2		1	7008906	1		7002774	1	7380333	4	
		1"	After 2016 (DPX3)	7380344	4	7008832	2		1	7009185	1		7008833	1	7380333	4	
	25			7006871	4	7002936	2		1	7008906	1		7002774	1	7380333	4	
	32			7006871	4	7002812	2		1			7003015	2	7002775	1	7380333	4
	32			7006871	4	7002937	2		1			7003015	2	7002775	1	7380333	4
	38		Before 2016	7006871	4	7600049	2		1			7003015	2	7002775	1	7380333	4
	38		After 2016 (DPX3)	7006871	4	7008839	2		1			7003015	2	7008835	1	7380333	4
		1½"	Before 2016	7380344	4	7600049	2		1			7003015	2	7002775	1	7380333	4
		1½"	After 2016 (DPX3)	7380344	4	7008834	2		1			7003015	2	7008835	1	7380333	4
	40			7006871	4	7002938	2		1			7003015	2	7002775	1	7380333	4
	51		Before 2016	7006871	4	7600050	2		1			7003015	2	7002776	1	7380333	4
	51		After 2016 (DPX3)	7006871	4	7008840	2		1			7003015	2	7008837	1	7380333	4
		2"	Before 2016	7380344	4	7600050	2		1			7003015	2	7002776	1	7380333	4
		2"	After 2016 (DPX3)	7380344	4	7008836	2		1			7003015	2	7008837	1	7380333	4
	50			7006871	4	7002814	2		1			7003015	2	7002776	1	7380333	4
	63			7006871	6	7600051	2		1			7003015	2	7002777	1	7380333	6
		2½"		7380344	6	7600051	2		1			7003015	2	7002777	1	7380333	6
	65		Before 2019	7006871	6	7002818	2		1			7003015	2	7002778	1	7380333	6
	65		After 2019 (DPX3)	7006871	6	7009286	2	1			7003015	2	7009285	1	7380333	6	
	76			7006871	6	7600052	2	1			7003015	2	7002778	1	7380333	6	
		3"		7380344	6	7600052	2	1			7003015	2	7002778	1	7380333	6	
	80 (Actuator Ø89)		After 2009	7380344	6	7003545	2	1			7003015	2	7003544	1	7380333	6	
	80 (Actuator Ø114)		Before 2009	7006872	6	7002920	2	1			7003016	2	7002911	1	7380333	6	
	100			7006872	8	7002919	2	1			7003016	2	7002912	1	7380333	8	
		4"		7380347	8	7600056	2	1			7003016	2	7002912	1	7380333	8	
	104			7006872	8	7002919	2	1			7003016	2	7002912	1	7380333	8	
	125			7006727	8	7002679	2	1			7003016	2	7002781	1	7006707	8	
	150			7006727	10	7003149	2	1			7003016	2	7003153	1	7006707	10	
		6"		7006727	10	7003149	2	1			7003016	2	7003153	1	7006707	10	

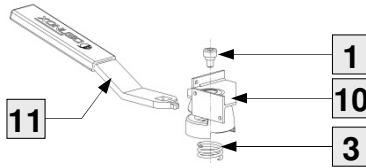
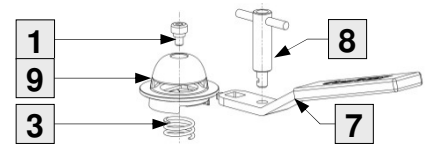
7.3 MANUAL BUTTERFLY VALVE HANDLE



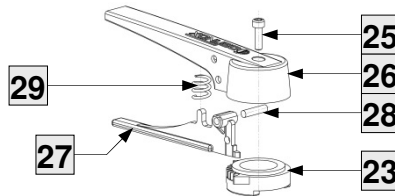
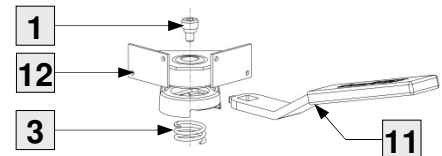
Standard manually-operated handle
 ← Right- or Left-hand_ →
 Opening



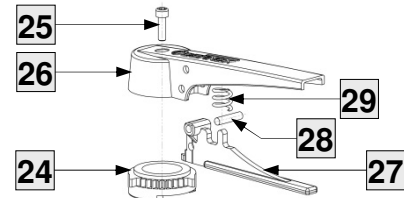
Simple adjustment handle
 ← Right- or Left-hand_ →
 Opening



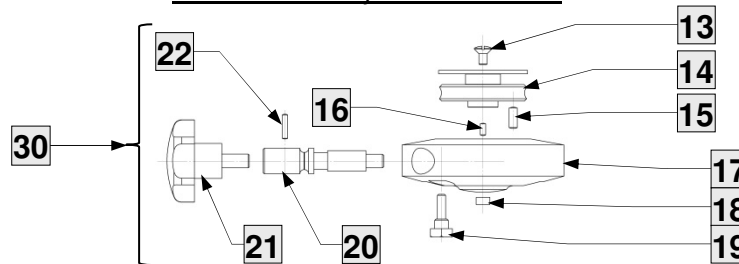
Handle with detection
 ← Right- or Left-hand_ →
 Opening



Trigger handle
 ← Right- or Left-hand_ →
 Opening



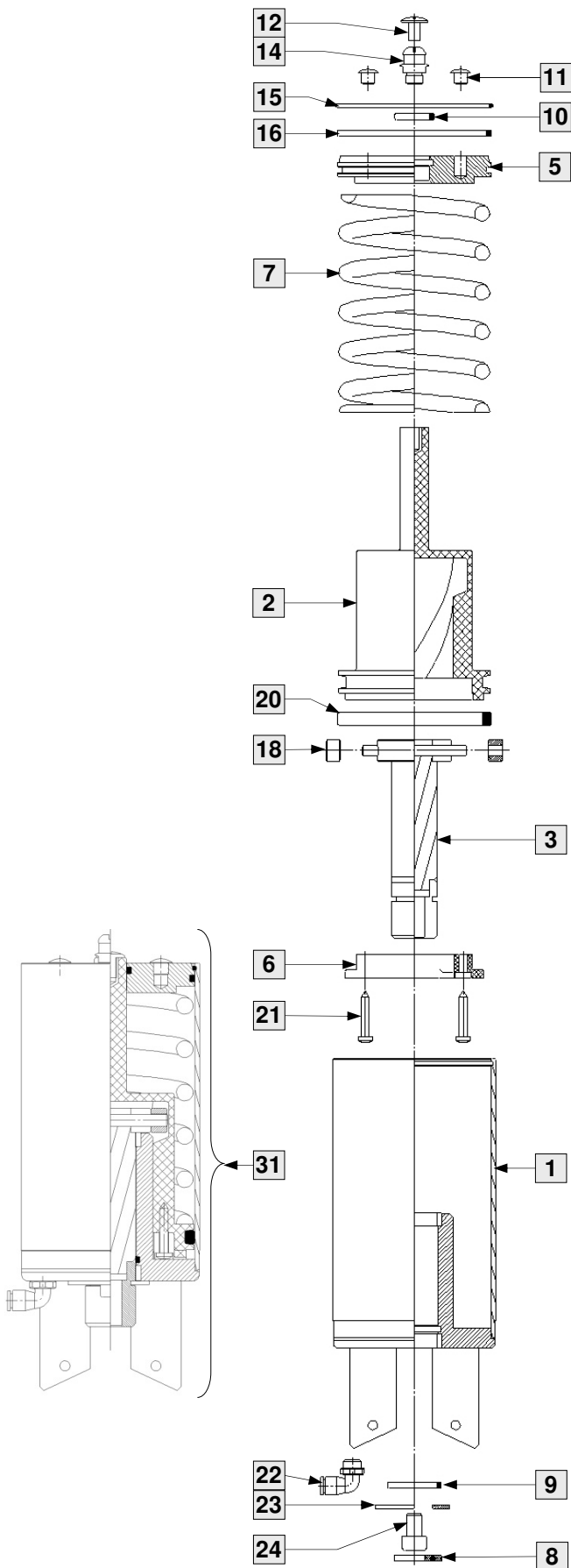
Micrometric adjustable handle



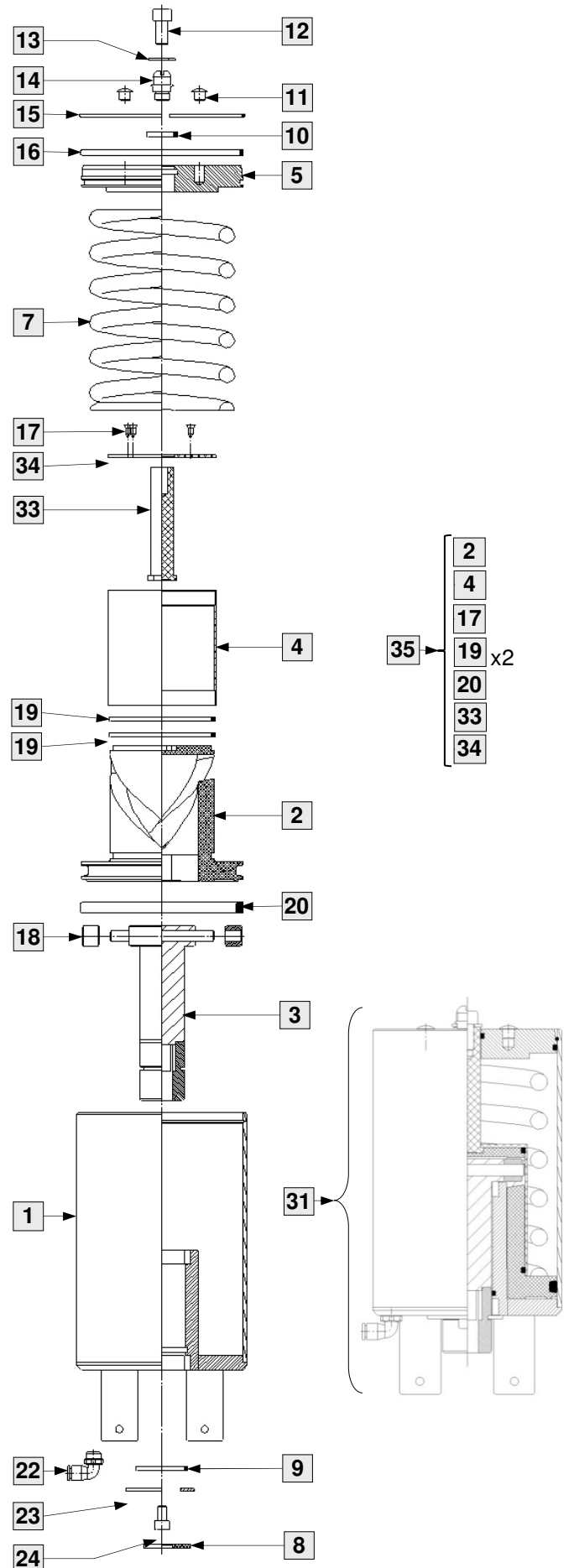
Ref.	DESCRIPTION	Nbre	DN 25 to 80 (Actuator Ø89)	DN 80 (Actuator Ø114) to 100	DN 125 to 150
1	Screw	1		7002756	
2	Hub (Right-hand opening)	1	7003050	7002914	
3	Spring	1	7380305	7007750	
4	Handle (With or without sleeve)	1	7002754	7002913	
5	Hub (Left-hand opening)	1	7003051	7002921	
6	Simple adjustment hub (Right-hand opening)	1	7003044	7002918	
7	Simple adjustment handle (With or without sleeve)	1	7002763	7002916	
8	Simple adjustment set screw	1	7002761	7002806	
9	Simple adjustment hub (Left-hand opening)	1	7003046		
10	Hub with detection (Right-hand opening)	1	7003047	7002917	
11	Handle for detection (With or without sleeve)	1	7002850	7002916	
12	Hub with detection (Left-hand opening)	1	7003048	7003131	
13	TFB screw	1		7080816	
14	Fine adjustment assembly	1	7002790	7003076	
15	LGC pin	1		7380304	
16	Pin G05	1		7007204	
17	Body	1	7002791	7003075	
18	Spacer	1	7002837		
19	Fine adjustment set screw	1		7002807	
20	Fine adjustment screw	1		7002590	
21	PENTA switch	1		7007917	
22	Pin G06	1		7007201	
23	Trigger hub (Right-hand opening)	1	7003177	7003179	
24	Trigger hub (Left-hand opening)	1	7003180	7003181	
25	Screw	1		7380324	
26	Handle for trigger	1	7003178	7003176	
27	Trigger	1	7003183	7003182	
28	Pin	1		7007227	
29	Spring	1		7007845	
30	Micrometric adjustable handle assembly	1	7150018	7150019	

7.4 DN25 to 100 (before 2009) SINGLE ACTING AUTOMATIC CONTROL

DN25 to 76 (before 2009)

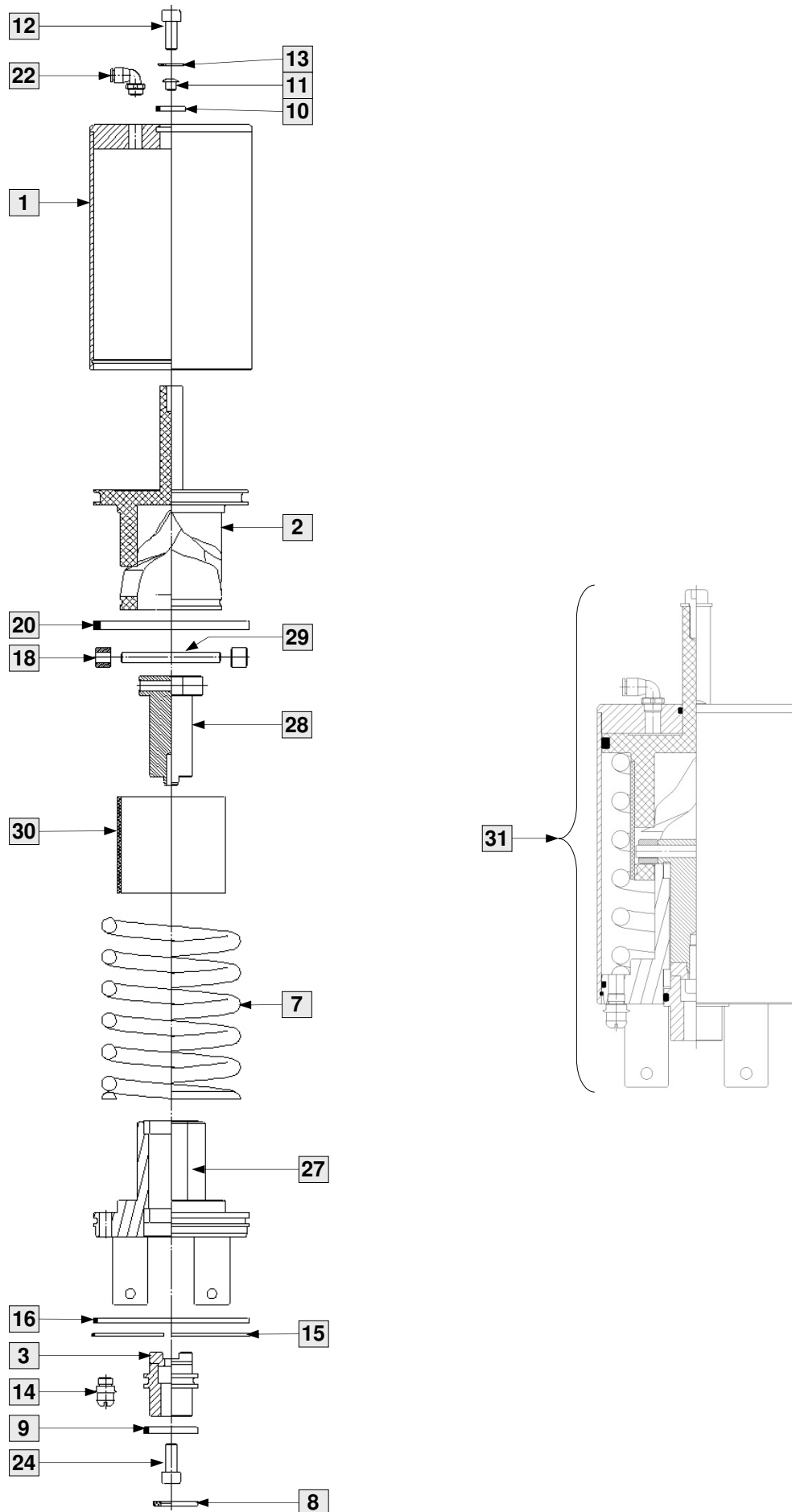


DN80/100 (before 2009)



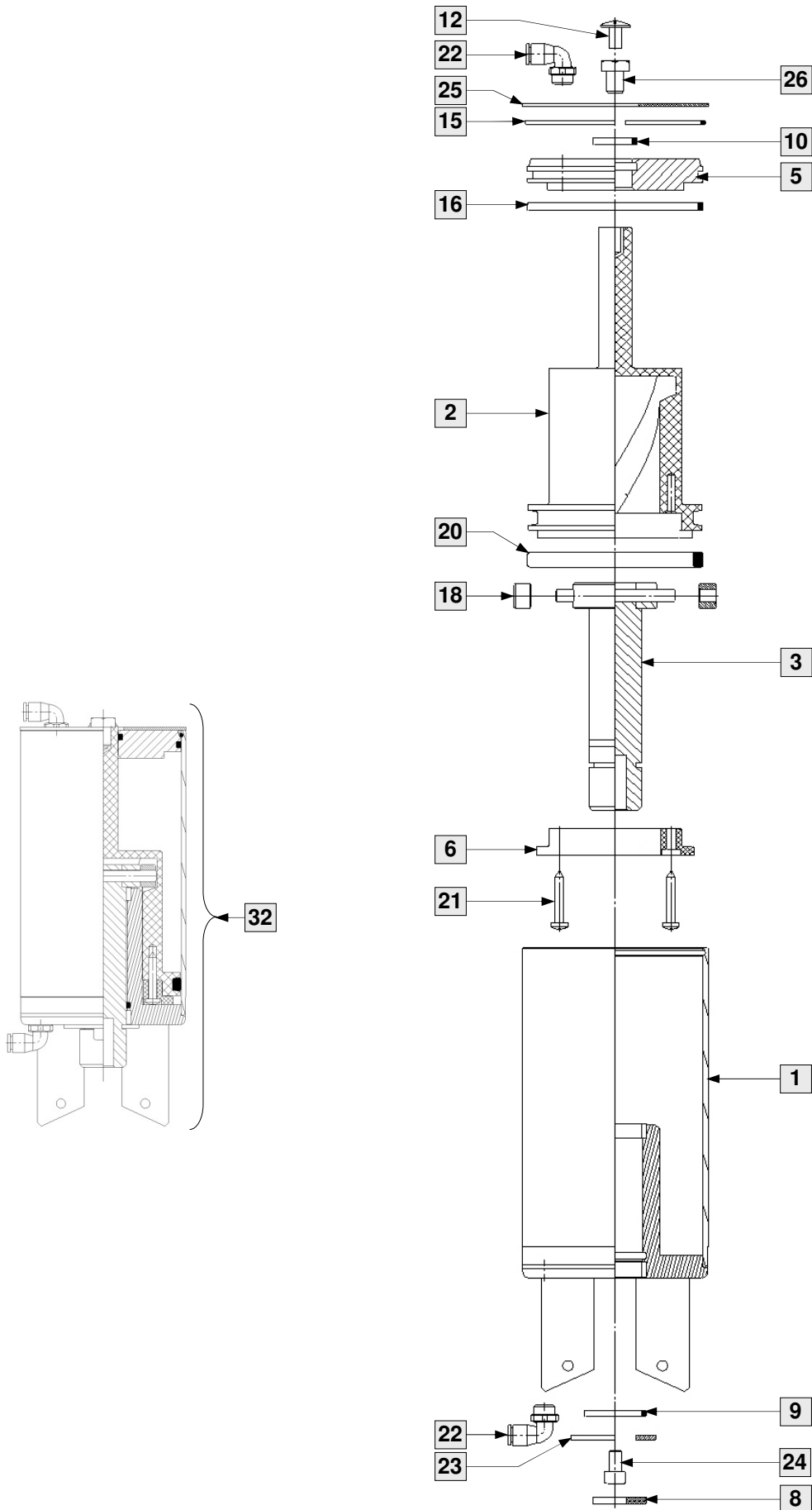
7.5 DN125/150 (before 2009) SINGLE ACTING AUTOMATIC CONTROL, extending stem

DN125/DN150 (before 2009)



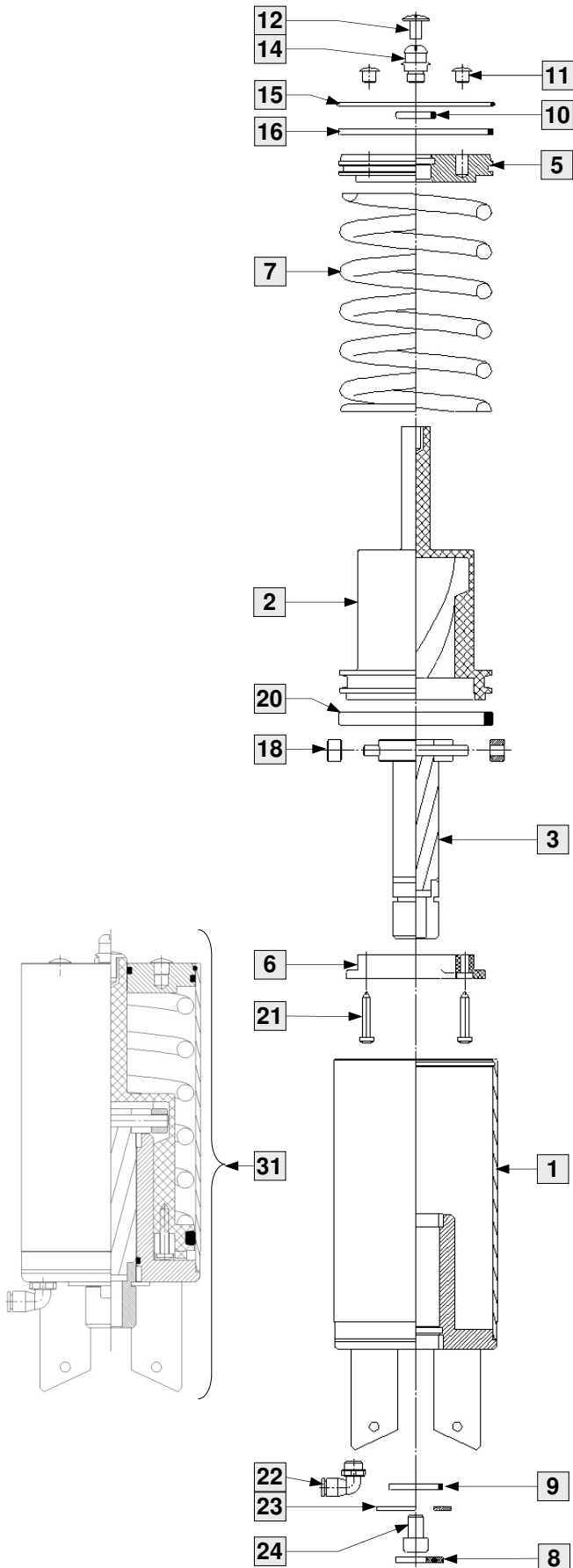
7.6 DN25 to 76 (before 2009) DOUBLE-ACTING AUTOMATIC CONTROL

DN25 à 76 (before 2009)

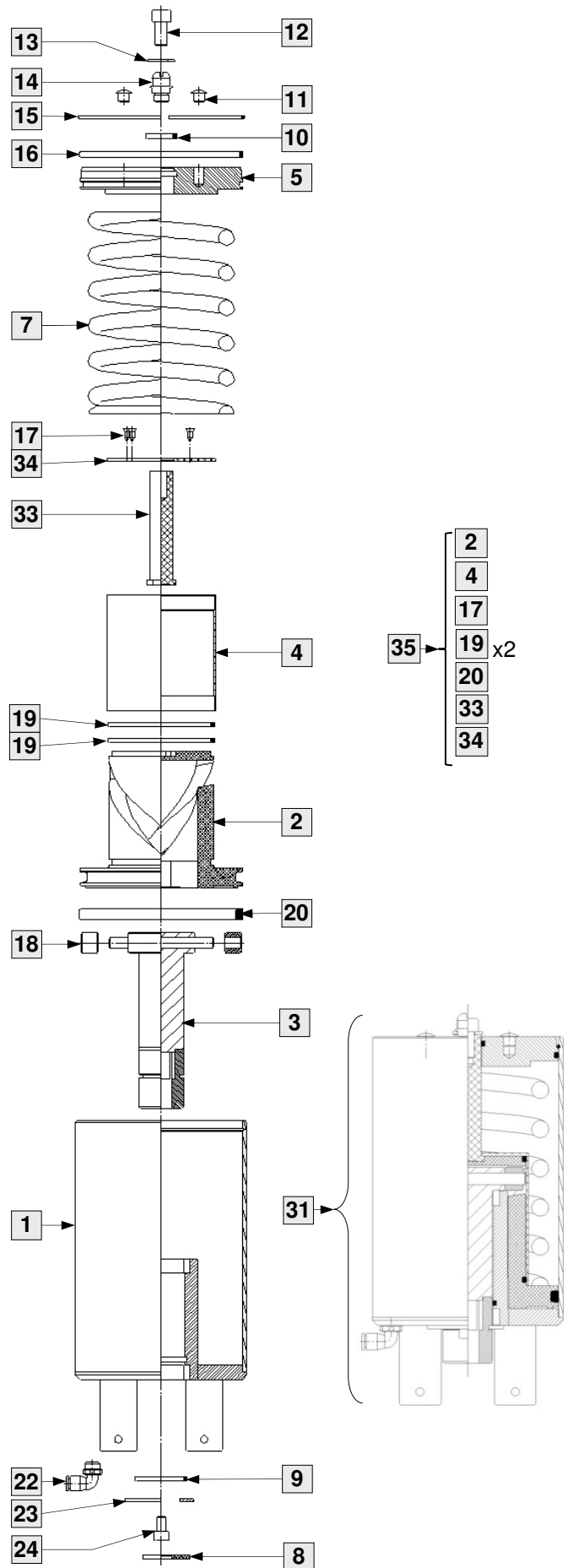


7.7 DN25 to 100 (after 2009) SINGLE ACTING AUTOMATIC CONTROL

DN25 to 80 (after 2009)

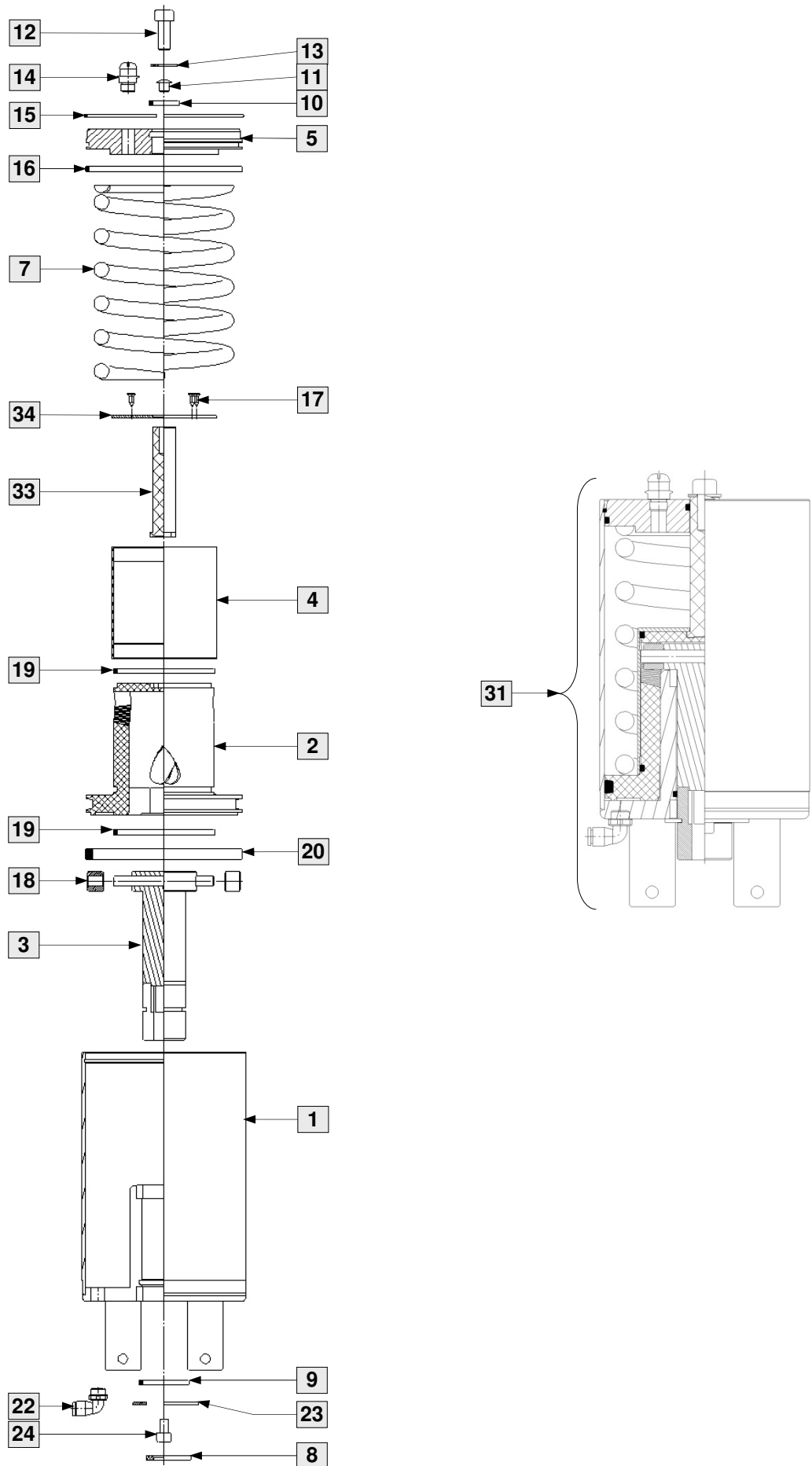


DN100 (after 2009)



7.8 DN125/150 (after 2009) SINGLE ACTING AUTOMATIC CONTROL

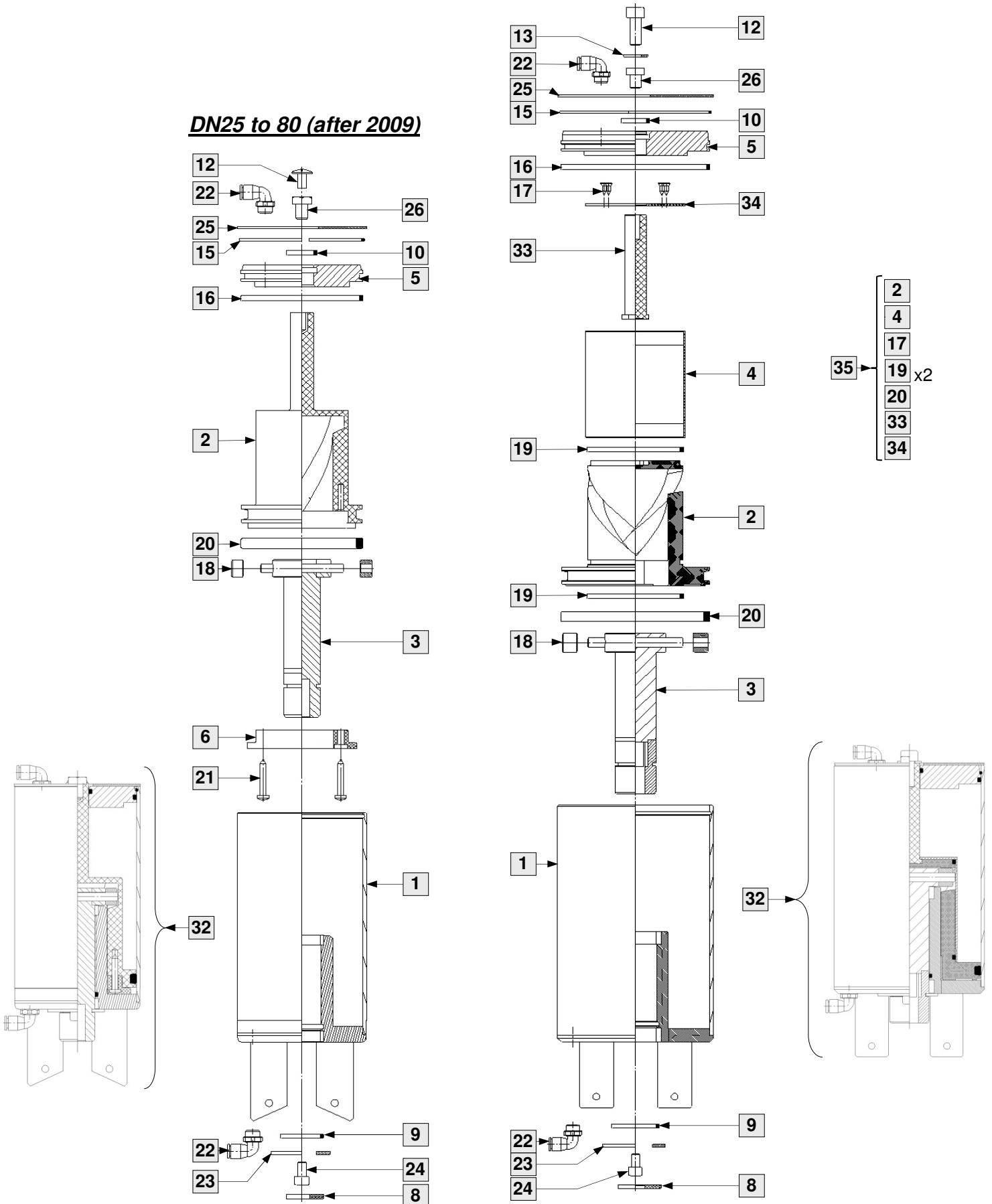
DN125/DN150 (after 2009)



7.9 DN25 to 100 (after 2009) DOUBLE-ACTING AUTOMATIC CONTROL

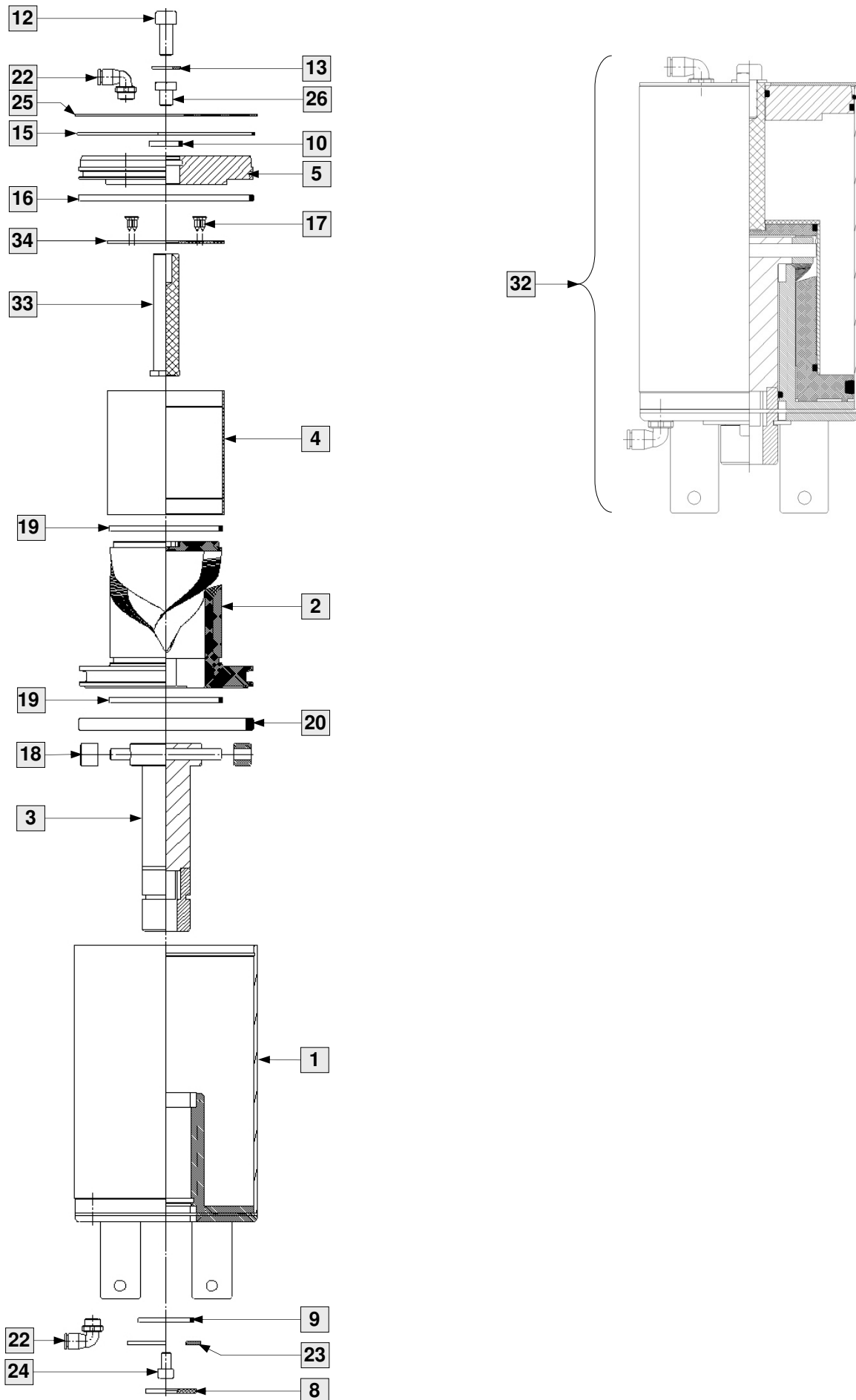
DN100 (after 2009)

DN25 to 80 (after 2009)



7.10 DN125/150 (after 2009) DOUBLE-ACTING AUTOMATIC CONTROL

DN125/150 (after 2009)



List of parts for DN25 to 150 automatic actuators

Rep	DESIGNATION	Nb	Before 2009			After 2009			
			DN25 to 76	DN80/100	DN125/150	DN25 to 80	DN100	DN125/150	
1	Standard actuator body	1	7002743	7002797	7003227	7002743	7002797	7003534	
2	Drive cam	1	7002727		7003184	7002727	7003444	7003445	
3	Drive shaft	1	7002745	7002798	7003223	7002745	7002798	7002798	
4	Cover	1							7003449
5	Bottom	1	7002744	7002357		7002744	7003108	7003108	
6	Cam hub	1	7002728			7002728			
7	Spring	1	7007721	7007722		7007721	7007722		
8	Pointer	1	7002765	7002794		7002765	7002794		
9	O-ring	1	7006229	7006024	7006141	7006229	7006024	7006024	
10	R-ring	1	7380122						
11	SKIFFY cap	2	7009954						
12	Screw	1	7006714	7380303	7380306	7006714	7380306		
13	Washer	1		7380097			7380097		
14	Pierced plastic cap	0/1	7002496						
15	Stainless steel snap-ring	1	7380174	7380157		7380174	7380157		
16	O-ring	1	7380176	7380160		7380176	7380160		
17	TF sheet-metal screw	4		7006712			7006712		
18	Roller	2	7002746	7002799		7002746	7002799		
19	O-ring	1-2		7006018			7006018		
20	R-ring	1	7380316	7380161		7380316	7380161		
21	VTCL sheet metal screw	2	7006719			7006719			
22	Male elbow Ø6-1/8 G Legris	½	7010116						
23	Lock washer	1	7002606	7002607		7002606	7002607	7002607	
24	CHc screw	1	7006702		7380306	7006702		7006702	
25	DPAX actuator holding plate	1	7001356	7001357		7001356	7001357	7001357	
26	TH Screw	2	7006783						
27	Single-acting actuator body	1			7003219				
28	Driver. Drive shaft	1			7003224				
29	Needle	1			7009907			7003518	
30	Sleeve	1			7003259				
31	Single-acting actuator assembly	1	7150104	7150105	7150030	7150104	7150105	7150106	
32	Double-acting actuator assembly	1	7150179			7150179	7150180	7150181	
33	Cam stem	1					7003446	7003505	
34	Locking washer for cam DPAX DN80-150	1					7003453	7003453	
35	Drive cam / cover assembly	1		7002346			7002346		

Seal Kits Actuator DN25 TO 150

DESCRIPTION	Before 2009			After 2009	
	DN25 to 76	DN80/100	DN125/150	DN25 to 80	DN100/150
Seal Kit Pneumatic actuator	7080007	7080009	7080010	7080007	7080009

www.definox.com

FRANCE

DEFINOX SAS
3 Rue des Papetiers - Z.A.C de Tabari 2
44190 CLISSON - France
Tel : +33 (0)2 28 03 98 50 Fax : +33 (0)2 28 03 88 00
info@definox.com

USA

DEFINOX INC.
16720 W. Victor Road
New Berlin – WISCONSIN 53151 – USA
Tel : (1) 262 797 5730 - Fax : (1) 262 797 5735
lbuckett@definox-usa.com

CHINA

DEFINOX Beijing Stainless Steel Equipment Ltd
No 18 Anningzhuang East Road – HAIDIAN District
BEIJING 100085 – CHINA
Tel : (86) 10.6293.4909 - Fax : (86) 10.6293-4835
lk@definox.com.cn

The product specifications of this document are indicative and may be modified according to technological developments.
None of the photographs, designs and diagrams are binding.

This document is our property. It may not be copied, reproduced, modified or translated without our express authorization.
DEFINOX is a registered trademark.