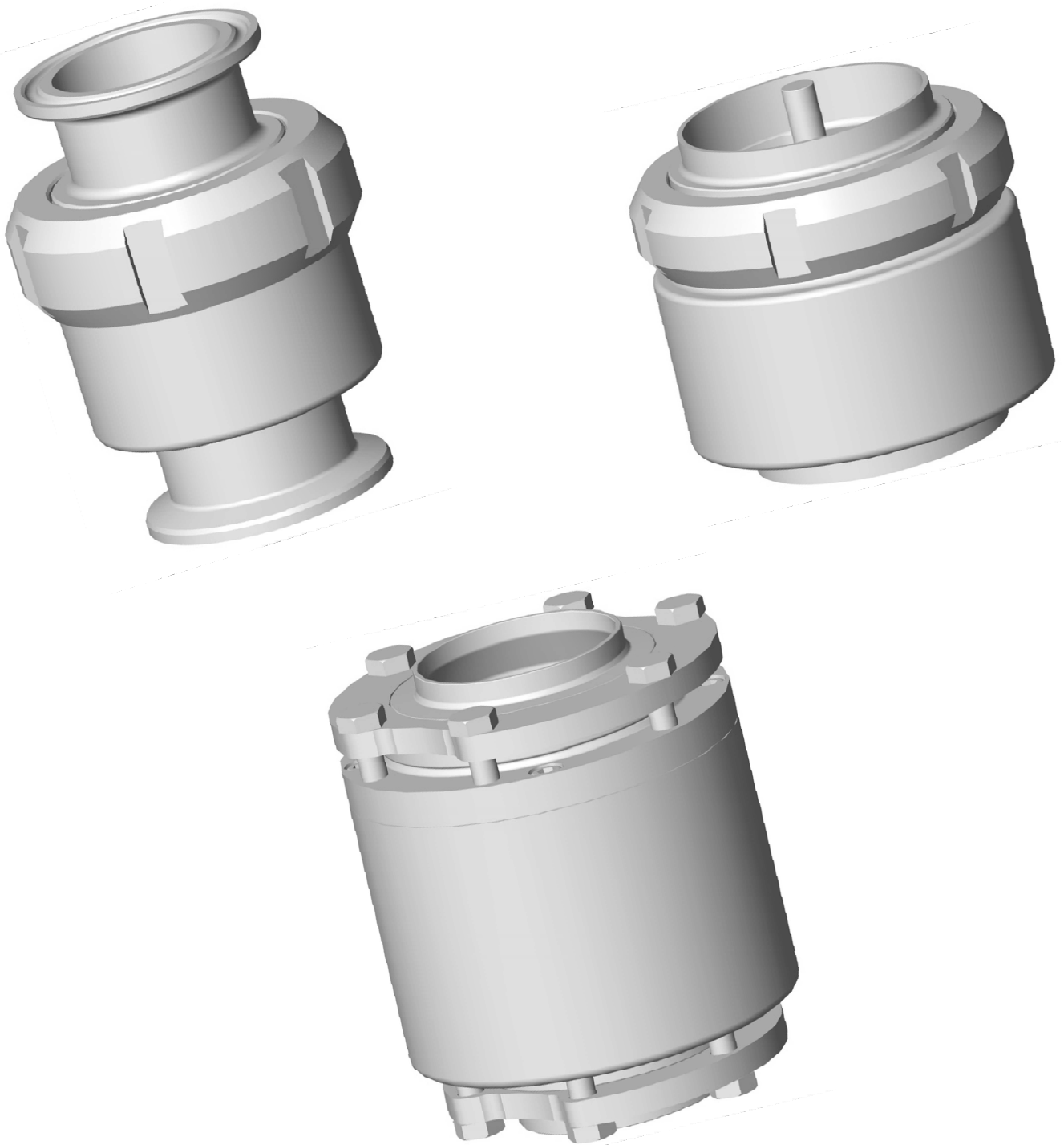


---

## ***NON-RETURN VALVE***

---



[www.definox.com](http://www.definox.com)

**TABLE OF CONTENTS**

<b>1</b>	<b>CHANGE MANAGEMENT</b>	<b>3</b>
	MAINTENANCE NOTICE FOR NON-RETURN VALVES	4
<b>2</b>	<b>DISASSEMBLING NON-RETURN VALVES</b>	<b>4</b>
<b>3</b>	<b>CHANGING SEALS AND REASSEMBLY</b>	<b>4</b>
3.1	INTRODUCTION	4
3.2	CHANGING THE PLUG SEALS	4
3.3	REASSEMBLING THE ASSEMBLY	5
<b>4</b>	<b>SPARE PARTS FOR NON-RETURN VALVES WITH VITON OR EPDM SEALS</b>	<b>6</b>
<b>5</b>	<b>SPARE PARTS FOR METAL/METAL NON-RETURN VALVES</b>	<b>8</b>
<b>6</b>	<b>SPARE PARTS FOR NON-RETURN VALVES WITH DIPPED SEALS</b>	<b>10</b>
<b>7</b>	<b>SPARE PARTS FOR NON-RETURN VALVES WITH PFA PLUGS</b>	<b>11</b>
<b>8</b>	<b>SPARE PARTS FOR NON-RETURN VALVES WITH REMOVABLE PFA SEALS</b>	<b>12</b>
<b>9</b>	<b>LIST OF SPARE PARTS FOR NON-RETURN VALVES WITH DN 25 – 125 (SMS AND DIN)</b>	<b>13</b>
<b>10</b>	<b>LIST OF SPARE PARTS FOR NON-RETURN VALVES WITH DN 3/8” – 4” (US AND JIS)</b>	<b>14</b>
<b>11</b>	<b>SPARE PARTS FOR NON-RETURN VALVES INTERFLANGE COMPACT (EBC)</b>	<b>15</b>
<b>12</b>	<b>LIST OF SPARE PARTS FOR NON-RETURN VALVES INTERFLANGE COMPACT (EBC)</b>	<b>16</b>
<b>13</b>	<b>LIST OF SEALS KITS OF NON-RETURN VALVES INTERFLANGE COMPACT (EBC)</b>	<b>17</b>

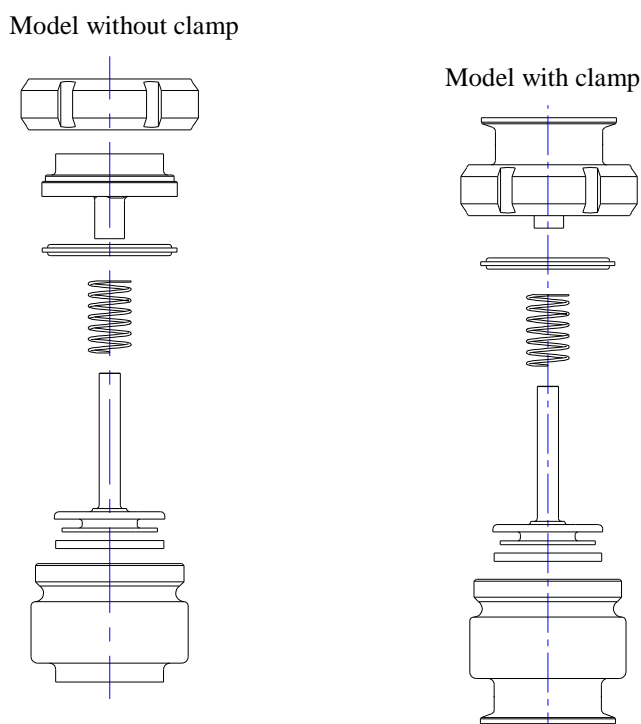
**1 CHANGE MANAGEMENT**

CHANGES	INDEX	DATE	PAGE(S)	INITIALS
New version	1	November 02	/	R.GABORIT
Part numbers changed	2	September 04	13/14	A.BUSSIÈRE
Add clamp seal PTFE	3	March 12	13/14	G.BEGAUD
Modification references of springs	4	December 2016	13/14	G.BEGAUD
Modification of visuals	5	June 2017	11	G.BEGAUD
Add interflange compact version	6	December 2017	/	G.BEGAUD
Add elastomer seals	7	August 2019	15/16	G.BEGAUD

## MAINTENANCE NOTICE FOR NON-RETURN VALVES

### 2 DISASSEMBLING NON-RETURN VALVES

For all non-return valve models, unscrew the nut using a wrench, then disassemble the parts according to the diagram below.



**NOTE:** According to standard JIS, the nut is not integral with the guide clamp sub-assembly.

### 3 CHANGING SEALS AND REASSEMBLY

#### 3.1 INTRODUCTION

Our valve components are listed and referenced in our folder, our CD-ROM and in the parts section at the end of this notice, together with the necessary information for ordering spare parts.

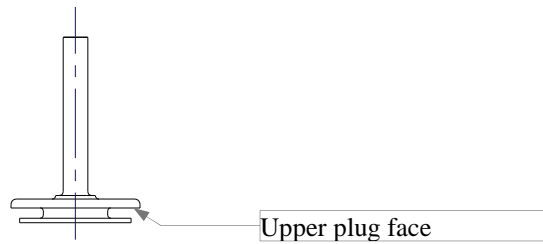
#### 3.2 CHANGING THE PLUG SEALS

The plug seals are changed as follows:

- For VITON seals, you should follow the guidelines given below:

To aid assembly, soak the seal in clean water.

Locate the surface of the seal that is marked and position it against the upper face of the valve.



- For PFA seals, be sure to follow the guidelines given below:

Place the seal in the oven for 1 minute at a temperature of 180°C.

### **3.3 REASSEMBLING THE ASSEMBLY**

This procedure is performed in the reverse order to dismantling. However, it is necessary to take into account the following information:

Before reassembly, clean the bottom face of the body receiving the seal.

Do not grease the assembly.

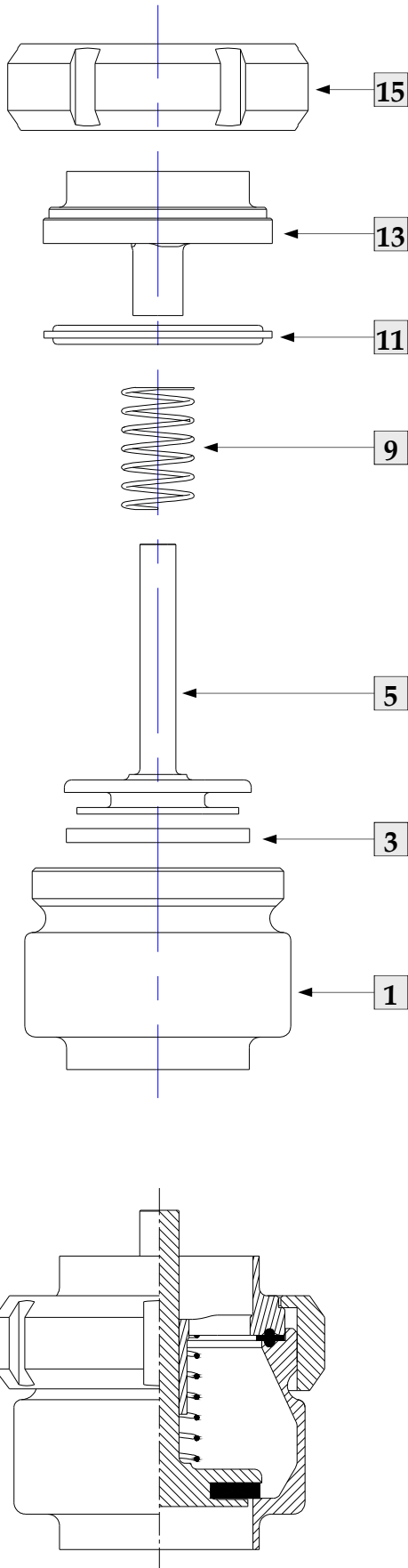
Do not damage the seals on edges of the parts.

Check that the clamp seal is properly positioned in its recess.

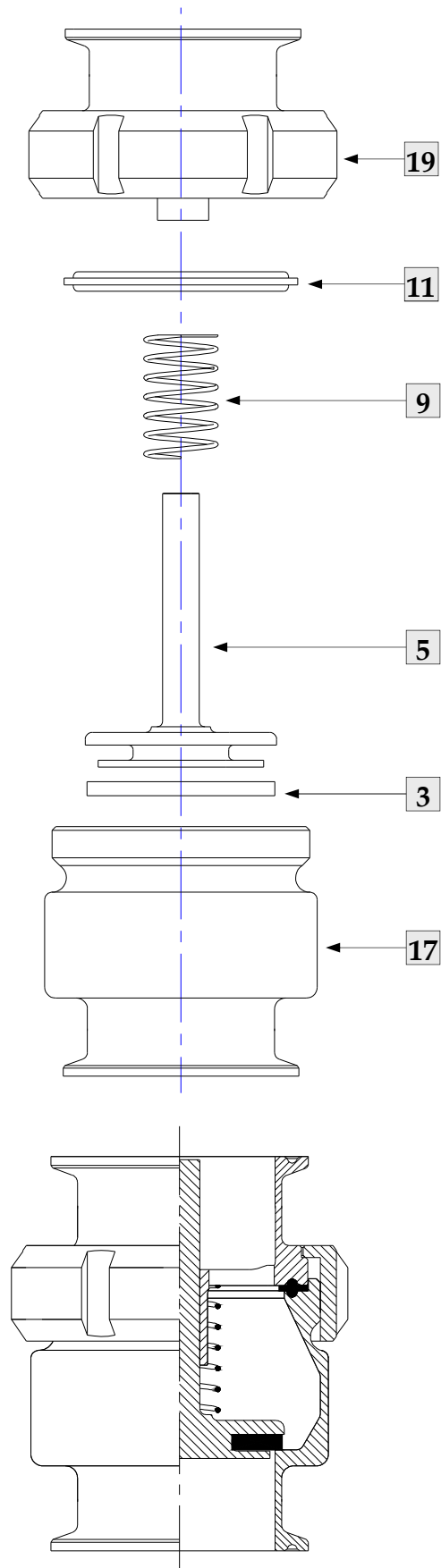
4 SPARE PARTS FOR NON-RETURN VALVES WITH VITON OR EPDM SEALS

VITON or EPDM seal DN 25 - 125

**Model without clamp**  
DIN and SMS standards

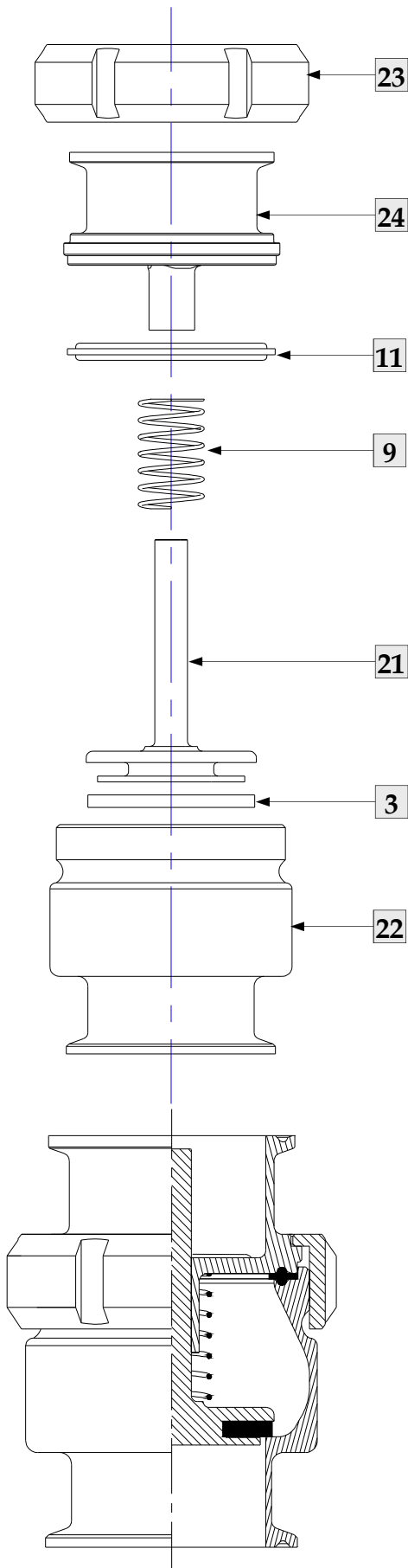


**Model with clamp**  
US standard



VITON or EPDM seal DN 1" – 4"

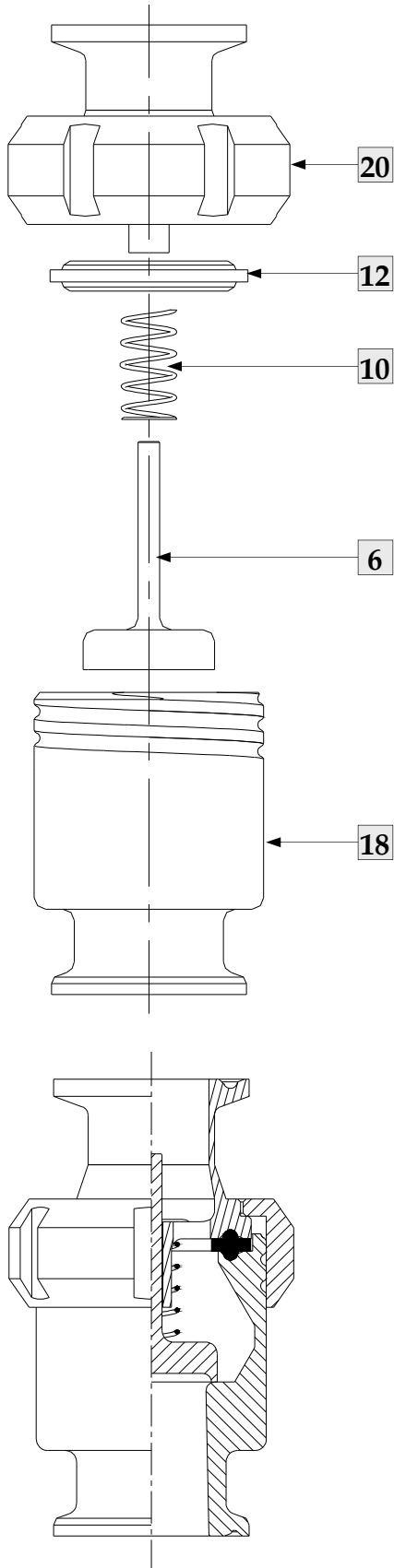
Model with clamp  
JIS standard



5 SPARE PARTS FOR METAL/METAL NON-RETURN VALVES

Metal/metal DN 3/8" – 1"

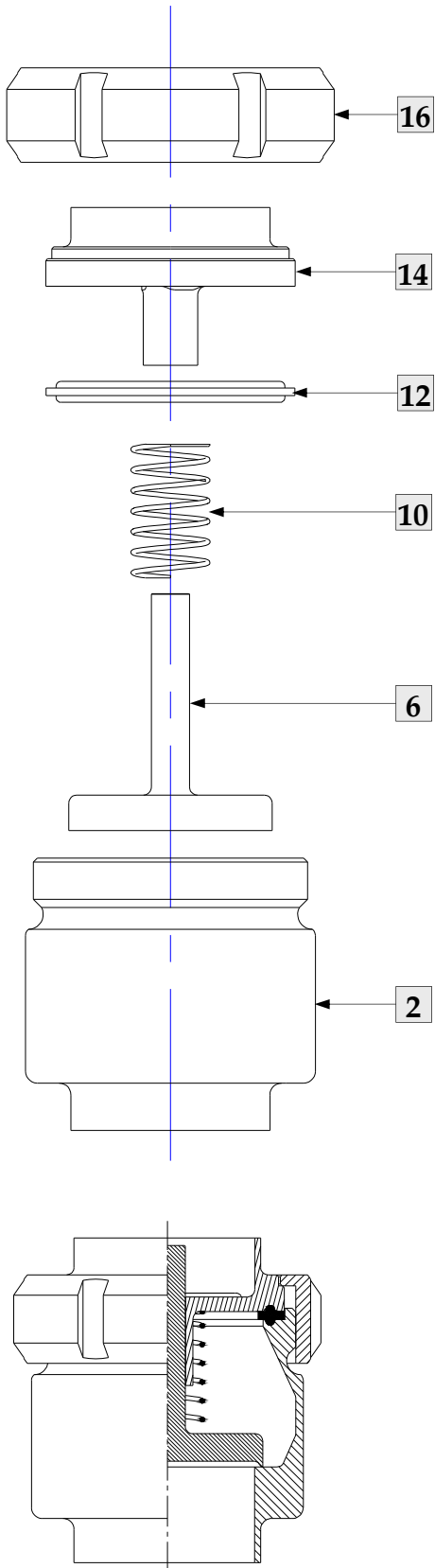
Small model with clamp  
US standard



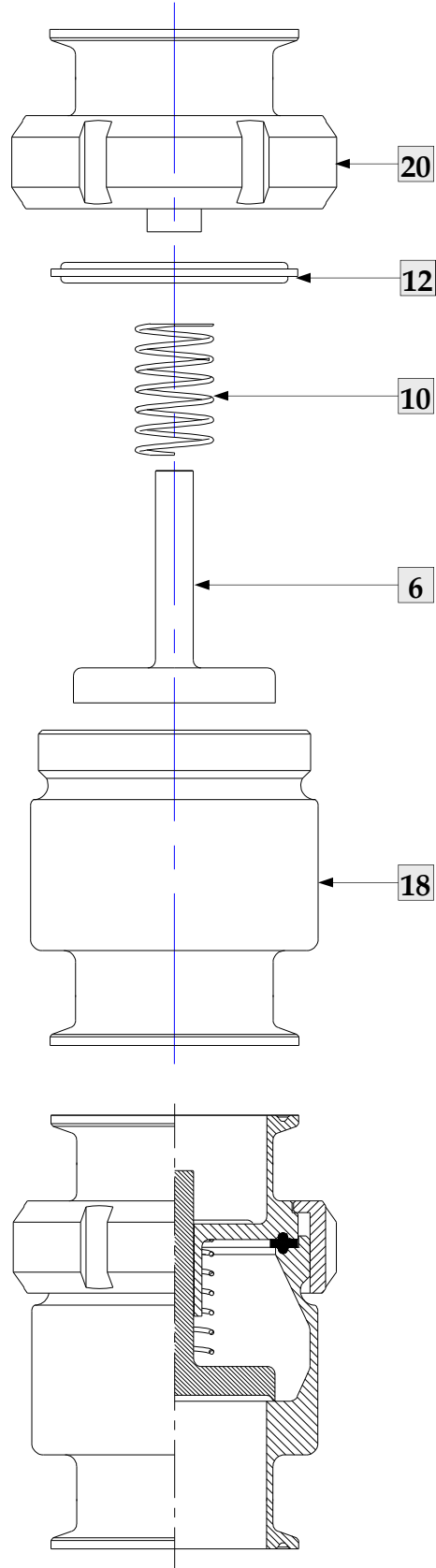


Metal/metal DN 38 – 125

**Large model without clamp**  
DIN and SMS standards



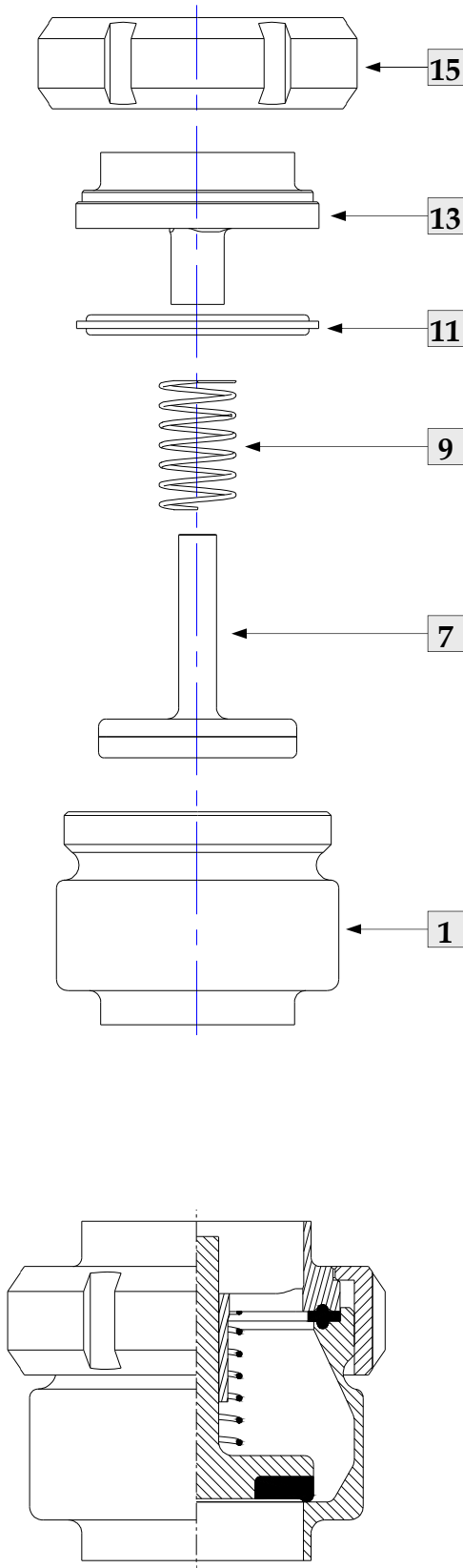
**Large model with clamp**  
US standard



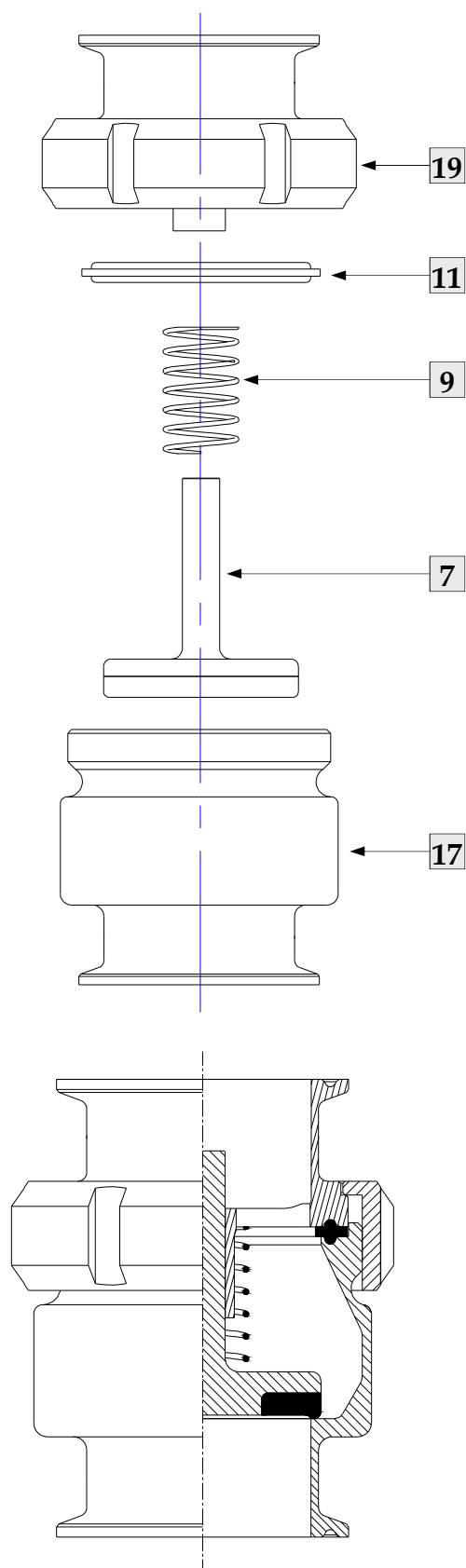
6 SPARE PARTS FOR NON-RETURN VALVES WITH DIPPED SEALS

Dipped seal DN 1" – 4"

Model without clamp  
US standard



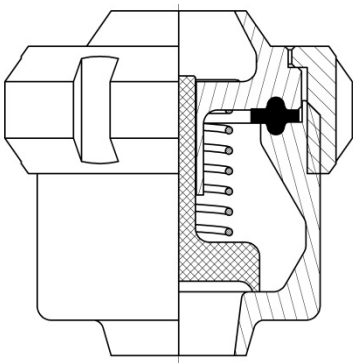
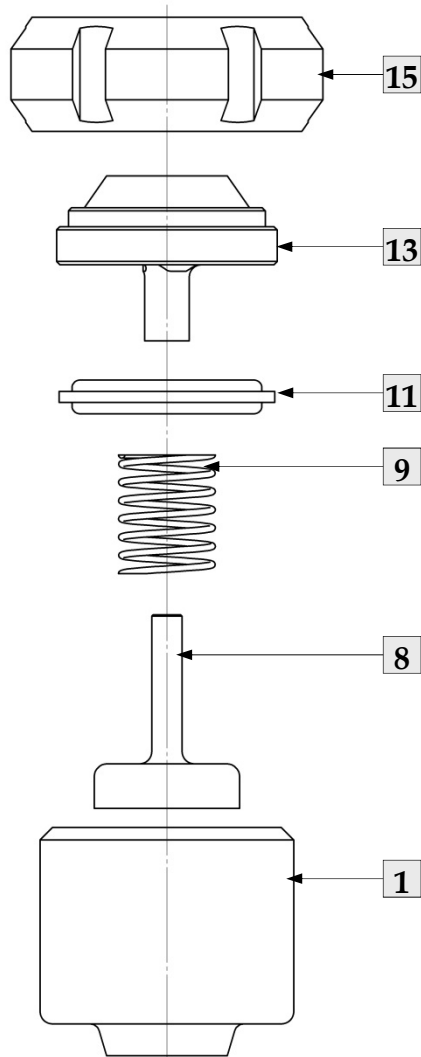
Model with clamp  
US standard



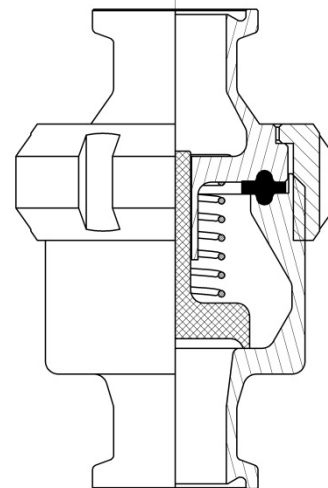
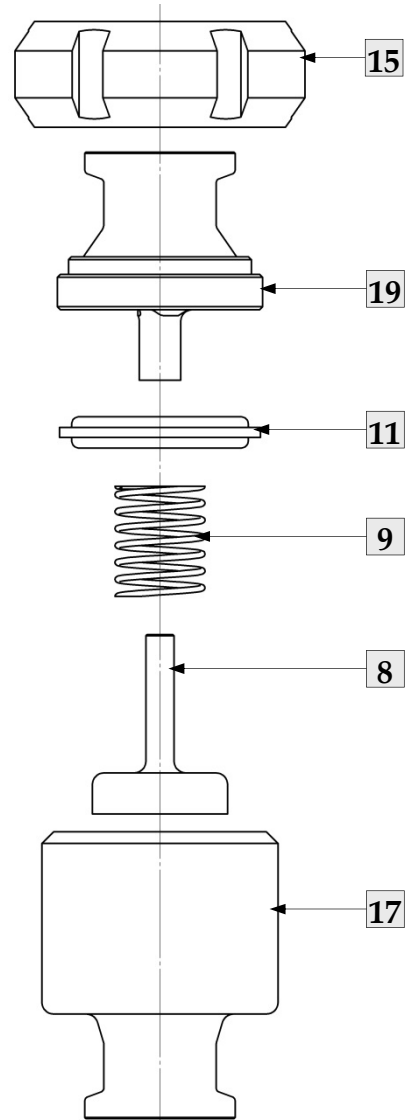
**7 SPARE PARTS FOR NON-RETURN VALVES WITH PFA PLUGS**

***PFA plug DN 1/2" – 3/4"***

**Small model without clamp**  
US standard



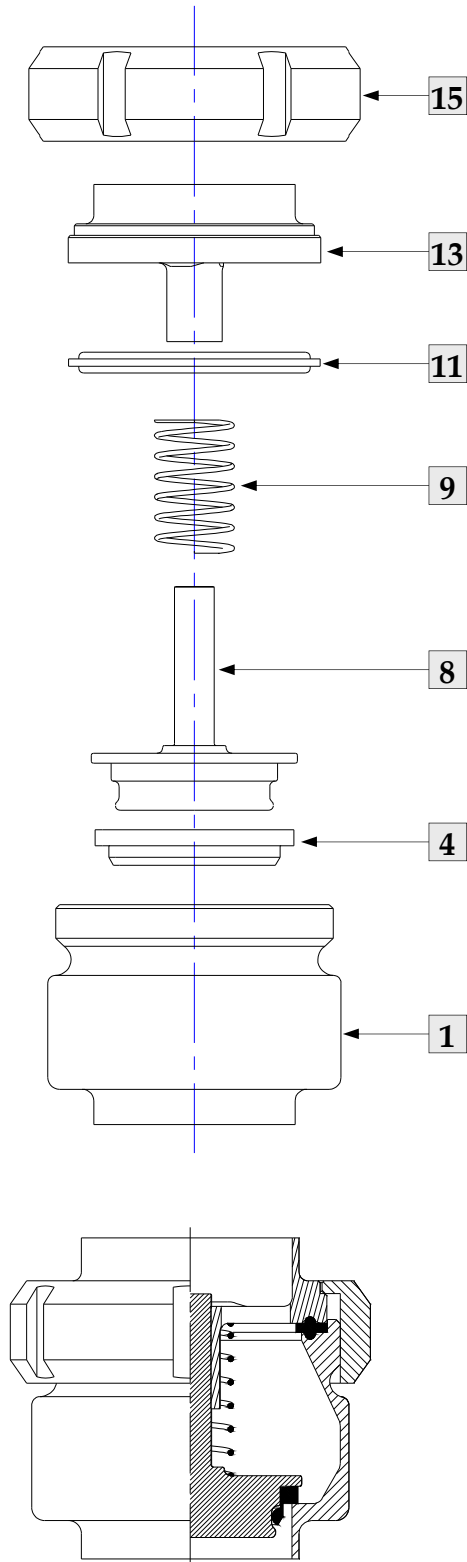
**Small model with clamp**  
US standard



8 SPARE PARTS FOR NON-RETURN VALVES WITH REMOVABLE PFA SEALS

Removable PFA seal DN 25 – 125

Large model without clamp  
DIN, SMS and US standards



**9 LIST OF SPARE PARTS FOR NON-RETURN VALVES WITH DN 25 – 125 (SMS AND DIN)**

**STANDARDS**

**SMS:**

Ref.	DESCRIPTION	Nbr	DN 25	DN 32	DN 38	DN 51	DN 63	DN 76	DN 104
1	Body	1	7500400	7500410	7500420	7500430	7500440	7500460	7500480
2	Body (metal/metal)	1	7500537		7500536	7500535	7500534	7500532	7500558
3	Plug seal (viton)	1	7500424			7500434	7500464	7500464	7500251
3	Plug seal (EPDM)	1	7000005			7000006	7000008	7000008	7000009
4	Plug seal (PFA)	1	7500517			7500519	7500521		7500523
5	Plug (viton seal)	1	7500421			7500431	7500461		7500491
6	Plug (metal/metal)	1	7500552		7500551	7500550	7500547		7500544
8	Plug (PFA seal)	1	7500518			7500520	7500522		7500524
9	Spring	1	7007707			7007724	7007730		
10	Spring (metal/metal)	1	7007827		7007729	7007707	7007724		7007730
11	Clamp seal (viton)	1	7440440			7440840	7441440		7441740
11	Clamp seal (EPDM)	1	7440444			7440844	7441444		7441744
11	Clamp seal (PTFE)	1	7440438			7440838	7441438		7441737
12	Metal/metal clamp seal (viton)	1	7440060		7440440	7440840	7441440		7441740
12	Metal/metal clamp seal (EPDM)	1	7440064		7440444	7440844	7441444		7441744
12	Metal/metal clamp seal (PTFE)	1			7440438	7440438	7440838		7441737
13	Plug guide	1	7500402	7500412	7500422	7500432	7500442	7500462	7500482
14	Plug guide (metal/metal)	1	7500553		7500422	7500432	7500442	7500462	7500482
15	Nut	1	7440421			7440821	7441421		7441726
16	Nut (metal/metal)	1	7440121		7440421	7440821	7441421		7441721

**DIN:**

Ref.	DESCRIPTION	Nbr	DN 25	DN 32	DN 40	DN 50	DN 65	DN80	DN 100	DN 125
1	Body	1	7500502	7500410	7500418	7500504	7500450	7500470	7500480	7500508
2	Body (metal/metal)	1					7500533	7500531		7500527
3	Plug seal (viton)	1	7500424			7500434	7500464	7500251		7500509
3	Plug seal (EPDM)	1	7000005			7000006	7000008	7000009		7000010
4	Plug seal (PFA)	1	7500517			7500519	7500521	7500523		7500525
5	Plug (viton seal)	1	7500421			7500431	7500461	7500491		7500507
6	Plug (metal/metal)	1					7500547	7500544		7500541
8	Plug (PFA seal)	1	7500518			7500520	7500522	7500524	7500524	7500526
9	Spring	1	7007707			7007724	7007730			7007793
10	Spring (metal/metal)	1					7007724	7007730		7007793
11	Clamp seal (viton)	1	7440440			7440840	7441440	7441740		7500510
11	Clamp seal (EPDM)	1	7440444			7440844	7441444	7441744		7500512
11	Clamp seal (PTFE)	1	7440438			7440838	7441438	7441737		
12	Metal/metal clamp seal (viton)	1					7441440	7441740		7500510
12	Metal/metal clamp seal (EPDM)	1					7441444	7441744		7500512
12	Metal/metal clamp seal (PTFE)	1					7441438	7441737		
13	Plug guide	1	7500503	7500412	7500419	7500505	7500452	7500472	7500482	7500511
14	Plug guide (metal/metal)	1					7500452	7500472		7500511
15	Nut	1	7440421			7440821	7441421	7441726		7441826
16	Nut (metal/metal)	1					7441421	7441726		7441826

**10 LIST OF SPARE PARTS FOR NON-RETURN VALVES WITH DN 3/8" – 4" (US AND JIS)**

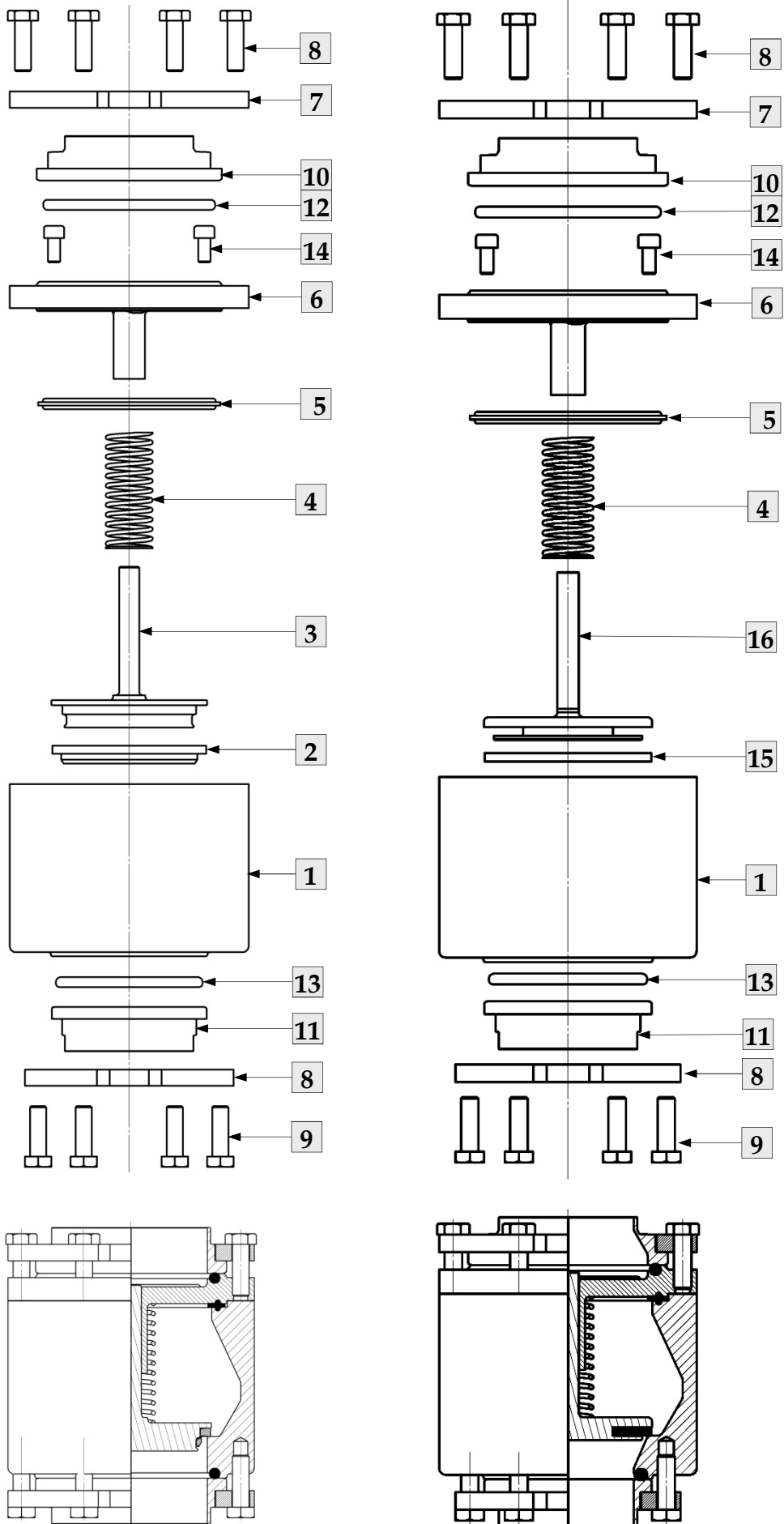
**US:**

Ref.	DESCRIPTION	Nbr	3/8"	1/2"	3/4"	1"	1 1/2"	2"	2 1/2"	3"	4"
1	Body	1		7500581	7500582	7500400	7500420	7500430	7500440	7500460	7500490
2	Body (metal/metal)	1				7500537	7500536	7500535	7500534	7500532	7500530
3	Plug seal (viton)	1				7500424		7500434	7500464		7500251
3	Plug seal (EPDM)	1				7000005		7000006	7000008		7000009
4	Plug seal (PFA)	1				7500517		7500519	7500521		7500523
5	Plug (viton seal)	1				7500421		7500431	7500461		7500491
6	Plug (metal/metal)	1		7500552			7500551	7500550	7500547		7500544
7	Plug (dipped)	1		7500803		7500596		7500595	7500594		7500593
8	Plug (PFA seal)	1		7500585		7500518		7500520	7500522		7500524
9	Spring	1		7007729		7007707		7007724	7007730		
10	Spring (metal/metal)	1		7007827			7007729	7007707	7007724		7007730
11	Clamp seal (viton)	1		7440060		7440440		7440840	7441440		7441740
11	Clamp seal (EPDM)	1		7440064		7440444		7440844	7441444		7441744
11	Clamp seal (PTFE)	1				7440438		7440838	7441438		7441737
12	Metal/metal clamp seal (viton)	1		7440060			7440440	7440840	7441440		7441740
12	Metal/metal clamp seal (EPDM)	1		7440064			7440444	7440844	7441444		7441744
12	Metal/metal clamp seal (PTFE)	1					7440438	7440838	7441438		7441737
13	Plug guide	1		7500583	7500584	7500402	7500422	7500432	7500442	7500462	7500492
14	Plug guide (metal/metal)	1				7500553	7500422	7500432	7500442	7500462	7500492
15	Nut	1		7500656		7500652		7500653	7500654		7500655
16	Nut (metal/metal)	1		7500656			7500652	7500653	7500654		7500655
17	S/E clamp body	1		7500621	7500620	7510400	7510420	7510430	7510440	7510460	7510490
18	S/E clamp body (metal/metal)	1		7500539	7500538	7510537	7510536	7510535	7510534	7510532	7510530
19	S/E clamp guide	1		7500619	7500618	7510402	7510422	7510432	7510442	7510462	7510492
20	S/E clamp guide (metal/metal)	1		7500619	7500618	7510553	7510422	7510432	7510442	7510462	7510492

**JIS:**

Ref.	DESCRIPTION	Nbr	1"	1 1/2"	2"	2 1/2"	3"	4"
21	Plug	1	7500638		7500637	7500635		7500634
22	S/E clamp body	1	7500622	7500624	7500626	7500628	7500630	7500632
23	Nut	1	7500326		7500327	7500328		7500493
24	S/E clamp guide	1	7500623	7500625	7500627	7500629	7500631	7500633

**11 SPARE PARTS FOR NON-RETURN VALVES INTERFLANGE COMPACT (EBC)**



**12 LIST OF SPARE PARTS FOR NON-RETURN VALVES INTERFLANGE COMPACT (EBC)**

Ref.	DESCRIPTION	Qté	SMS25 US1"	DIN25	SMS38 US1"1/2	DIN40	SMS51 US2"	DIN50
1	Body EBC	1	7510597		7510598		7510599	
2	Plug seal <b>P.F.A</b>	1	7510517				7500519	
3	Plug (PFA seal)	1	7500518				7500520	
4	Spring	1	7007707				7007724	
5	Clamp seal <b>FKM</b>	1	7440440				7440840	
5	Clamp seal <b>EPDM</b>	1	7440444				7440844	
5	Clamp seal <b>PTFE</b>	1	7440438				7440838	
6	Plug guide EBC	1	7510603				7510604	
7	Fixing flange EBC	1	7003477				7003478	
8	Fixing flange EBC	1	7003476		7003477		7003478	
9	H screw of flange	8	7006899					
10	End	1	7510607	7510638	7003487	7003488	7003489	7003490
11	End	1	7003483	7003484	7003487	7003488	7003489	7003490
12	Flange seal <b>EPDM</b>	1	7380158				7380121	
12	Flange seal <b>FKM</b>	1	7380607				7380612	
12	Flange seal <b>PTFE</b>	1	7380835				7380981	
13	Flange seal <b>EPDM</b>	1	7006369		7380158		7380121	
13	Flange seal <b>FKM</b>	1	7006262		7380607		7380612	
13	Flange seal <b>PTFE</b>	1	7380974		7380835		7380981	
14	CHC screw of guide	4	7006740				7380040	
15	Plug seal <b>FKM</b>	1	7500424				7500434	
15	Plug seal <b>EPDM</b>	1	7000005				7000006	
16	Plug ( <b>FKM</b> or <b>EPDM</b> seal)	1	7500421				7500431	

Ref.	DESCRIPTION	Qté	SMS63 US2"1/2	DIN65	SMS76 US3"	DIN80	SMS104 DIN100	US4"
1	Body EBC	1	7510600	7510636	7510601	7510602		
2	Plug seal <b>P.F.A</b>	1	7500521				7500523	
3	Plug (PFA seal)	1	7500522				7500524	
4	Spring	1	7007730					
5	Clamp seal <b>FKM</b>	1	7441440				7441740	
5	Clamp seal <b>EPDM</b>	1	7441444				7441744	
5	Clamp seal <b>PTFE</b>	1	7441438				7441737	
6	Plug guide EBC	1	7510605				7510606	
7	Fixing flange EBC	1	7003480	7003480		7003482		
8	Fixing flange EBC	1	7003479	7003480		7003482		
9	H screw of flange	12-16	7006729					
10	End	1	7510608	7510637	7003493	7510639	7003496	7003495
11	End	1	7003491	7003492	7003493	7510639	7003496	7003495
12	Flange seal <b>EPDM</b>	1	7380920				7380146	
12	Flange seal <b>FKM</b>	1	7380921				7006120	
12	Flange seal <b>PTFE</b>	1	7380984				7380983	
13	Flange seal <b>EPDM</b>	1	7380124	7006139	7380920	7380146		
13	Flange seal <b>FKM</b>	1	7010753	7006124	7380921	7006120		
13	Flange seal <b>PTFE</b>	1	7380982	7380985	7380984	7380983		
14	CHC screw of guide	4	7380374					
15	Plug seal <b>FKM</b>	1	7500464				7500251	
15	Plug seal <b>EPDM</b>	1	7000008				7000009	
16	Plug ( <b>FKM</b> or <b>EPDM</b> seal)	1	7500461				7500491	



**13 LIST OF SEALS KITS OF NON-RETURN VALVES INTERFLANGE COMPACT (EBC)**

**Seal kits of flange EPDM :**

Diameter			DN25 SMS	DN38 SMS	DN51 SMS	DN63 SMS		DN76 SMS	DN104 SMS
			DN25 DIN	DN40 DIN	DN50 DIN		DN65 DIN		DN80-100 DIN
			DN1" US	DN1"1-2 US	DN2" US	DN2"1/2 US		DN3" US	DN4" US
<b>Kit No.</b>			<b>7071573</b>	<b>7071574</b>	<b>7071575</b>	<b>7071576</b>	<b>7071577</b>	<b>7071578</b>	<b>7071579</b>
Guide	Description	Qty	Seal reference						
12	Flange seal <b>EPDM</b>	1	7380158		7380121	7380920			7380146
13	Flange seal <b>EPDM</b>	1	7006369	7380158	7380121	7380124	7006139	7380920	7380146

**Seal kits of flange FKM :**

Diameter			DN25 SMS	DN38 SMS	DN51 SMS	DN63 SMS		DN76 SMS	DN104 SMS
			DN25 DIN	DN40 DIN	DN50 DIN		DN65 DIN		DN80-100 DIN
			DN1" US	DN1"1-2 US	DN2" US	DN2"1/2 US		DN3" US	DN4" US
<b>Kit No.</b>			<b>7071580</b>	<b>7071581</b>	<b>7071582</b>	<b>7071583</b>	<b>7071584</b>	<b>7071585</b>	<b>7071586</b>
Guide	Description	Qty	Seal reference						
12	Flange seal <b>FKM</b>	1	7380607		7380612	7380921			7006120
13	Flange seal <b>FKM</b>	1	7006262	7380607	7380612	7010753	7006124	7380921	7006120

**Seal kits of flange PTFE :**

Diameter			DN25 SMS	DN38 SMS	DN51 SMS	DN63 SMS		DN76 SMS	DN104 SMS
			DN25 DIN	DN40 DIN	DN50 DIN		DN65 DIN		DN80-100 DIN
			DN1" US	DN1"1-2 US	DN2" US	DN2"1/2 US		DN3" US	DN4" US
<b>Kit No.</b>			<b>7071587</b>	<b>7071588</b>	<b>7071589</b>	<b>7071590</b>	<b>7071591</b>	<b>7071592</b>	<b>7071593</b>
Guide	Description	Qty	Seal reference						
12	Flange seal <b>PTFE</b>	1	7380835		7380981	7380984			7380983
13	Flange seal <b>PTFE</b>	1	7380974	7380835	7380981	7380982	7380985	7380984	7380983

[www.definox.com](http://www.definox.com)

**FRANCE**

DEFINOX SAS  
3 Rue des Papetiers - Z.A.C de Tabari 2  
44190 CLISSON - France  
Tel : +33 (0)2 28 03 98 50 Fax : +33 (0)2 28 03 88 00  
[info@definox.com](mailto:info@definox.com)

**USA**

DEFINOX INC.  
16720 W. Victor Road  
New Berlin – WISCONSIN 53151 – USA  
Tel : (1) 262 797 5730 - Fax : (1) 262 797 5735  
[lbuckett@definox-usa.com](mailto:lbuckett@definox-usa.com)

**CHINA**

DEFINOX Beijing Stainless Steel Equipment Ltd  
No 18 Anningzhuang East Road – HAIDIAN District  
BEIJING 100085 – CHINA  
Tel : (86) 10.6293.4909 - Fax : (86) 10.6293-4835  
[lk@definox.com.cn](mailto:lk@definox.com.cn)

The product specifications of this document are indicative and may be modified according to technological developments.  
None of the photographs, designs and diagrams are binding.

This document is our property. It may not be copied, reproduced, modified or translated without our express authorization.  
DEFINOX is a registered trademark.