

Technical Data Sheet

Commutator motors F 457, F 457 EL



More than just pumps



Advantages/characteristics:

- ▶ Powerful commutator motor
- ▶ Low noise level
- ▶ Compact design
- ▶ Easy to handle
- ▶ Optionally with integrated no-volt release
- ▶ Very good air cooling
- ▶ F 457 EL: with stepless speed setting to regulate the rising medium



| Technical data/type | F 457 | F 457 EL |
|-----------------------------------------|------------------------------|----------|
| Motor type | Single phase universal motor | |
| Housing, material | Polypropylene | |
| Venting | Internally ventilated | |
| Motor protection | Circuit breaker | |
| Low-voltage protection | Optional | |
| Speed setting, stepless | No | Yes |
| Power supply cable (100 - 240 V) | H 05 RN-F 2X 1,0 | |
| Standard cable length (m) ¹⁾ | 5 | |
| Standard plug ²⁾ | CEE 7 / 17 | |
| Weight (kg) | 4,0 | |

| Certificates | |
|-------------------------------------------------|---------------------------|
| Operation category as per EN 60034-1 (VDE 0530) | S1 (continuous operation) |
| Protection class as per DIN EN 60 529 | IP 24 |
| Operating range | |
| Operating temperature (°C) | -20 to +40 |

1) Other cable lengths available on request 2) Other plugs available on request

| Nominal data for F 457, output 800 Watt | | | | | |
|-----------------------------------------|------------|------------|------------|------------|-----|
| Nominal voltage (V) ¹⁾ | 240 | 230 | 120 | 110 | |
| Nominal frequency (Hz) | 50 | 50 | 50 - 60 | 60 | 50 |
| Nominal output (W) | 800 | | | | |
| Nominal speed (R/min) | 9 000 | | | | |
| Nominal current (A) | 3,7 | 3,8 | 3,8 | 7,5 | 7,8 |
| Protection class | II | II | II | II | II |

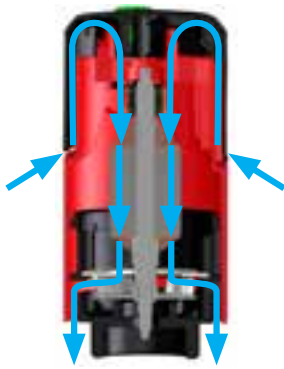
| Nominal data for F 457 EL, output 800 Watt | | | | | |
|--------------------------------------------|------------|------------|------------|------------|--|
| Nominal voltage (V) | 240 | 230 | 120 | 110 | |
| Nominal frequency (Hz) | 50 | 50 | 60 | 50 | |
| Nominal output (W) | 800 | | | | |
| Nominal speed (R/min) | 9 000 | | | | |
| Nominal current (A) | 3,7 | 3,8 | 7,5 | 7,8 | |
| Protection class | II | II | II | II | |

1) The 230 V version without low-voltage protection can also be operated with 60 Hz.
The speed is reduced by approx. 5 % (with the same input power). Power consumption increases by 5 %.

Technical Data Sheet

Commutator motors F 457, F 457 EL

Design:

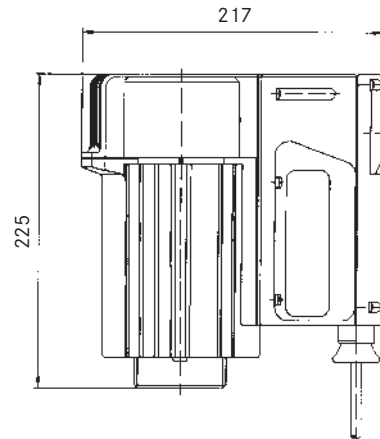


F 457 internally ventilated.

The cooling air flows through the chambers of the double housing.

The arrows show the direction of the cooling air through the chambers of the double housing.

Dimensions [mm]:



Part numbers:

| Voltage (Volt) | Frequency (Hz) | Output (Watt) | Cable length (m) | Plug CEE 7/7 | Part no. | |
|------------------------------------|----------------|---------------|------------------|--------------|------------------------|---------------|
| | | | | | Low-voltage protection | |
| Motor F 457, without speed setting | | | | | with | without |
| 240 | 50 | 800 | 5 | CEE 7/17 | 10-457 01 006 | 10-457 01 007 |
| | | | 5 | - | 10-457 01 013 | 10-457 01 012 |
| 230 | 50 | | 5 | CEE 7/17 | 10-457 01 005 | 10-457 01 002 |
| | | | 5 | - | 10-457 01 039 | 10-457 01 038 |
| 120 | 50-60 | | 5 | CEE 7/17 | - | 10-457 01 037 |
| | 60 | | 5 | NEMA 1-15P | 10-457 01 004 | 10-457 01 000 |
| 110 | 50 | | 5 | CEE 7/17 | 10-457 01 009 | 10-457 01 010 |
| | | | 5 | - | 10-457 01 015 | 10-457 01 014 |
| Motor F 457 EL, with speed setting | | | | | with | without |
| 240 | 50 | 800 | 5 | CEE 7/17 | 10-457 01 008 | - |
| | | | 5 | - | 10-457 01 016 | - |
| 230 | 50 | | 5 | CEE 7/17 | 10-457 01 003 | 10-457 01 041 |
| | | | 5 | - | 10-457 01 040 | - |
| 120 | 60 | | 5 | NEMA 1-15P | 10-457 01 001 | - |
| | | | 5 | CEE 7/17 | 10-457 01 011 | - |
| 110 | 50 | | 5 | - | 10-457 01 017 | - |