

I Application

The bottom side entry agitators are used in process and storage tanks in the applications of the food-processing industry.

The main application is agitation of low viscosity products like wine, oil, milk, beer, alcohol, etc. in large volume tanks.

I Operating principle

The LR agitators are driven by geared motors and the LM agitators are provided with direct motors.

These agitators are installed in a slanted position.

The rotation of the propeller creates a flow that impells the product to the bottom of the tank and then raises up to the surface along the wall opposite to the agitator. The effect is promoted if the bottom is rounded.

The agitator is installed decentralized to enhance the circular flow. Thus, a complete homogenization of the product is achieved.

I Design and features

Side-entry agitator.

Internal mechanical seal: EN12756 (DIN 24960 L1K).

Economical for use in large volume tanks.

Robust and sanitary design.

Easy maintenance.

The propeller fixed to the shaft by means of a threaded connection and a gasket.

Helical geared motors with food-grade oil.

Motor: 3 ph, 230/400 V, 50 Hz, IP55, 1500 rpm.

Marine propeller (Type10).



Propeller Type 19

I Materials

Parts in contact with the product	AISI 316L
Lantern and bearing support	GG 15
Mechanical seal	C/SiC/EPDM
Gaskets	EPDM
Surface finish	Ra ≤ 0,8 µm



I Options

- SiC/SiC mechanical seal.
- Double mechanical seal.
- Gaskets: FPM.
- Safety packing.
- High flow (Type 19) propeller for LR agitators.
- St.St. motor shroud.
- Motors with other protections.
- ATEX (LR) model available.

I Technical specifications

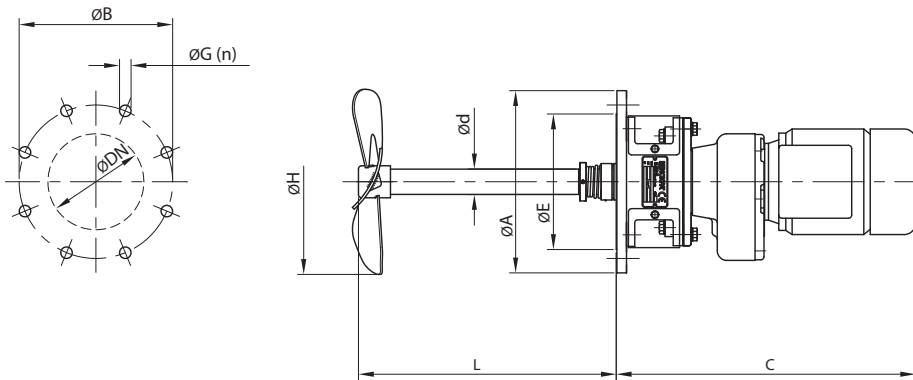
Type	Flow ¹ [gpm]	Tank ² [gallon]	Speed [rpm]	Power [Hp]	Weight [lb]
LR 1.10-20005-1-325	1092	1320-5280	200	0,75	119
LR 1.10-20007-1-400	2025	5280-13200		1	126
LR 1.10-20015-1-500	4051	13200-26400		2	141
LR 1.10-20030-1-600	6846	26400-39600		4	170
LR 1.10-20040-1-650	8709	39600-52800		5,5	298

Type	Flow ¹ [gpm]	Tank ² [gallon]	Speed [rpm]	Power [Hp]	Weight [lb]
LM 1.10-4015-1-175	1233	1320-5280	1500	2	101
LM 1.10-4030-1-200	1849	5280-13200		4	124
LM 1.10-4055-1-225	2615	13200-21100		7,5	146
LM 1.10-4075-1-250	3610	21100-37000		10	165
LM 1.10-4110-1-275	4781	37000-52800		15	320
LM 1.10-6011-1-200	1211	1320-5280	1000	1,5	106
LM 1.10-6022-1-225	1717	5280-15850		3	137
LM 1.10-6030-1-250	2466	15850-23800		4	146
LM 1.10-6055-1-275	3170	23800-39600		7,5	165
LM 1.10-6075-1-300	4139	39600-52800		10	331
LM 1.10-6110-1-350	6428	52800-79200		15	401

(1) Theoretical flow.
 (2) Tank volume recommended to keep the product homogeneous.

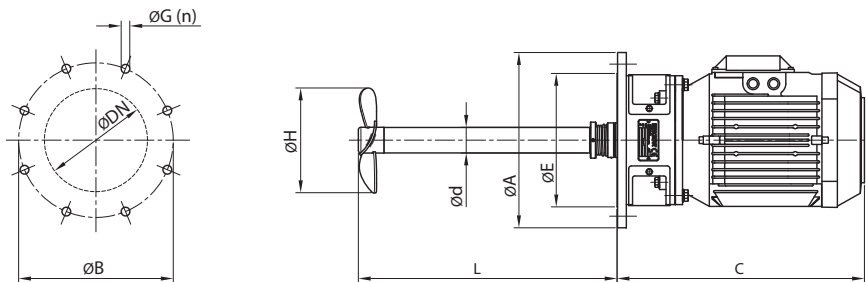


I Dimensions LR



Type	Flange					Agitator shaft		H	C _{max}
	$\varnothing DN$	$\varnothing A$	$\varnothing B$	$\varnothing E$	$\varnothing G (n)$	$\varnothing d$	L		
LR 1.10-20005-1-325	5,90	11,22	9,45	8,35	0,71 (8)	1,58	15,75	12,80	18,43
LR 1.10-20007-1-400	5,90	11,22	9,45	8,35	0,71 (8)	1,58	15,75	15,75	18,43
LR 1.10-20015-1-500	5,90	11,22	9,45	8,35	0,71 (8)	1,58	15,75	19,69	20,08
LR 1.10-20030-1-600	7,87	13,39	11,61	10,20	0,91 (8)	1,97	19,69	23,62	22,44
LR 1.10-20040-1-650	9,84	15,55	13,78	12,28	0,91 (12)	2,36	19,69	25,59	27,95

I Dimensions LM



Type	Flange					Agitator shaft		H	C _{max}
	$\varnothing DN$	$\varnothing A$	$\varnothing B$	$\varnothing E$	$\varnothing G (n)$	$\varnothing d$	L		
LM 1.10-4015-1-175	5,91	11,22	9,45	8,35	0,71 (8)	1,57	15,75	6,89	14,76
LM 1.10-4030-1-200	5,91	11,22	9,45	8,35	0,71 (8)	1,57	19,69	7,87	15,94
LM 1.10-4055-1-225	7,87	13,39	11,61	10,20	0,91 (8)	1,97	19,69	8,86	19,69
LM 1.10-4075-1-250	7,87	13,39	11,61	10,20	0,91 (8)	1,97	19,69	9,84	19,69
LM 1.10-4110-1-275	9,84	15,55	13,78	12,28	0,91 (12)	2,36	23,62	10,83	27,36
LM 1.10-6011-1-200	5,91	11,22	9,45	8,35	0,71 (8)	1,57	15,75	7,87	14,76
LM 1.10-6022-1-225	5,91	11,22	9,45	8,35	0,71 (8)	1,57	19,69	8,86	16,73
LM 1.10-6030-1-250	7,87	13,39	11,61	10,20	0,91 (8)	1,97	19,69	9,84	19,69
LM 1.10-6055-1-275	7,87	13,39	11,61	10,20	0,91 (8)	1,97	19,69	10,83	19,69
LM 1.10-6075-1-300	9,84	15,55	13,78	12,28	0,91 (12)	2,36	23,62	11,81	27,36
LM 1.10-6110-1-350	9,84	15,55	13,78	12,28	0,91 (12)	2,36	23,62	13,78	27,36



FTLR/LM.3.USA_0620