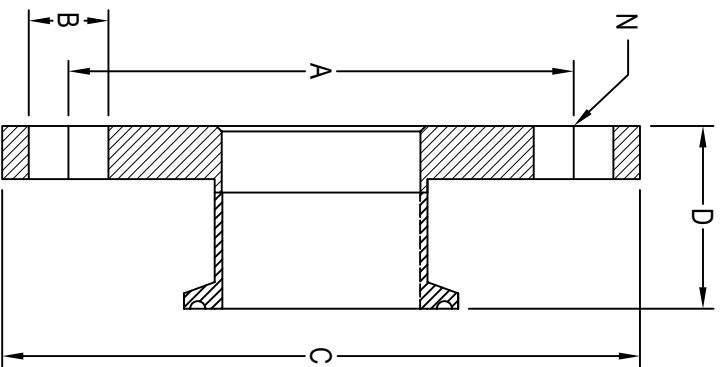


HS-38MP (AC17F) FLANGE X TC ADAPTOR



CLAMP SIZE	A	B	C	D	N	SS-304 Item No.	SS-316L Item No.
1"	3.125	.625	4.250	1.625	4	1.00" HS-38MP-4-7	1.00" HS-38MP-6-7
1½"	3.875	.625	5.000	1.625	4	1.50" HS-38MP-4-7	1.50" HS-38MP-6-7
2"	4.750	.750	6.000	1.750	4	2.00" HS-38MP-4-7	2.00" HS-38MP-6-7
2½"	5.500	.750	7.000	1.750	4	2.50" HS-38MP-4-7	2.50" HS-38MP-6-7
3"	6.000	.750	7.500	1.750	4	3.00" HS-38MP-4-7	3.00" HS-38MP-6-7
4"	7.500	.750	9.000	1.750	8	4.00" HS-38MP-4-7	4.00" HS-38MP-6-7
5"	8.500	.875	10.000	1.875	8	5.00" HS-38MP-4-7	5.00" HS-38MP-6-7
6"	9.500	.875	11.000	2.250	8	6.00" HS-38MP-4-7	6.00" HS-38MP-6-7
8"	11.750	.875	13.500	2.250	8	8.00" HS-38MP-4-7	8.00" HS-38MP-6-7

All dimensions in inches.