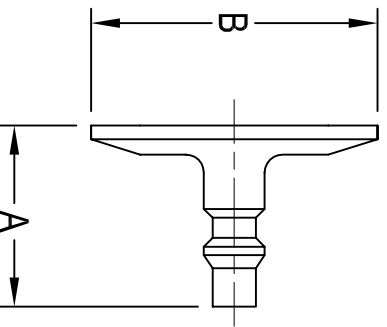


HS-85MPQC PNEUMATIC ADAPTOR TC X QUICK CONNECT



CLAMP SIZE	A	B	QUICK CONNECT	SS-316L Item No.
$\frac{1}{2}$ " & $\frac{3}{4}$ "	$1\frac{1}{4}$ "	0.992"	$\frac{1}{4}$ "	0.50" & 0.75" HS-85MPQC-A
1 & $1\frac{1}{2}$ "	$1\frac{1}{4}$ "	1.984"	$\frac{1}{4}$ "	1.00" & 1.50" HS-85MPQC-B

All dimensions in inches.

MAY 2021



www.halesoninc.com