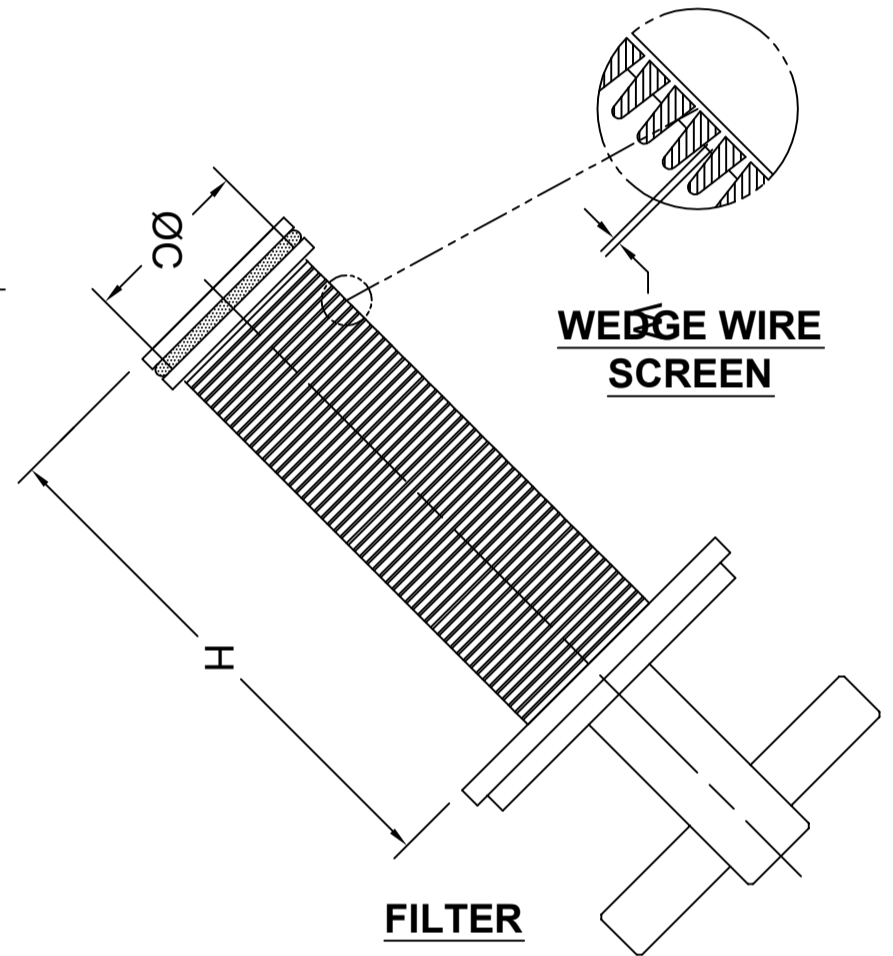
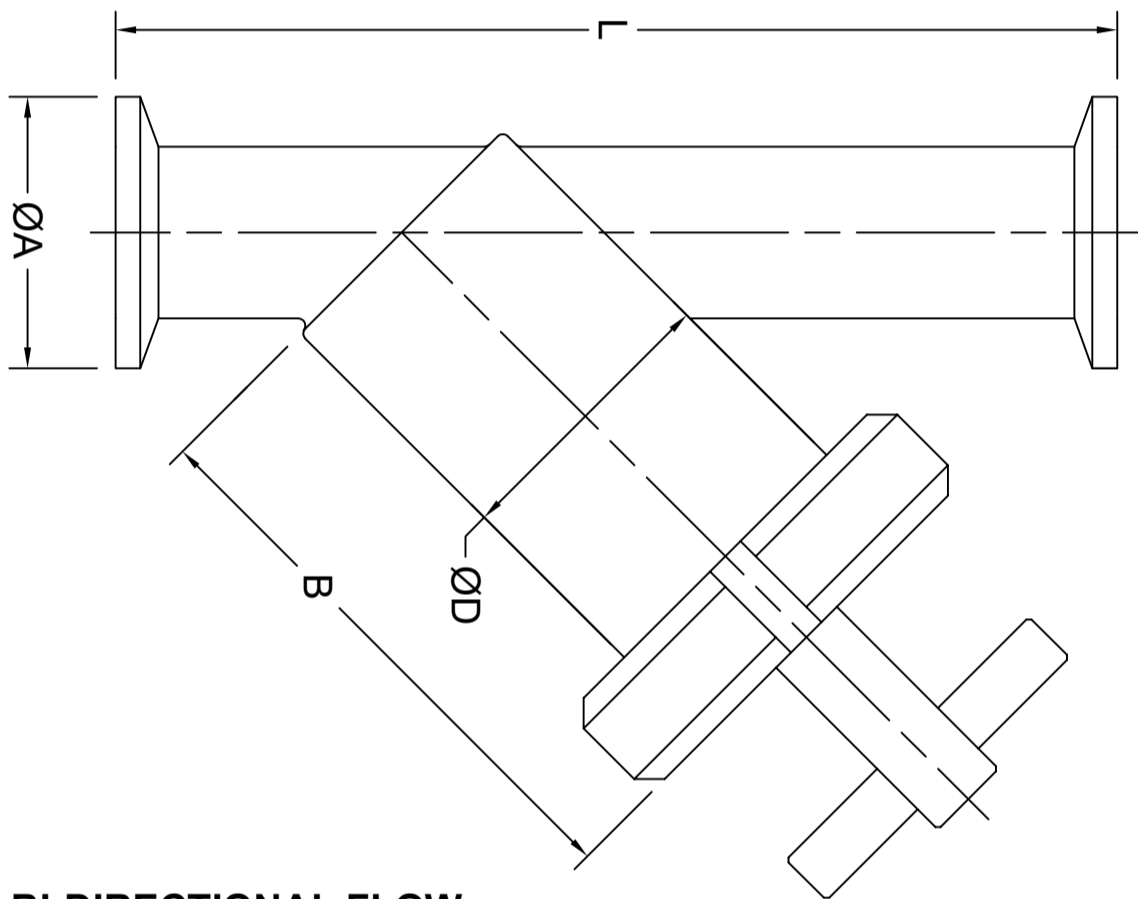


| Y-TYPE WEDGE WIRE FILTER | | | | | | FILTER | |
|--------------------------|------|------------|-----------|------------|-----------|------------|-----------|
| SIZE | | ØA [mm] | L [mm] | ØD [mm] | B [mm] | ØC [mm] | H [MM] |
| [inch] | [mm] | | | | | | |
| 1 | 25 | 50.5 | 170 | 45 | 110 | 30 | 98 |
| 1.5 | 38 | 50.5 | 205 | 63 | 130 | 40 | 118 |
| 2 | 51 | 64 | 225 | 76 | 150 | 52 | 138 |
| 2.5 | 63 | 77.5 | 275 | 89 | 185 | 70 | 173 |
| 3 | 76 | 91 | 310 | 102 | 205 | 70 | 193 |
| 4 | 102 | 119 | 390 | 133 | 270 | 100 | 258 |

| WEDGE WIRE SCREEN | | | |
|-------------------|-----------------|----------------|--------------------------|
| W (mm) | MICRONS (µm) | MESH EQUIV. | USEFUL SURFACE (%) |
| 0.40 | 400 | 40 | 28 |
| 0.30 | 300 | 60 | 23 |
| 0.20 | 200 | 80 | 17 |
| 0.10 | 100 | 165 | 10 |
| 0.05 | 50 | 325 | 5 |

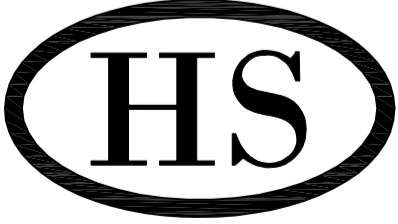


- * BI-DIRECTIONAL FLOW
- * LONG LIFE WEDGE WIRE
- * CAN CLEAN FILTER WITHOUT REMOVING FROM PIPELINE

NOTES:

1. DIMENSIONS ARE FOR REFERENCE ONLY.
2. SANITARY POLISH INSIDE/OUTSIDE.
3. SILICONE SEALS.

| REQUIRED BY CUSTOMER | | | | | | |
|----------------------|-----|-----------|----------|--------|--------------------|--------------------------|
| SIZE | QTY | MESH SIZE | MATERIAL | | APPROVAL SIGNATURE | DATE (day/month/year) |
| | | | SS304 | SS316L | | |
| | | | | | | |

| | | | |
|--|---|-----------------------|--------------|
|  | TITLE: | | |
| | HS Y TYPE CONNECTION WEDGE WIRE FILTER / STRAINER | | |
| Sanitaire / Biopharma / Industriel | SIZE | DRAWING NO. | REV |
| WWW.HALESONINC.COM Tel. (450) 686-6663 Fax. (450) 686-7776 | A | HS-YTYPE-WEDGE-FILTER | 0 |
| SCALE: NONE | DATE: 15 JANUARY 2020 | | SHEET 1 OF 1 |