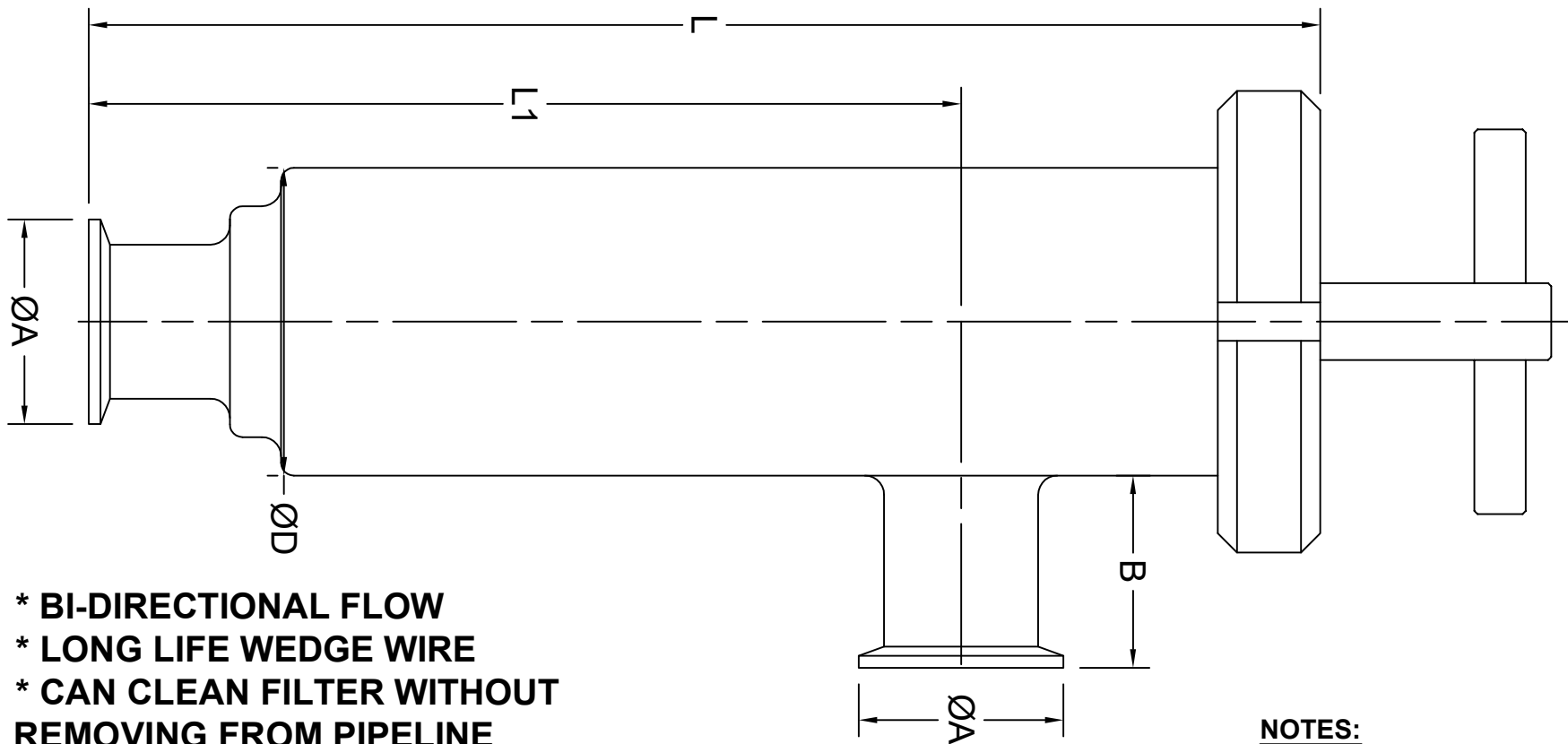
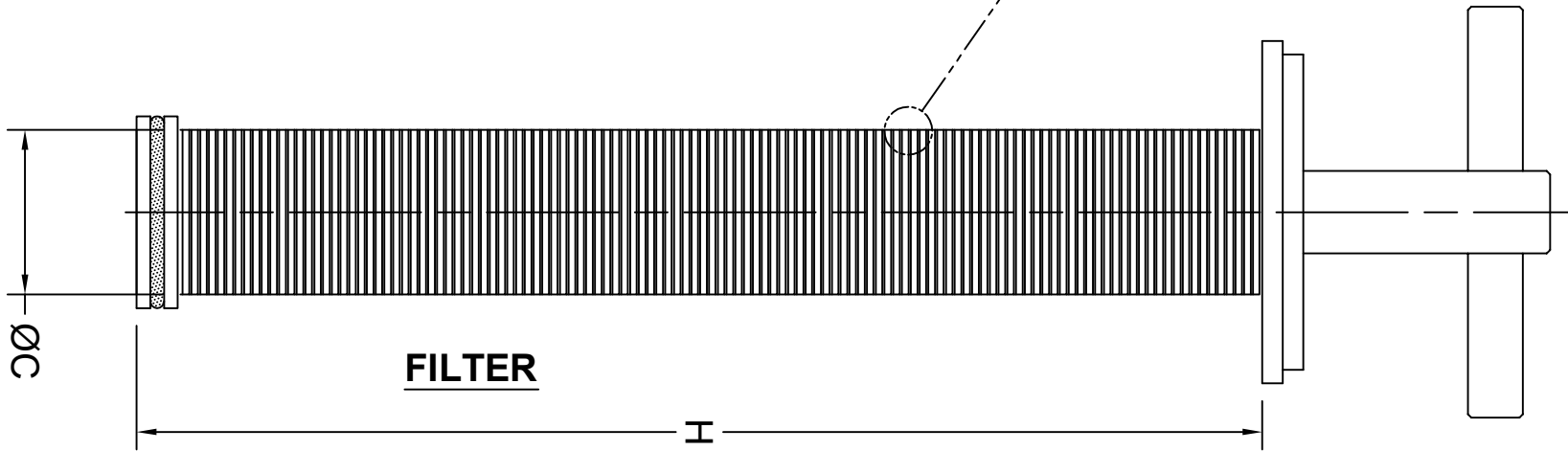
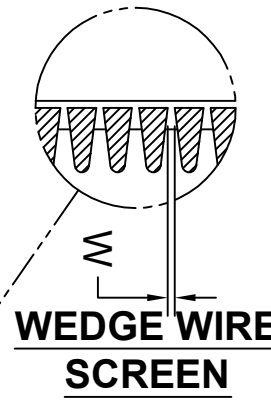


L-BODY WEDGE WIRE FILTER						FILTER		
SIZE		ØA [mm]	L [mm]	L1 [mm]	ØD [mm]	B [mm]	ØC [mm]	H [MM]
[inch]	[mm]							
1	25	50.5	306	240	76	40	53	256
1.5	38	50.5	306	240	76	40	53	256
2	51	64	406	295	89	40	57	356
2.5	63	77.5	506	386	102	40	70	466
3	76	91	570	422	114	45	80	516
4	102	119	660	520	159	50	114	620

WEDGE WIRE SCREEN			
W (mm)	MICRONS (µm)	MESH EQUIV.	USEFUL SURFACE (%)
0.40	400	40	28
0.30	300	60	23
0.20	200	80	17
0.10	100	165	10
0.05	50	325	5

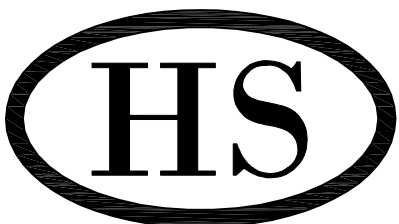


- * BI-DIRECTIONAL FLOW
- * LONG LIFE WEDGE WIRE
- * CAN CLEAN FILTER WITHOUT REMOVING FROM PIPELINE

NOTES:

1. DIMENSIONS ARE FOR REFERENCE ONLY.
2. SANITARY POLISH INSIDE/OUTSIDE.
3. SILICONE SEALS.

REQUIRED BY CUSTOMER						
SIZE	QTY	MESH SIZE	MATERIAL		APPROVAL SIGNATURE	DATE (day/month/year)
			SS304	SS316L		

	TITLE:		
	HS SIDE 'L' CONNECTION WEDGE WIRE FILTER / STRAINER		
Sanitaire / Biopharma / Industriel	SIZE	DRAWING NO.	REV
WWW.HALESONINC.COM Tel. (450) 686-6663 Fax. (450) 686-7776	A	HS-LTYPE-WEDGE-FILTER	0
SCALE: NONE	DATE: 15 JANUARY 2020		SHEET 1 OF 1