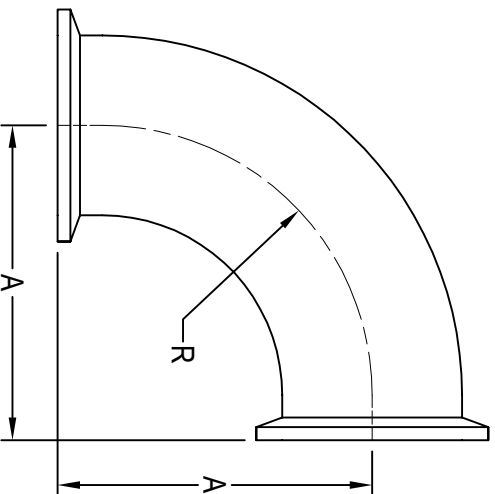


BPE HS-2CMP 90° CLAMP ELBOW



CLAMP SIZE	A	R	Wall Thickness	BPE SS316L Item No.
1/2"	1.625	1.125	0.065	0.50" HS-2CMP-B-7
3/4"	1.625	1.125	0.065	0.75" HS-2CMP-B-7
1"	2.000	1.500	0.065	1.00" HS-2CMP-B-7
1 1/2"	2.750	2.250	0.065	1.50" HS-2CMP-B-7
2"	3.500	3.000	0.065	2.00" HS-2CMP-B-7
2 1/2"	4.250	3.750	0.065	2.50" HS-2CMP-B-7
3"	5.000	4.500	0.065	3.00" HS-2CMP-B-7
4"	6.625	6.000	0.083	4.00" HS-2CMP-B-7
6"	10.500	9.000	0.109	6.00" HS-2CMP-B-7

All dimensions in inches.

JUNE 2021



www.halesoninc.com