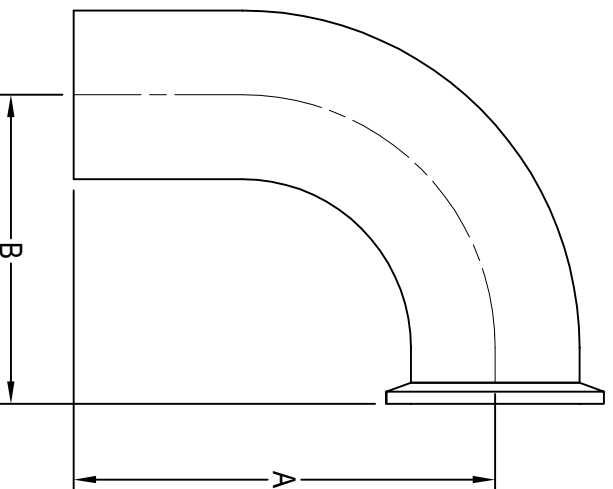


BPE HS-2CMS ELBOW 90° WELD X CLAMP



TUBE OD	A	B	Wall Thickness	BPE SS-316L Item No.
1/2"	3.000	1.625	.065	0.50" HS-2CMS-B-7
3/4"	3.000	1.625	.065	0.75" HS-2CMS-B-7
1"	3.000	2.000	.065	1.00" HS-2CMS-B-7
1 1/2"	3.750	2.750	.065	1.50" HS-2CMS-B-7
2"	4.750	3.500	.065	2.00" HS-2CMS-B-7
2 1/2"	5.500	4.250	.065	2.50" HS-2CMS-B-7
3"	6.250	5.000	.065	3.00" HS-2CMS-B-7
4"	8.000	6.625	.083	4.00" HS-2CMS-B-7
6"	11.500	10.500	.109	6.00" HS-2CMS-B-7

All dimensions in inches.

JUNE 2021



www.halesoninc.com