

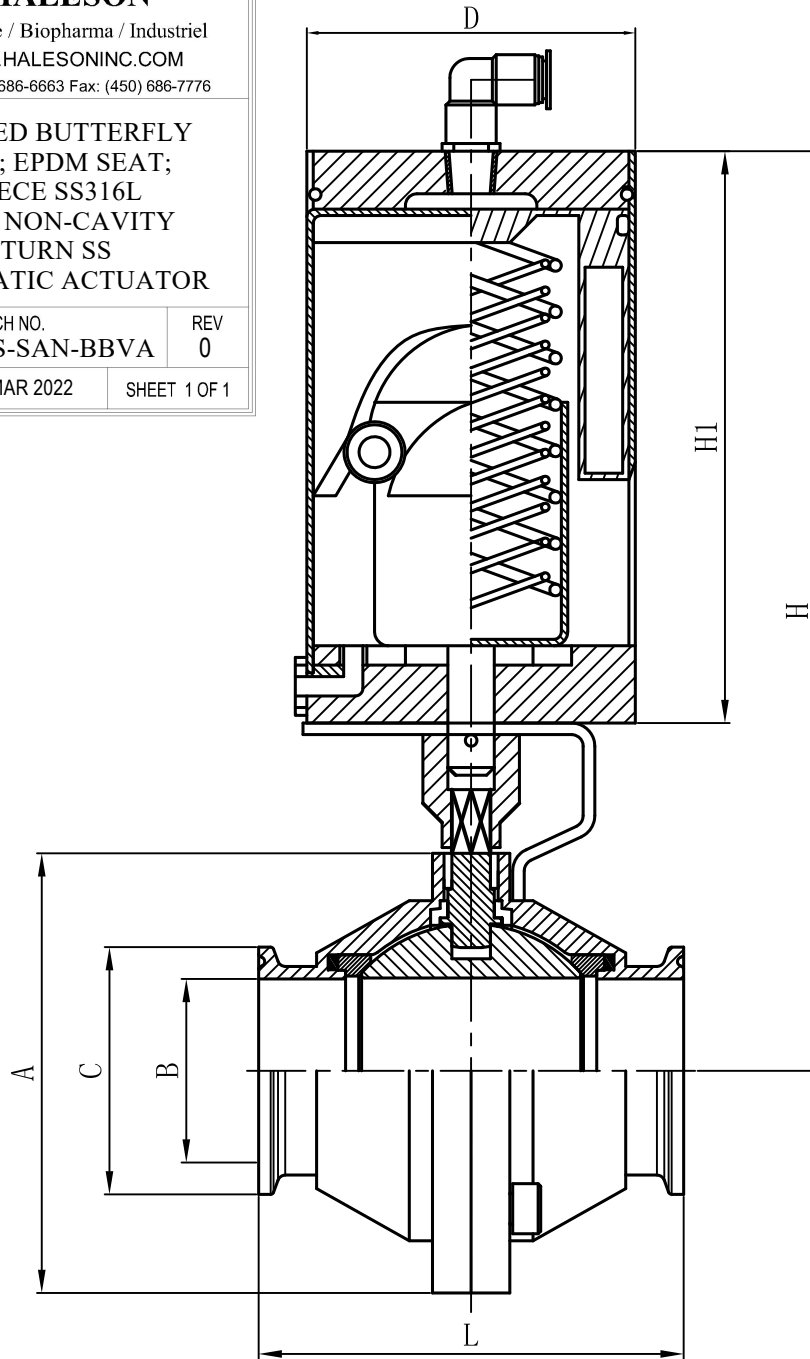


HALESON

Sanitaire / Biopharma / Industriel
 www.HALESONINC.COM
 Tel: (450) 686-6663 Fax: (450) 686-7776

TITLE: **SANITARY CLAMPED BUTTERFLY
 TYPE BALL VALVE; EPDM SEAT;
 PTFE O-RINGS; 2-PIECE SS316L
 BODY; FULL PORT; NON-CAVITY
 FILLED; SPRING RETURN SS
 VERTICAL PNEUMATIC ACTUATOR**

MATERIAL:	SIZE	SKETCH NO.	REV
	A	HS-SAN-BBVA	0
DATE:	2 MAR 2022		SHEET 1 OF 1



Size	A	L	B	C	D	H1	H
1/2"	64	70	9.4	25.2	85	148	216
3/4"	64	70	15.75	25.2	85	148	216
1"	76.5	85	22.1	50.5	85	148	220
1.5"	99	100	34.8	50.5	85	148	230
2"	112	110	47.5	64	85	148	234.5
2.5"	141	125	60.2	77.5	85	148	253
3"	163	135	72.9	91	108	182	300
4"	194	170	97.4	119	108	182	318

NOTE: Dimensions in mm