



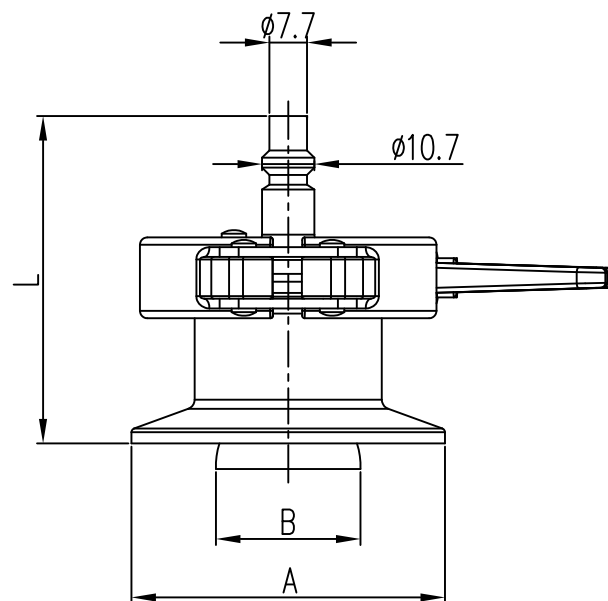
**HALESON**

Sanitaire / Biopharma / Industriel  
www.HALESONINC.COM  
Tel: (450) 686-6663 / Email: info@halesoninc.com

TITLE:

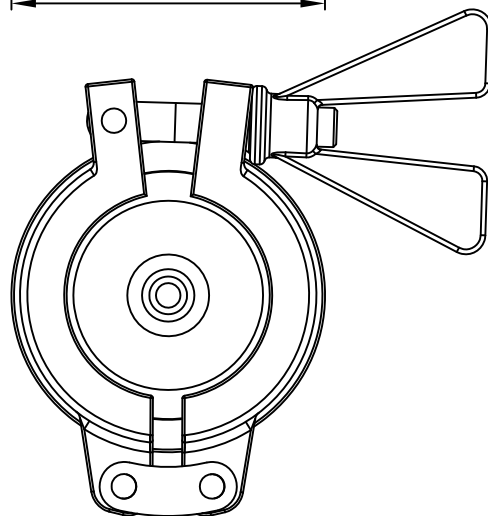
SANITARY AIR BLOW CHECK VALVE

SIZE A	SKETCH NO. <b>AIR BLOW CV</b>	REV <b>0</b>
DATE: <b>18 OCT. 2023</b>	SHEET 1 OF 1	



connection between is always clamp by clamp.

SIZE	A	B	L±1
1" & 1 1/2"	50.50	29.50	66.50
2"	64	29.50	66.50



- Construction: SS304 or SS316L
- Plunger (Rubber) material: Black EPDM