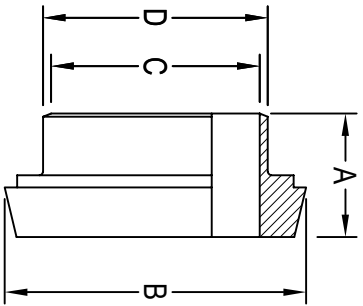


HS-14A DIN WELDING LINER



TUBE OD	A	B	C	D	Wall Thickness	SS-304 Item No.	SS-316L Item No.
1"	0.87	1.73	0.870	1.000	0.065	1.00" HS-14A DIN-4-7	1.00" HS-14A DIN-6-7
1½"	1.02	2.20	1.370	1.500	0.065	1.50" HS-14A DIN-4-7	1.50" HS-14A DIN-6-7
2"	1.10	2.68	1.870	2.000	0.065	2.00" HS-14A DIN-4-7	2.00" HS-14A DIN-6-7
2½"	1.26	3.39	2.370	2.500	0.065	2.50" HS-14A DIN-4-7	2.50" HS-14A DIN-6-7
3"	1.46	3.94	2.870	3.000	0.065	3.00" HS-14A DIN-4-7	3.00" HS-14A DIN-6-7
4"	1.73	4.76	3.834	4.000	0.083	4.00" HS-14A DIN-4-7	4.00" HS-14A DIN-6-7

All dimensions in inches.

MAY 2020



www.halesoninc.com