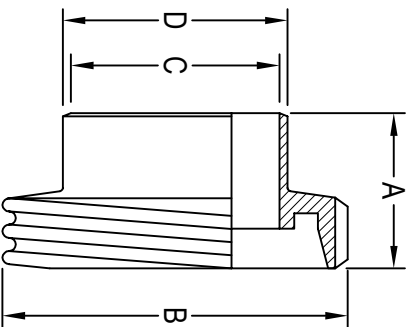


## HS-15A DIN WELDING MALE



TUBE OD	A	B	C	D	Wall Thickness	SS-304 Item No.	SS-316L Item No.
1"	1.14	2.04	0.870	1.000	0.065	1.00" HS-15A DIN-4-7	1.00" HS-15A DIN-6-7
1½"	1.30	2.55	1.370	1.500	0.065	1.50" HS-15A DIN-4-7	1.50" HS-15A DIN-6-7
2"	1.38	3.07	1.870	2.000	0.065	2.00" HS-15A DIN-4-7	2.00" HS-15A DIN-6-7
2½"	1.57	3.74	2.370	2.500	0.065	2.50" HS-15A DIN-4-7	2.50" HS-15A DIN-6-7
3"	1.77	4.33	2.870	3.000	0.065	3.00" HS-15A-4 DIN-7	3.00" HS-15A DIN-6-7
4"	2.13	5.12	3.834	4.000	0.083	4.00" HS-15A DIN-4-7	4.00" HS-15A DIN-6-7

All dimensions in inches.

MAY 2020



[www.halesoninc.com](http://www.halesoninc.com)