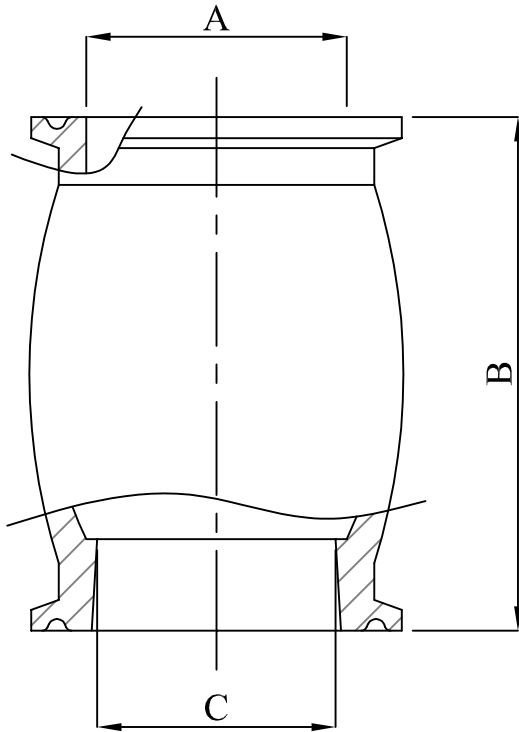
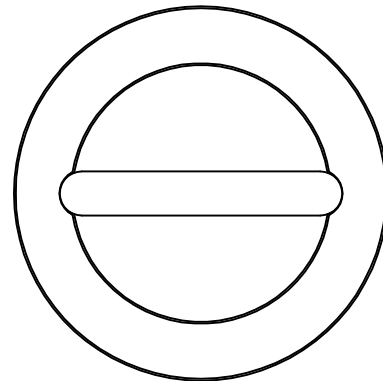


Ball Check Valves



SIDE VIEW



TOP VIEW

HS Ball Check Valves			
CLAMP SIZE	A	B	C
1" & 1½"	35.5	70	32.5
2"	48	81	45.3

- SS304 Construction
- PTFE ball
- Dimensions in mm