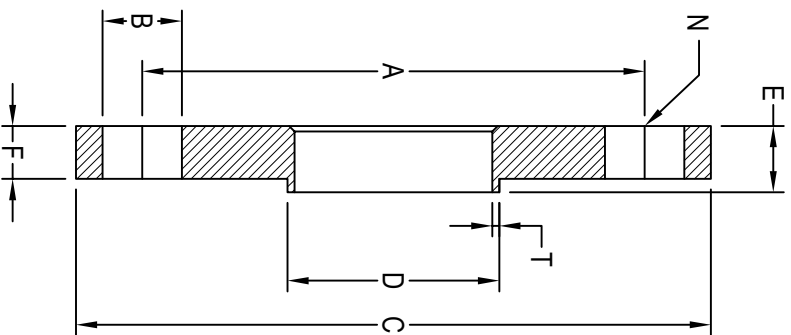


HS-38W WELD NECK FLANGE



TUBE OD	A	B	C	D	E	F	T	N	SS-304 Item No.	SS-316L Item No.
1"	3.125	.625	4.250	1.000	.500	.375	.065	4	1.00" HS-38W-4-7	1.00" HS-38W-6-7
1½"	3.875	.625	5.000	1.500	.500	.375	.065	4	1.50" HS-38W-4-7	1.50" HS-38W-6-7
2"	4.750	.750	6.000	2.000	.625	.500	.065	4	2.00" HS-38W-4-7	2.00" HS-38W-6-7
2½"	5.500	.750	7.000	2.500	.625	.500	.065	4	2.50" HS-38W-4-7	2.50" HS-38W-6-7
3"	6.000	.750	7.500	3.000	.625	.500	.065	4	3.00" HS-38W-4-7	3.00" HS-38W-6-7
4"	7.500	.750	9.000	4.000	.625	.500	.083	8	4.00" HS-38W-4-7	4.00" HS-38W-6-7
5"	8.500	.875	10.000	5.000	.750	.625	.083	8	5.00" HS-38W-4-7	5.00" HS-38W-6-7
6"	9.500	.875	11.000	6.000	.750	.625	.109	8	6.00" HS-38W-4-7	6.00" HS-38W-6-7
8"	11.750	.875	13.500	8.000	.750	.625	.109	8	8.00" HS-38W-4-7	8.00" HS-38W-6-7

All dimensions in inches.

JAN 2021



www.halesoninc.com