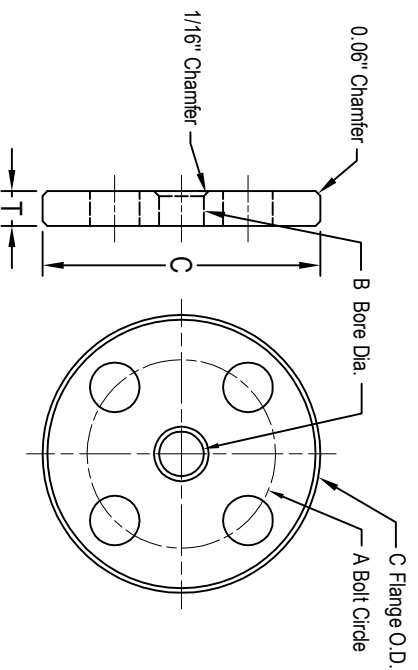


HS-38SL FLANGE



TUBE OD	A Bolt Circle	B Bore Diameter	C Flange O. D.	# Holes/ Diameter	T Thickness	SS-304 Item No.	SS-316L Item No.
1/2"	2.375	.563	3.500	4 / .625	.313	0.50" HS-38SL-4-7	0.50" HS-38SL-6-7
3/4"	2.750	.813	3.875	4 / .625	.313	0.75" HS-38SL-4-7	0.75" HS-38SL-6-7
1"	3.120	1.063	4.325	4 / .625	.375	1.00" HS-38SL-4-7	1.00" HS-38SL-6-7
1 1/4 "	3.500	1.313	4.625	4 / .625	.375	1.25" HS-38SL-4-7	1.25" HS-38SL-6-7
1 1/2 "	3.880	1.563	5.000	4 / .625	.375	1.50" HS-38SL-4-7	1.50" HS-38SL-6-7
2"	4.750	2.063	6.000	4 / .750	.438	2.00" HS-38SL-4-7	2.00" HS-38SL-6-7
2 1/2 "	5.500	2.563	7.000	4 / .750	.438	2.50" HS-38SL-4-7	2.50" HS-38SL-6-7
3"	6.000	3.063	7.500	4 / .750	.500	3.00" HS-38SL-4-7	3.00" HS-38SL-6-7
4"	7.500	4.063	9.000	8 / .750	.500	4.00" HS-38SL-4-7	4.00" HS-38SL-6-7
5"	8.500	5.063	10.000	8 / .880	.563	5.00" HS-38SL-4-7	5.00" HS-38SL-6-7
6"	9.500	6.063	11.000	8 / .880	.563	6.00" HS-38SL-4-7	6.00" HS-38SL-6-7
8"	11.750	8.063	13.500	8 / .880	.625	8.00" HS-38SL-4-7	8.00" HS-38SL-6-7

All dimensions in inches.

JAN. 2021

www.halesoninc.com