



CIP'able Air Blow Check Valve

Increase CIP efficiency with an air blow check valve that you don't have to take apart to clean

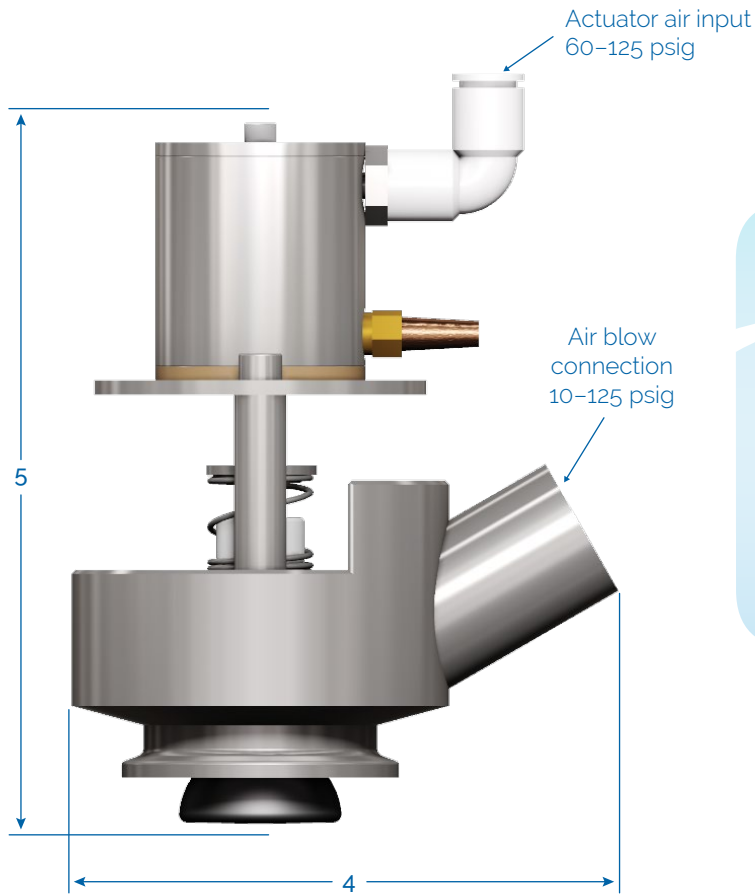
Features

- Can be cleaned in place with the process lines
- Compact and easy to install
- Fits in place of an existing standard air blow check valve
- Minimal replacement parts
- Tri-Clamp® connection
- 316L stainless steel
- Stem seat and O-ring available in Viton or EPDM
- Hose kit and 3A filter disk kit also available

Technical Data

- Maximum product/CIP pressure: 150 psig
- Temperature range: 20°F to 200°F
- Maximum air pressure to actuator and valve: 125 psig
- Actuator air inlet size: 1/4" push fit
- Air coupling inlet size: 1/2" FNPT
- US Patent #8,602,045

CIP'able Air Blow Check Valve



Item Number Configuration

TCV - 1.5 - E - 316L

Size

1.5"
2.0"

Elastomer

E = EPDM
Y = Viton

