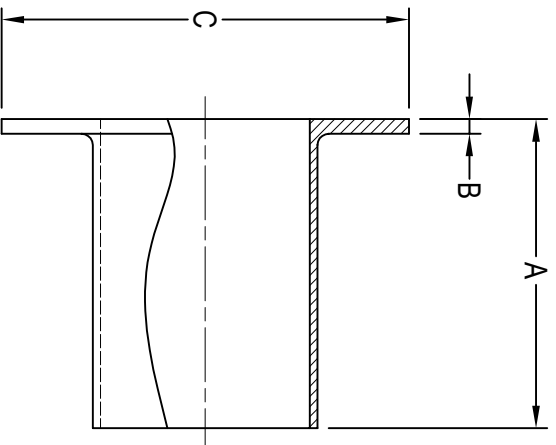


## BPE HS-14WA STUB END



TUBE OD	A	B	C	Wall Thickness	BPE SS316L Item No.
1/2"	2.000	0.098	1.690	0.065	0.50" HS-14WA-B-7
3/4"	2.000	0.098	1.690	0.065	0.75" HS-14WA-B-7
1"	2.000	0.130	2.000	0.065	1.00" HS-14WA-B-7
1 1/2"	2.000	0.130	2.875	0.065	1.50" HS-14WA-B-7
2"	2.500	0.130	3.625	0.065	2.00" HS-14WA-B-7
2 1/2"	2.500	0.130	4.125	0.065	2.50" HS-14WA-B-7
3"	2.500	0.165	5.000	0.065	3.00" HS-14WA-B-7
4"	2.500	0.165	6.190	0.083	4.00" HS-14WA-B-7

All dimensions in inches.

JANUARY 2025



[www.halesoninc.com](http://www.halesoninc.com)