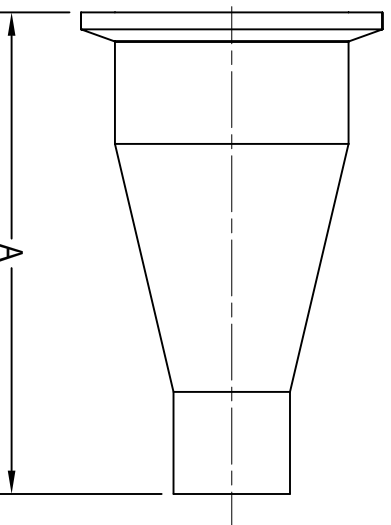


BPE HS-31M WELD CONCENTRIC REDUCER (SHORT)



DT-4.1.3-2

CLAMP SIZES	A	Wall Thickness	BPE SS316L Item No.
3/4" X 1/2"	2.625	0.065	0.75" X 0.50" HS-31M-B-7
1" X 1/2"	3.000	0.065	1.00" X 0.75" HS-31M-B-7
1" X 3/4"	2.625	0.065	1.50" X 0.50" HS-31M-B-7
1 1/2" X 3/4"	3.500	0.065	1.50" X 0.75" HS-31M-B-7
1 1/2" X 1"	3.000	0.065	1.50" X 1.00" HS-31M-B-7
2" X 1"	3.875	0.065	2.00" X 1.00" HS-31M-B-7
2" X 1 1/2"	3.000	0.065	2.00" X 1.50" HS-31M-B-7
2 1/2" X 1 1/2"	3.875	0.065	2.50" X 1.50" HS-31M-B-7
2 1/2" X 2"	3.000	0.065	2.50" X 2.00" HS-31M-B-7
3" X 1 1/2"	4.750	0.065	3.00" X 1.50" HS-31M-B-7
3" X 2"	3.875	0.065	3.00" X 2.00" HS-31M-B-7
3" X 2 1/2"	3.125	0.065	3.00" X 2.50" HS-31M-B-7
4" X 2"	5.750	0.083 / 0.065	4.00" X 2.00" HS-31M-B-7
4" X 2 1/2"	4.875	0.083 / 0.065	4.00" X 2.50" HS-31M-B-7
4" X 3"	4.500	0.083 / 0.065	4.00" X 3.00" HS-31M-B-7

All dimensions in inches.