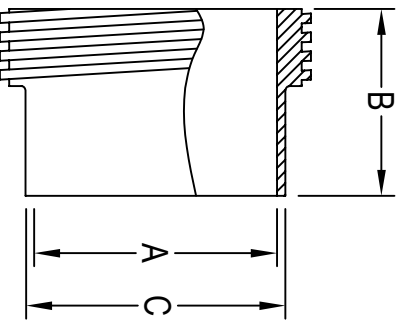


# HS-15AJP JOHN PERRY THREADED WELD FERRULE (LONG)



TUBE OD	A	B	C	Wall Thickness	SS-304 Item No.	SS-316L Item No.
1"	0.870	1.375	1.000	0.065	1.00" HS-15AJP-4-7	1.00" HS-15AJP-6-7
1½"	1.370	1.500	1.500	0.065	1.50" HS-15AJP-4-7	1.50" HS-15AJP-6-7
2"	1.870	1.500	2.000	0.065	2.00" HS-15AJP-4-7	2.00" HS-15AJP-6-7
2½"	2.370	1.750	2.500	0.065	2.50" HS-15AJP-4-7	2.50" HS-15AJP-6-7
3"	2.870	1.750	3.000	0.065	3.00" HS-15AJP-4-7	3.00" HS-15AJP-6-7
4"	3.834	1.750	4.000	0.083	4.00" HS-15AJP-4-7	4.00" HS-15AJP-6-7

All dimensions in inches.

MARCH 2021



[www.halesoninc.com](http://www.halesoninc.com)