

DCX3 AUTOMATIC SHUT-OFF VALVE & DCX4 AUTOMATIC DIVERT VALVE Variants Options

DCX3



DCX4



www.definox.com

TABLE OF CONTENTS

1 CHANGE MANAGEMENT	4
2 SAFETY	5
2.1 IMPORTANT INFORMATION	5
2.2 GENERAL INFORMATION	5
3 INTRODUCTION	6
3.1 DISASSEMBLING THE VALVE (Extracting the actuator and Plug assembly from the body of the valve)	6
3.2 DISASSEMBLING THE ACTUATOR (Changing the internal seals)	6
3.2.1 <i>Safety devices</i>	7
4 DISASSEMBLING THE VALVE	8
4.1 DISASSEMBLING THE SIGNALLING BOX	8
4.2 DISASSEMBLING THE DCX3 VALVE CLAMP COLLAR	9
4.3 DISASSEMBLING THE DCX4 VALVE CLAMP COLLAR	9
4.4 DISASSEMBLING THE DCX3/4 PLUG	10
4.5 ACTUATOR MAINTENANCE	11
4.5.1 <i>Dismantling the actuator</i>	11
5 CHANGING SEALS AND REASSEMBLY	12
5.1 INTRODUCTION	12
5.2 ASSEMBLING THE ACTUATOR	12
5.3 CHANGING ACTUATOR CONFIGURATION	13
5.4 REPLACING PFA SEALS	14
5.5 REASSEMBLING OF VALVES	15
5.6 REASSEMBLING OF DCX3/4 DIAPHRAGM VALVE	16
6 PARTS	17
6.1 STANDARD DCX VALVE ACTUATOR (DCX3/4 PFA & elastomer seal, DCX3 metal & diaphragm seal)	17
6.2 DCX3 LONG-STROKE VALVE ACTUATOR	17
6.3 DCX3/4 ASEPTIC BEARING VALVE ACTUATOR	19
6.4 DCX3 ASEPTIC BEARING VALVE ACTUATOR (3A certified)	20
6.5 DCX3/4 ASEPTIC BEARING VALVE ACTUATOR w/ COOLING BEARING	21
6.6 DCX3 ASEPTIC BEARING VALVE ACTUATOR w/ COOLING BEARING (3A certified)	22
6.7 DCX STD DA VALVE ACTUATOR (DCX3/4 PFA & elastomer seal, DCX3 metal & diaphragm seal)	23
6.8 DCX3 RELIEF 3 FUNCTIONS VALVE ACTUATOR	24
6.9 BALANCED DCX4 ACTUATOR	25
6.10 DCX3/4 STANDARD PFA VALVE	26

6.11 DCX3/4 ELASTOMER SEAL VALVE	27
6.12 DCX3/4 DIAPHRAGM VALVE	28
6.13 DCX3/4 DIAPHRAGM VALVE AND ALCOHOL BARRIER	29
6.14 DCX3/4 ASEPTIC BEARING VALVE	30
6.15 DCX3 METAL-TO-METAL SEALING VALVE	31
6.16 DCX3 LONG-STROKE VALVE	31
6.17 DCX4 LONG-STROKE VALVE	31
6.18 DCX3 ASEPTIC BEARING VALVE (3A Certified)	33
6.19 DCX3 ASEPTIC BEARING VALVE + COOLING BEARING	34
6.20 DCX3 ASEPTIC BEARING VALVE + COOLING BEARING (3A Certified)	35
6.21 BALANCED DCX4 VALVE	36
6.22 DCX3/4 VALVE MONOBLOC PLUG	37
6.22.1 DCX3/4 valve elastomer monobloc plug	37
6.22.2 DCX3/4 diaphragm valve elastomer monobloc plug	38
6.22.3 DCX3/4 long-stroke valve elastomer monobloc plug	39
6.23 LIST OF PARTS FOR DN 25 to 51 DCX3/4 AUTOMATIC VALVES	40
6.24 LIST OF PARTS FOR DN 63 TO 150 DCX3/4 AUTOMATIC VALVES	41
6.25 LIST OF ACTUATORS FOR DCX AUTOMATIC SHUT-OFF AND DIVERT VALVES	42
6.26 LIST OF REFERENCES OF SEAL KITS FOR DCX3/4 AUTOMATIC VALVES	43
6.26.1 DETAILS OF SEAL SETS FOR DCX3/4 VALVES	44
6.27 Reference of greases	65
6.28 Reference for DCX3/4 valve tools	66

1 CHANGE MANAGEMENT

CHANGES	INDEX	DATE	PAGE(S)	INITIALS
New version	1	March 2012	/	G. BEGAUD
Add table for tightening torque of plugs and collars clamp	10	March 2017	15	G. BEGAUD
Add references "Actuator for DCX3/4 aseptic seat valve (certified 3A)"	11	February 2018	31/32	F. BRUN
Add of tightening torque of plugs and collars DN 125/150	12	June 2018	15	G. BEGAUD
7082850 was 7815030	13	November 2018	6	F. BRUN
7380899 was 7380899	14	February 2018	30/31/34	G. BEGAUD
Modification of seals and seals kit	15	October 2019	18/19/30/31/34/39/44	G. BEGAUD
Modification of the grades of the seal kit «E1», «E2» and «J1»	16	November 2019	33/39/44	G. BEGAUD
Modification of the grades of the seal kit «36E» and «36F», «A2», «A3», «E1», «E2» and «J1»	17	January 2020	18-19/30-31/34/39/44	G. BEGAUD
7010801 was 7006130 (Rep 20 and 59)	18	March 2020	30/31/36/37/38/40/41 /42/43/45	G. BEGAUD
7010808 was 7380607 (Rep 20 and 24)	19	April 2020	30/36/37/40/41/42/43/45	G. BEGAUD
Add of greases recommended for the actuator and the valve			4/5/11/46	
7304065 was 7005528 (Rep 46)	20	May 2020	31	G. BEGAUD
Add balanced DCX4	21	June 2020	22/31/33/34/35/36/48	G. BEGAUD
Add Sorio housing and modification of the table	22	December 2020	7/11	G. BEGAUD
Add of DCX4 NO actuator body blocking kits	23	December 2020	12	G. BEGAUD
Aseptic O-ring FKM FP75 become FKM 75P	24	October 2021	33/34/36	M.GONET
Update rep. 150, 152, 154 and visuals	25	December 2021	25/26	G. BEGAUD
Additions and modifications of the FKM and FKM FP75 seal kits	26	March 2022	23 to 53	G. BEGAUD
Addition of HNBR seal material				
Additions of monobloc plugs	27	April 2022	/	G. BEGAUD
Additions of seal kits DN125 and 150 in kit M and N	28	November 2022	39/57/58/59/60	G. BEGAUD
Addition Note for the assembly or transformation of the DN125/150 actuator to NO	29	September 2023	12	G. BEGAUD
Modification of references Guide :42F, FKM P113 was FKM 75P	30	September 2023	35/37/39/40	G. BEGAUD
Add aseptic + cooling version	31	October 2023	20/21/33/34/39/40/41	C. GUILLET
7191035 was 7006412 (Guide : 31)	32	November 2023	39/40/46/48/51/53/55/59	G. BEGAUD
Modification of the reference Rep.20 DN125/150	33	January 2024	40	G. BEGAUD
Addition of a maintenance, assembly and disassembly case	34	February 2025	7/11/12/66	G. BEGAUD

2 SAFETY

2.1 IMPORTANT INFORMATION

Always read the maintenance notice before manipulating the valve



DANGER !

Failure to observe these instructions can result in serious bodily injury or loss of life.



CAUTION !

This can also result in less serious injuries or damage to the equipment.



DANGER !

Electricity can result in serious bodily injury or loss of life.



CAUTION !

This can also result in less serious injuries or damage to the equipment.



DANGER !

Risk of burns.

2.2 GENERAL INFORMATION



NOTE

The following advice is given to ensure optimum use of the equipment.

- Opérations devant être effectuées dans l'ordre spécifié.
- A range of greases for cylinder seals and valve seals has been defined for be in phase with their nature and the regulations according to the uses (See § 6.27).

**MAINTENANCE NOTICE Automatic DCX3 shut-off valve
&
Automatic DCX4 divert valve
Variants options**

3 INTRODUCTION

The disassembly process for DCX3 shut-off valve or DCX4 divert valve is divided into two distinct steps:

3.1 *DISASSEMBLING THE VALVE (Extracting the actuator and Plug assembly from the body of the valve)*

This operation enables access to the plug seals (Changing the seals, see § 6.27 for lubrication) and the removal of the actuator.

This is a straightforward procedure and can be performed on-site as it does not present any particular problems.

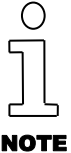
This is the case in the majority of maintenance operations on this type of valve.

3.2 *DISASSEMBLING THE ACTUATOR (Changing the internal seals)*



CAUTION: This operation must be performed using a special tool ensuring that the necessary precautions are taken. **(STRESSED SPRING)**

For changing from a NC valve to a NO or double-acting valve and vice versa, see "Changing configuration".



NOTE: After carrying out any maintenance work on DEFINOX products it is essential that you check the correct function of the equipment concerned: tightness, pressure, etc...

3.2.1 Safety devices

For the maintenance of NC and NO actuators, we offer on request maintenance sets preventing unintended operation of the plug when the actuator is supplied with air.



DANGER !

RISKS

When changing seals: Risk of trapping fingers between the actuator axis and the top of the seal plate

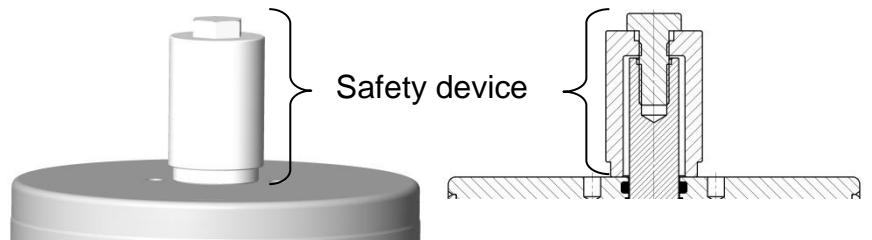


DCX3/4 NC (rod out)

SOLUTIONS

Maintenance tools for the NC actuator

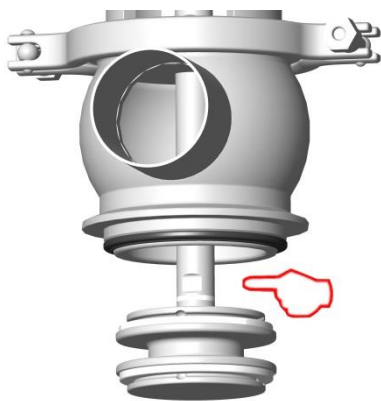
DN	Reference
DN25 - 40	7814986
DN51 and DN63 – 76	7814972
DN80 – 104	7814987
DN125 - 150	7814988



DANGER !

RISKS

When fitting and removing the valve: Risk of trapping fingers between the valve and the valve body

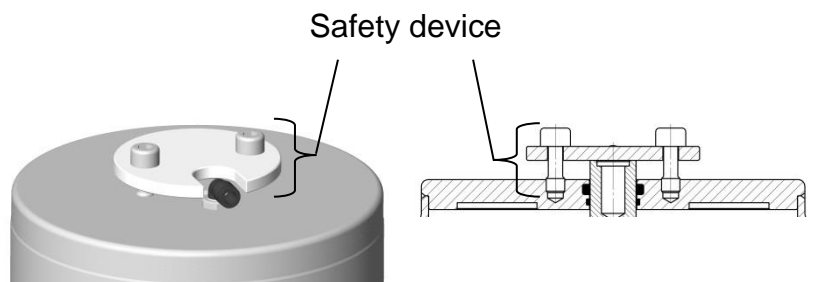


DCX4 NO (rod in)

SOLUTIONS

Maintenance tool for NO actuator

DN	Reference
DN25 – 150	7814976



NOTE

A case containing the following tools is available (see § 6.28):

- 7814986 ⇨ Maintenance tool for actuator NC DN25-40
- 7814972 ⇨ Maintenance tool for actuator NC DN51-76
- 7814987 ⇨ Maintenance tool for actuator NC DN80-104
- 7814976 ⇨ Maintenance tool for actuator NO DN25-150

4 DISASSEMBLING THE VALVE

Before starting the disassembly procedure, if the valve is fitted with a signalling box it may be necessary to detach the signalling unit from the actuator.

4.1 DISASSEMBLING THE SIGNALLING BOX



CAUTION !

Dismantling without disconnection

IMPORTANT: Before starting any work on the box, it is important to ensure that the air supply is closed and that the circuit is purged.



CAUTION !

Dismantling with disconnection

IMPORTANT: Before starting any work on the box, it is important to ensure that the mains supply is switched off, that the air supply is closed and that the circuit is purged.

To fit and remove the control top, refer to maintenance notice:



ICS LED
Maintenance notice
NM-258



ACS LED
Maintenance notice
NM-259



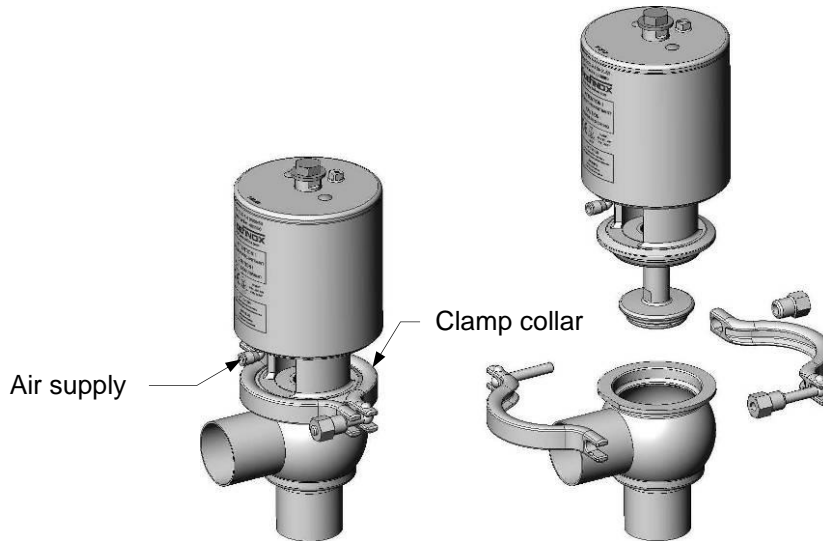
Sorio® box
Maintenance notice
NM-275

For the previous generations control top, refer to maintenance notice:

- **NM-182 for the ICS control top**
- **NM-187 for the ACS control top**

4.2 DISASSEMBLING THE DCX3 VALVE CLAMP COLLAR

- Supply air to the NC actuator to relieve the pressure on the clamp collar from the spring,
- Disassemble the clamp collar,
- Switch off the actuator air supply,
- Remove the actuator and plug assembly from the DCX3 body.



4.3 DISASSEMBLING THE DCX4 VALVE CLAMP COLLAR



NOTE

NOTE: If the upper body is installed between couplings, it may be easier to dismantle it and remove it together with the plug assembly of the DCX4 valve. In any cases, the bodies must be moved apart in order to dismantle the valve.

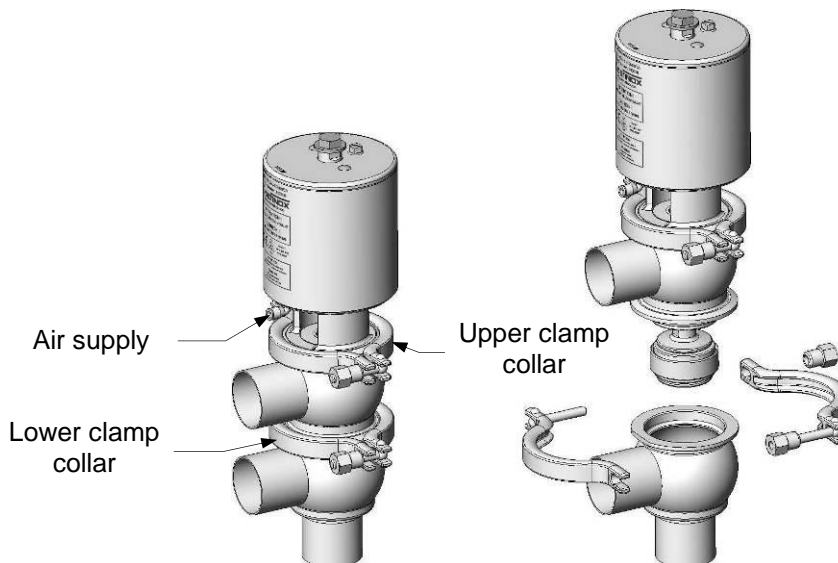
- Supply air to the NC actuator to relieve the pressure on the clamp collar from the spring.
- Disassemble the lower clamp collar.



CAUTION !

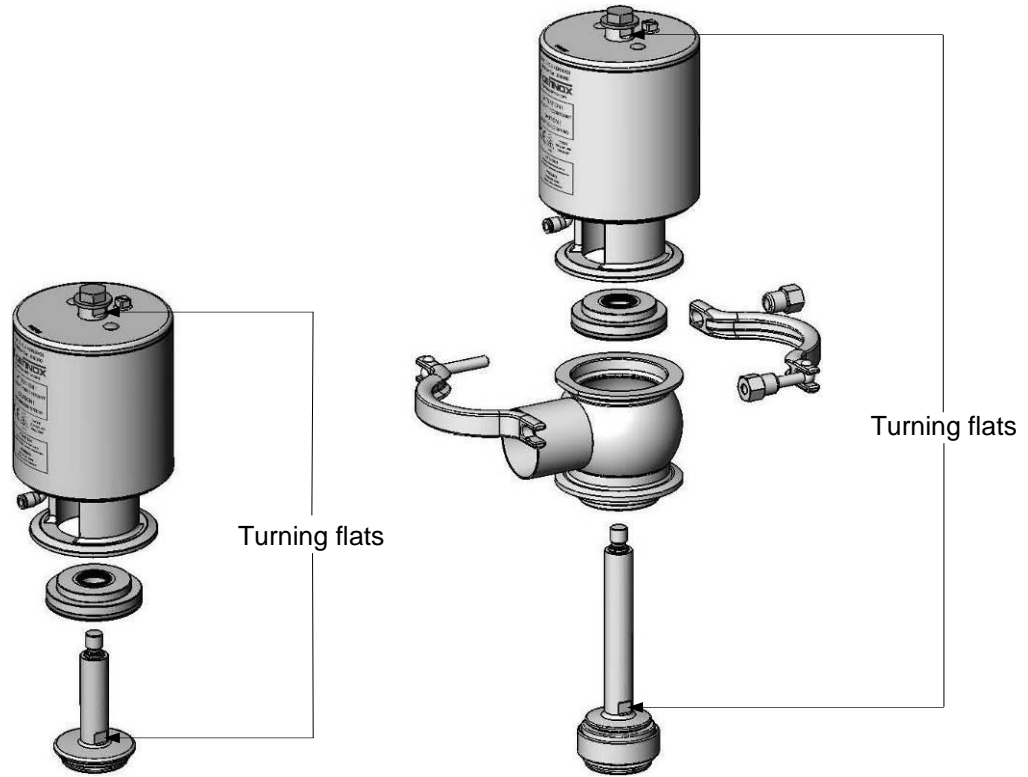
CAUTION: For DCX4 diaphragm valves, the upper clamp collar should also be removed to avoid the risk damaging the diaphragm.

- Switch off the actuator air supply.
- Remove the assembly (Actuator, plug and upper body) from the DCX3 body.



4.4 DISASSEMBLING THE DCX3/4 PLUG

- Unscrew the plug by means of the turning flats on the valve and on the actuator stem then remove the seal support plate.
- For the DCX4 valve, remove the upper clamp collar to separate the body from the actuator assembly then remove the seal support plate.



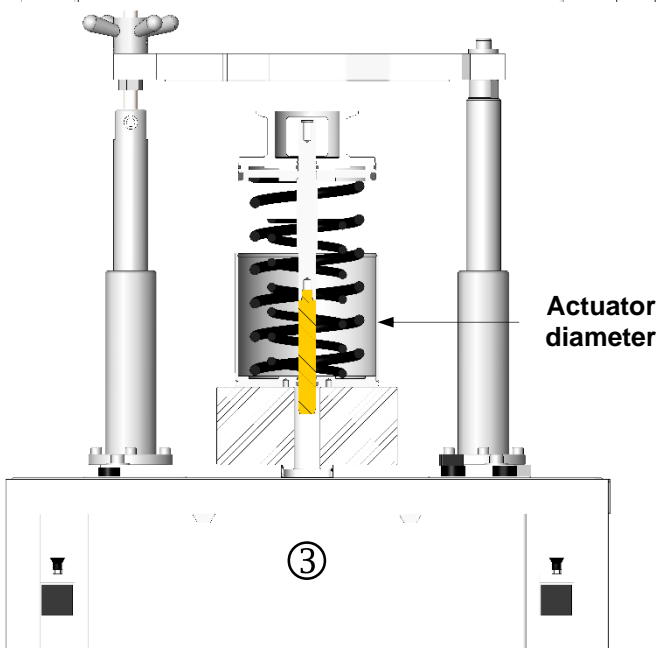
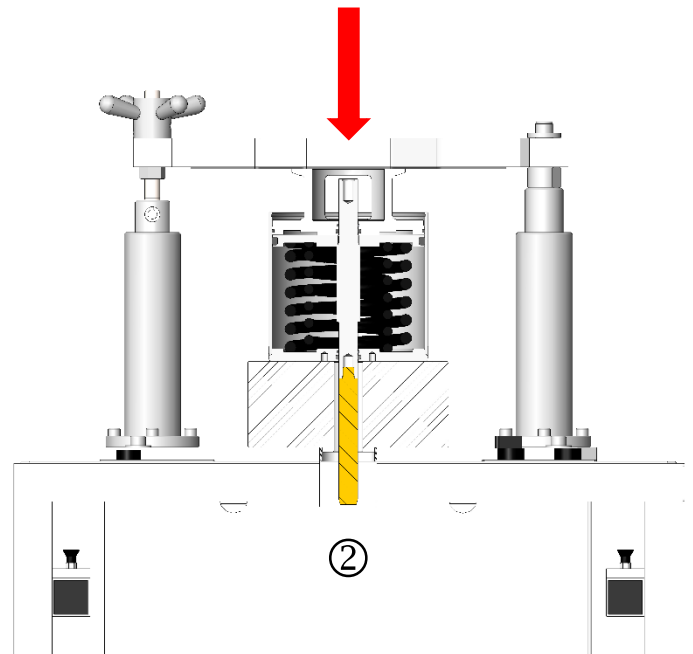
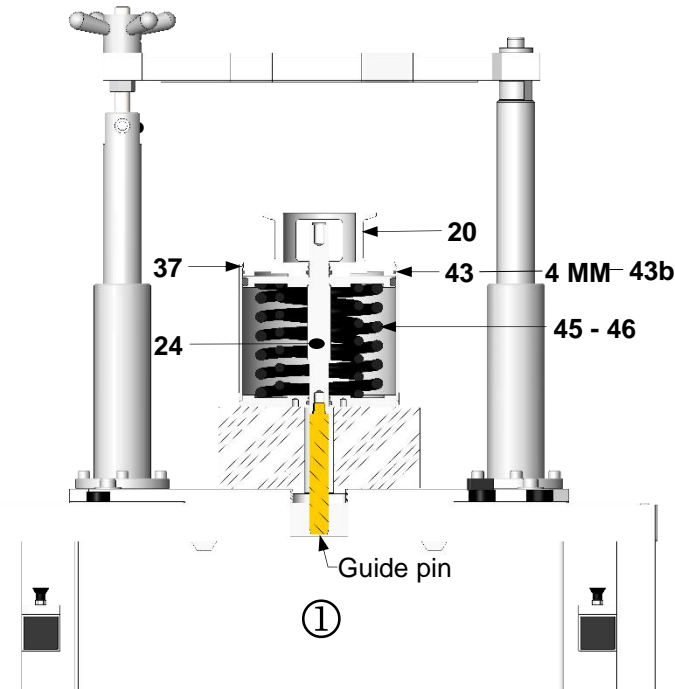
4.5 ACTUATOR MAINTENANCE

4.5.1 Dismantling the actuator



CAUTION: This operation is dangerous if the tools are not suitable. We recommend the use of a hydraulic press (see diagram below) or a tool (when making the tool, take into account a spring release travel of 100 mm).

- Remove the air connection, the pierced cap, the plastic caps as well as the screw and the washer of the stem.
- Fit the guide shaft.
- Position the actuator vertically,
- Push down the lantern [20] to remove the snap-ring.
- Remove the snap-ring [37] from its recess using a small screwdriver.
- Release the pressure to allow the lantern to rise back.
- Take out the lantern together with its seal (43) or (43b) for DN125-150 marking of the lantern 4MM.
- Remove the stem/piston [24] and the spring(s) [45-46] from the actuator body.



Guide shaft no.		
DN	Actuator diameter	References
25 - 40	Ø 89	73 00453
51	Ø 114	73 00454
63 - 80	Ø 167	73 00455
100 - 104	Ø 217	73 00456
125-150	Ø 270	

5 CHANGING SEALS AND REASSEMBLY

5.1 INTRODUCTION

Our valve components are listed and referenced in this document, together with the information necessary for ordering your spare parts.

5.2 ASSEMBLING THE ACTUATOR

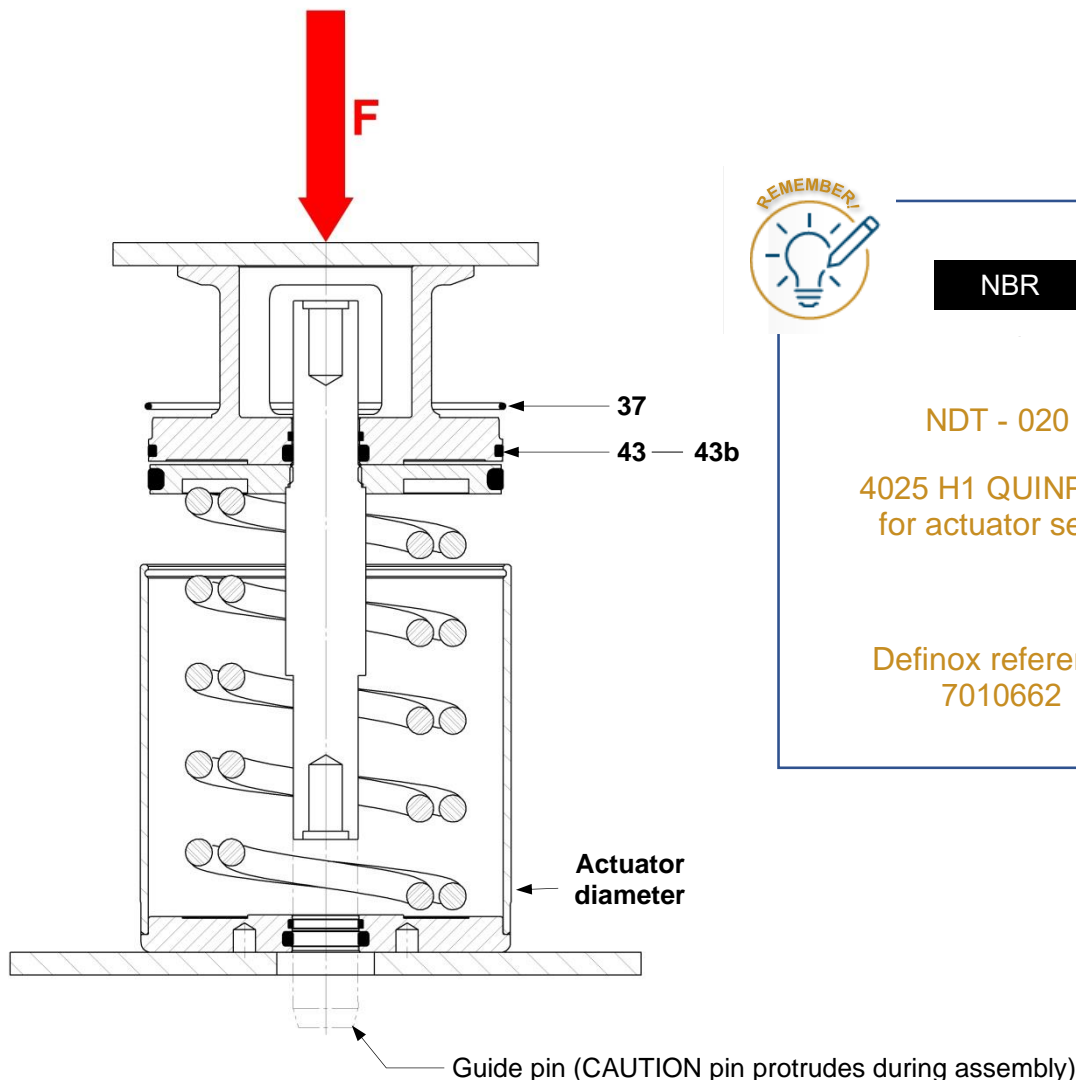


CAUTION I

CAUTION: For changing the actuator configuration from **NC** (Normally Closed) to **NO** (Normally Open) or **DA.** (Double Acting), see the following chapter.

This procedure is performed in the reverse order to dismantling. However, it is necessary to take into account the following information:

- A guide pin centered on the actuator stem ensured that the piston is properly centered in the body. It also avoids also avoids the piston jumping if the spring(s) slip(s) sideways during compression,
- Before reassembling the parts, ensure that the assembly is lubricated with an appropriate lubricant (water-resistant and temperature-resistant food grade grease → E.g., for information: 4025 H1 QUINPLEX by Lubrication Engineers, see § 6.27). Ensure that the grease used is compatible with the elastomer seals,
- Take care not to damage the lantern seal [43] [43b] when fitting it with the press,
- Ensure that the snap-ring (37) is properly positioned in the recess of the body before releasing pressure,
- Test operation of the actuator before continuing assembly.



NBR

NDT - 020

4025 H1 QUINPLEX
for actuator seals

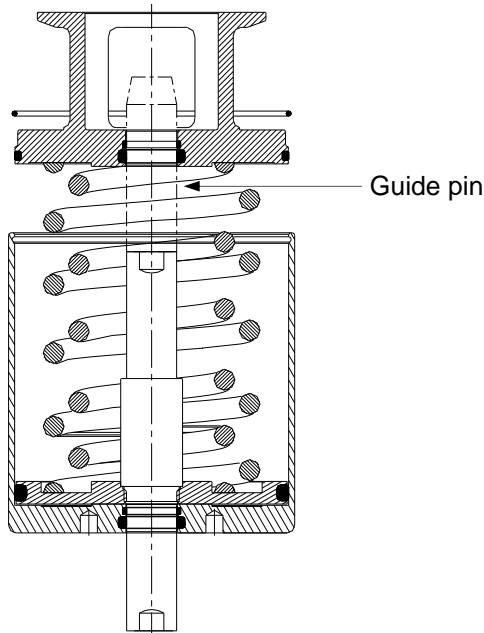
Definox reference
7010662



5.3 CHANGING ACTUATOR CONFIGURATION

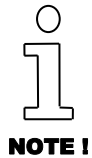
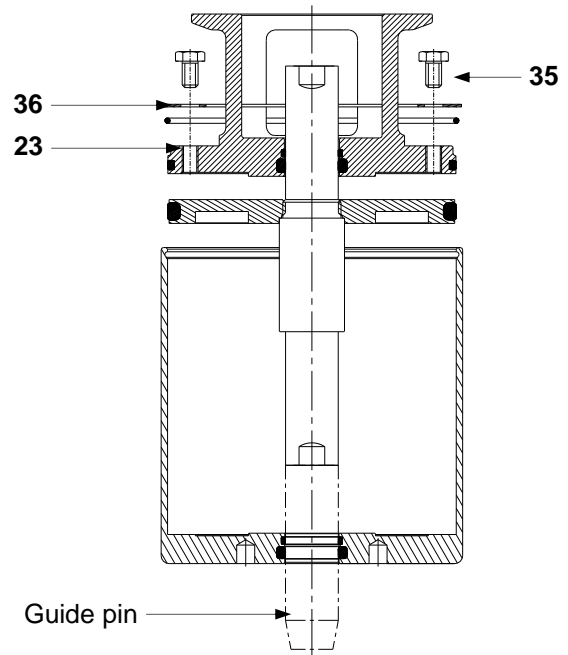
Transforming an **NC** actuator into a **NO**:

After opening the actuator, refit the stem/piston and spring assembly the other way around in the body.



Transforming an **NC** actuator into a **DA**:

After opening the actuator, remove the spring(s), and change the standard lantern with a (pierced) double-acting lantern [23], attach a holding plate [36] with screws [35] that must be installed with liquid seal.



NOTE 1

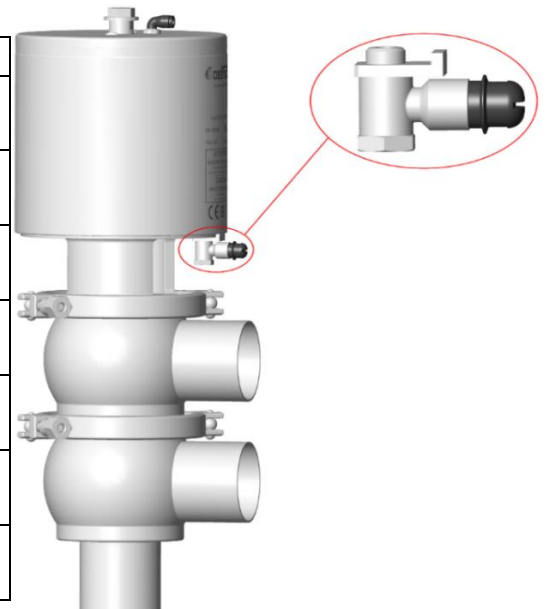
NOTE: When assembling or converting the DN125/150 actuator to NO, only spring [45] 7007825 must be installed.

NOTE: For your own safety, check that the snap-ring is properly positioned in its recess. If the snap-ring is damaged or deformed, it must be replaced.

NOTE: For DCX4 NO, there is a possible movement of the actuator body during the opening / close operation.

The blocking kits below allow you to suppress the movement:

References	Designation
7304567	ACTUATOR BODY BLOCKING KIT DCX4 NO DN25-40 LANTERN BEFORE 2007
7304568	ACTUATOR BODY BLOCKING KIT DCX4 NO DN51 LANTERN BEFORE 2007
7304569	ACTUATOR BODY BLOCKING KIT DCX4 NO DN63-76 LANTERN BEFORE 2007
7304570	ACTUATOR BODY BLOCKING KIT DCX4 NO DN80-150 LANTERN BEFORE 2007
7304027	ACTUATOR BODY BLOCKING KIT DCX4 NO DN25-40
7304028	ACTUATOR BODY BLOCKING KIT DCX4 NO DN51
7304029	ACTUATOR BODY BLOCKING KIT DCX4 NO DN63-104



5.4 REPLACING PFA SEALS

To change PFA seals, follow the guidelines given below:

- Remove the defective seal using a cutter taking care not to mark the bearing surface of the plug (protect the stainless-steel surface using the edge of a steel rule or a plastic off-cut),
- Place the new seals in an oven at 284°F (+/- 3%) for 30 minutes.
 - ⇒ Do not exceed 392 °F.
 - ⇒ If the temperature is too low, there is a risk that the seal will deform or tear during installation.



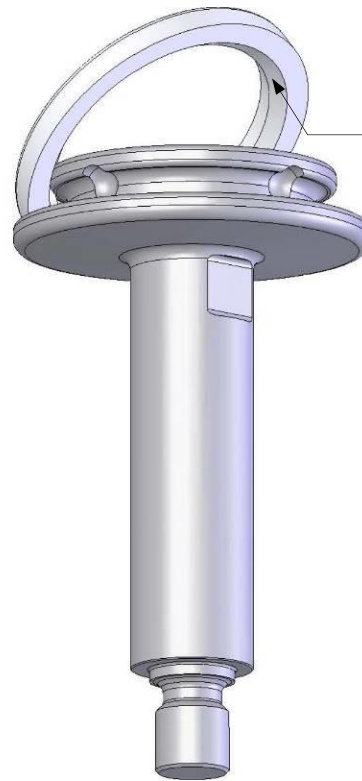
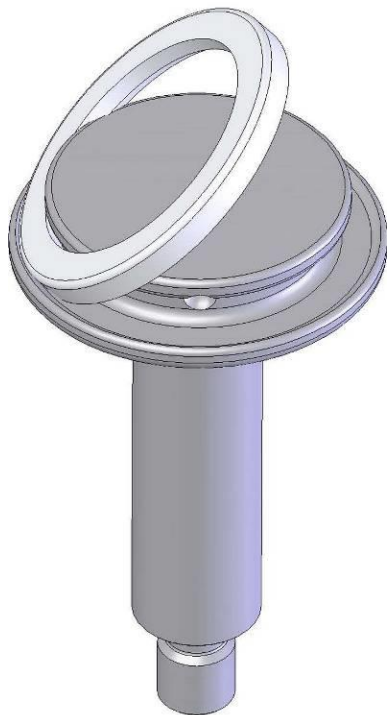
CAUTION: Wear protective equipment, this may present a risk of burn!



NOTE I

- Insert the seal quickly from one side of the groove, then progressively push it into its housing.

NOTE: always insert the seal on the beveled side.

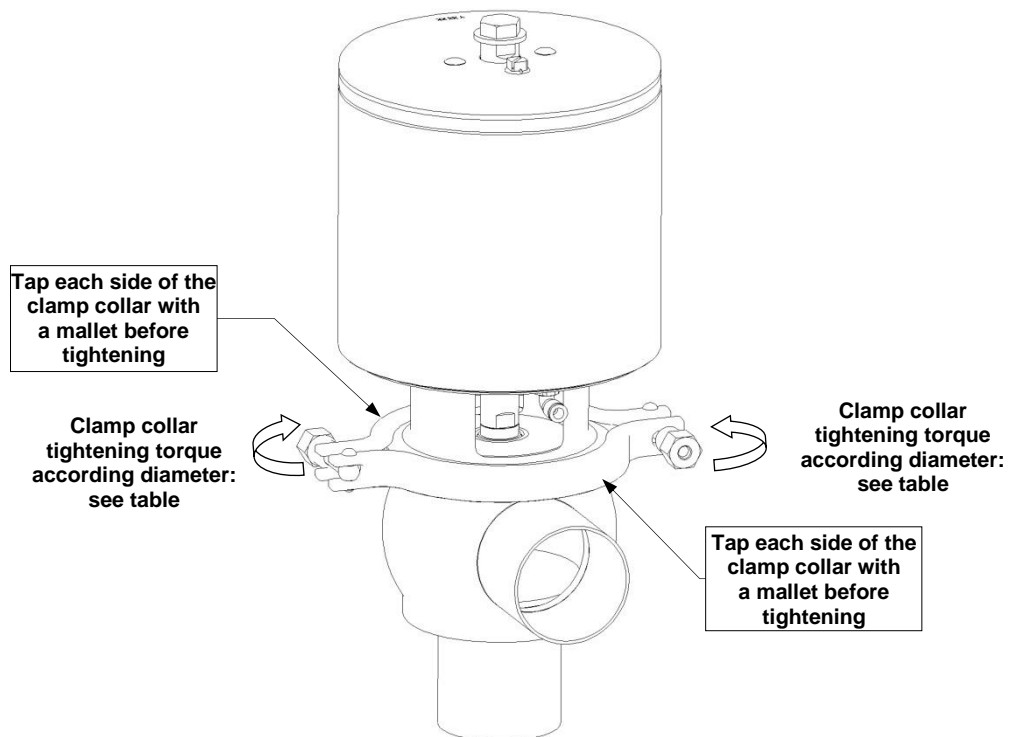


Bevel towards the inside of the plug

5.5 REASSEMBLING OF VALVES

This operation is carried out in the reverse order to disassembly. You should follow the guidelines given below:

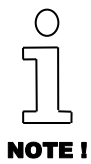
- We recommend using a **medium thread lock compound** to lock the plug during reassembly on the actuator and retightening the plug of valves after first usage with temperature,
- Do not forgot to supply air to the actuator before tightening the clamp collars,
- Before making the final network connections, check that the valve is operating normally. If you encounter difficulties when performing the operations described here, do not hesitate to contact us,
- You can also contact us regarding maintenance for your valves either on-site or at our own premises.



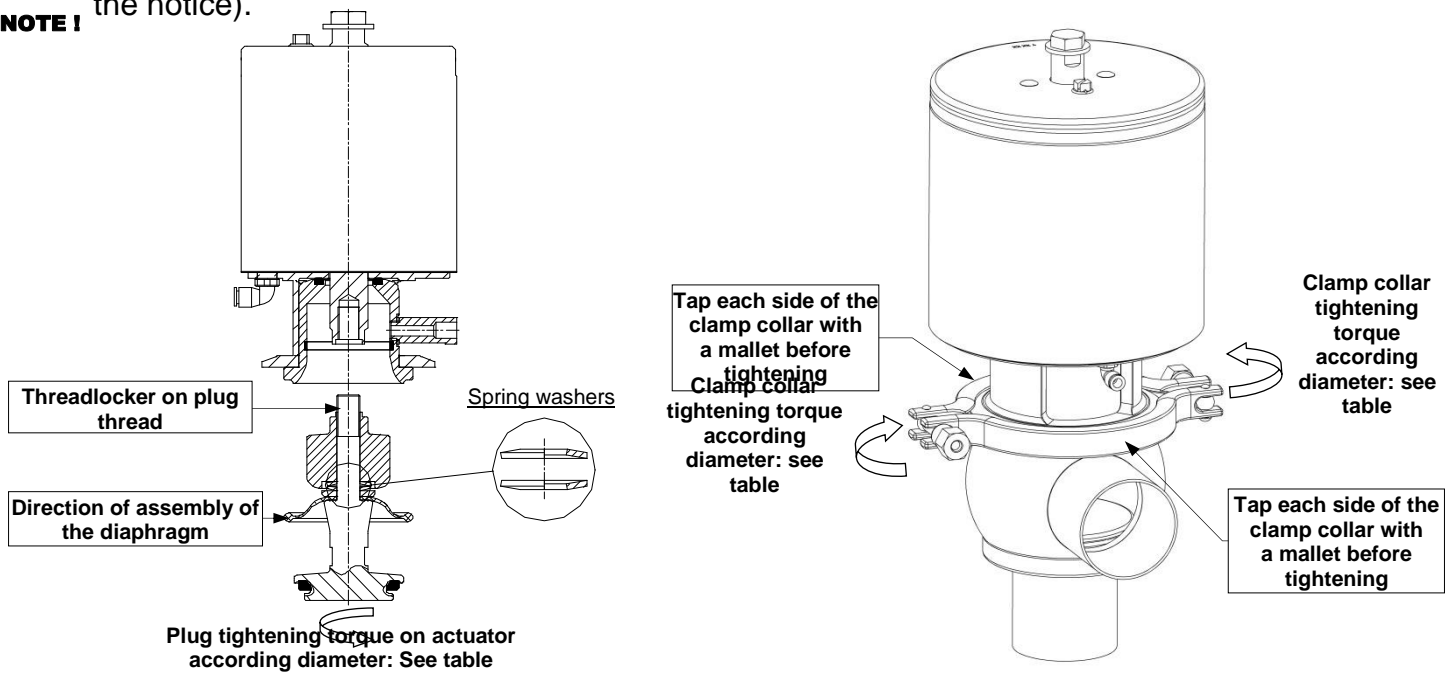
5.6 REASSEMBLING OF DCX3/4 DIAPHRAGM VALVE

In the case of a DCX3 or 4 equipped with a PTFE diaphragm, do not forget put in place the 2 spring washers that ensure the tightening of the diaphragm with a holding torque according to the table below.

- We recommend using a **medium thread lock compound** to lock the plug during reassembly on the actuator and retightening the plug and clamp collar of diaphragm valves after first usage with temperature,
- Do not forgot to supply air to the actuator before tightening the clamp collars,
- Before making the final network connections, check that the valve is operating normally. If you encounter difficulties when performing the operations described here, do not hesitate to contact us,
- You can also contact us regarding maintenance for your valves either on-site or at our own premises.



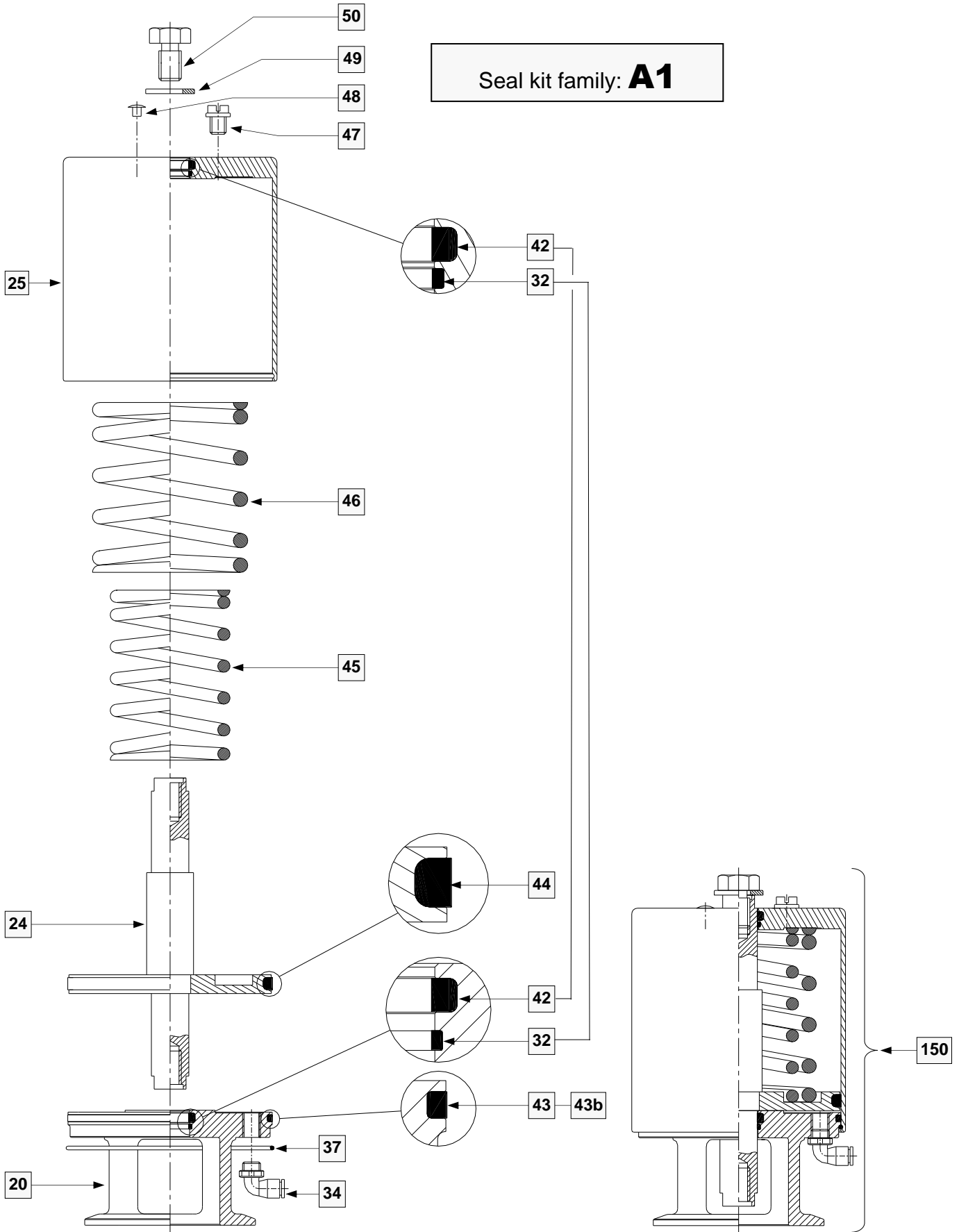
NOTE ! For DCX4 diaphragm valves, do not forget to fit the shim (53 or 58) according to whether the valve is in a NC/double acting or NO configuration. (See the spare parts sections at the end of the notice).



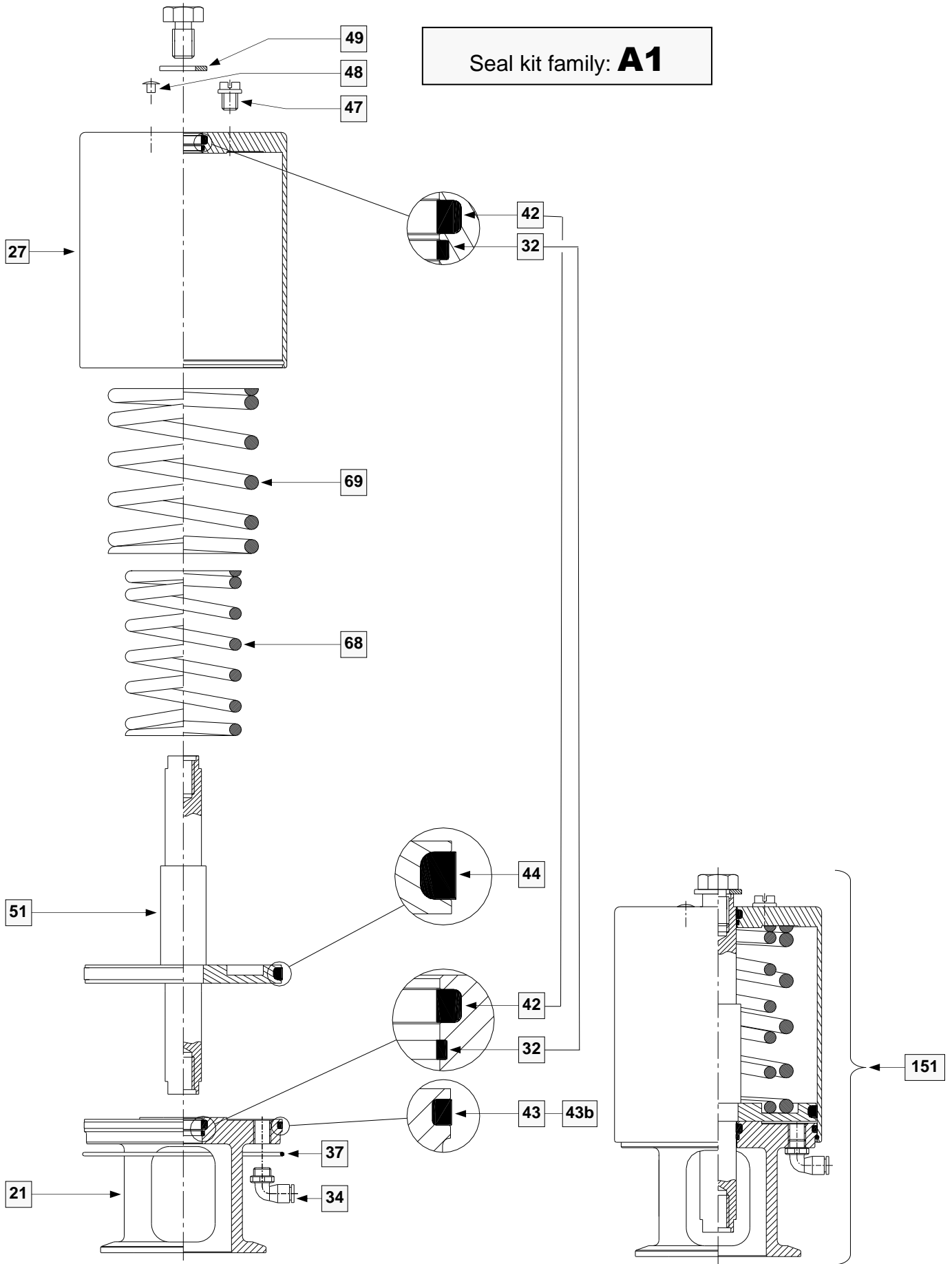
DN	Plug tightening torque	Clamp collar tightening torque
DN 25/38	20 Nm (≈ 177,01 Lb/inch)	5 Nm (≈ 44.25 Lb/inch)
DN 51	25 Nm (≈ 221,27 Lb/inch)	6 Nm (≈ 53.10 Lb/inch)
DN 63/80	25 Nm (≈ 221,27 Lb/inch)	10 Nm (≈ 88.51 Lb/inch)
DN 100	27 Nm (≈ 238.97 Lb/inch)	12 Nm (≈ 106.21 Lb/inch)
DN125/150	60 Nm (≈ 531.04 Lb/inch)	25 Nm (≈ 221,27 Lb/inch)

6 PARTS

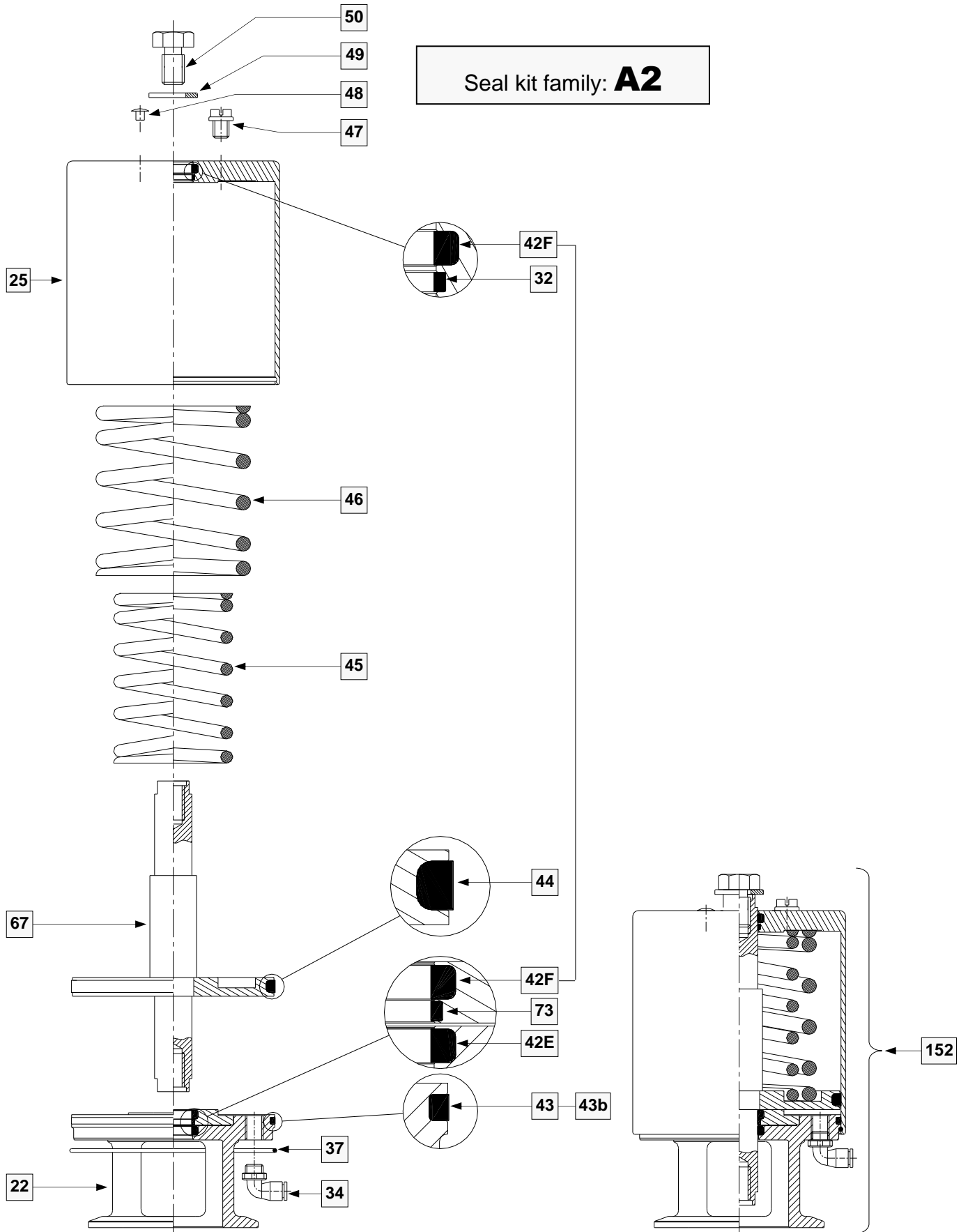
6.1 STANDARD DCX VALVE ACTUATOR (DCX3/4 PFA & elastomer seal, DCX3 metal & diaphragm seal)



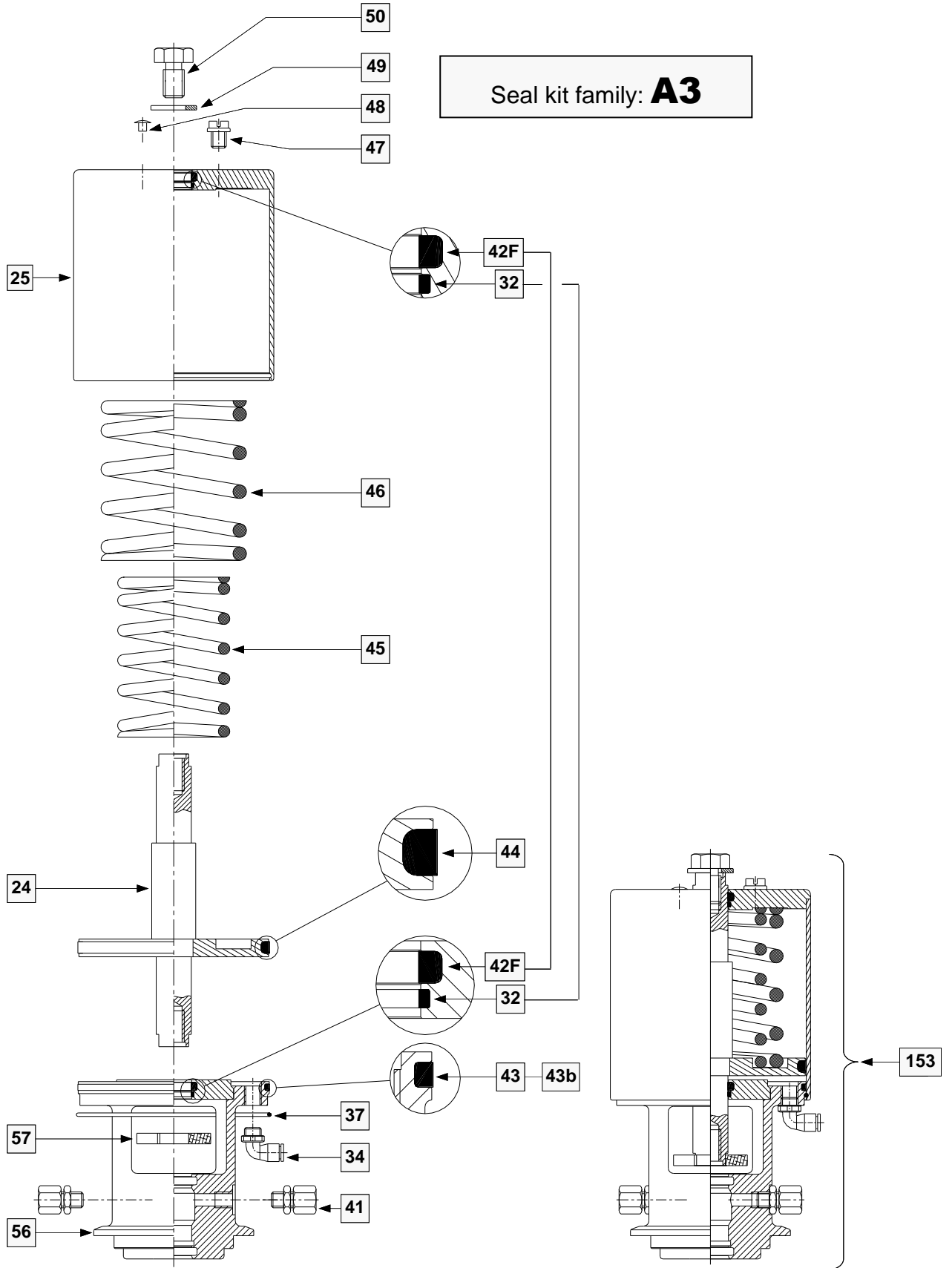
6.2 DCX3 LONG-STROKE VALVE ACTUATOR



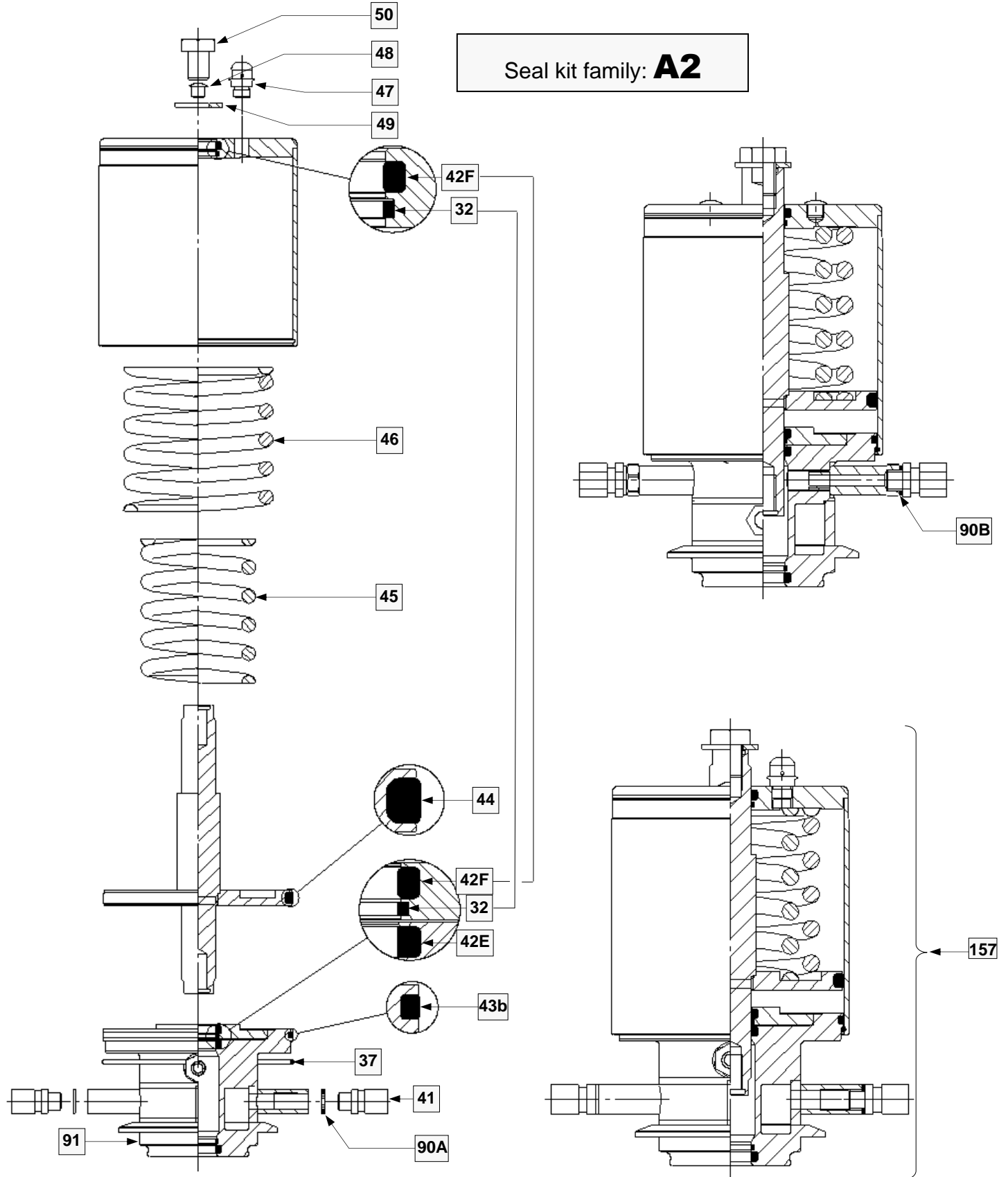
6.3 DCX3/4 ASEPTIC BEARING VALVE ACTUATOR



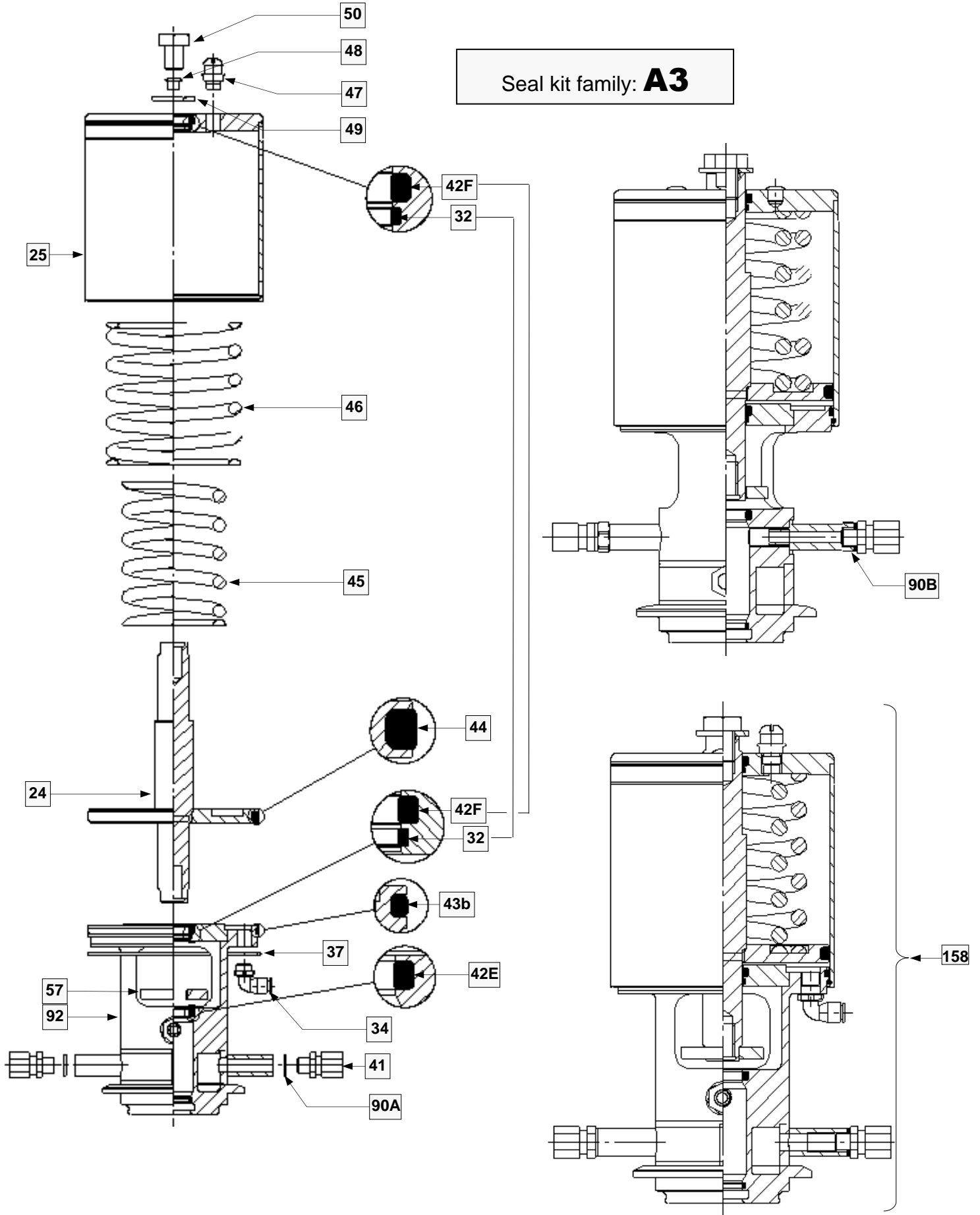
6.4 DCX3 ASEPTIC BEARING VALVE ACTUATOR (3A certified)



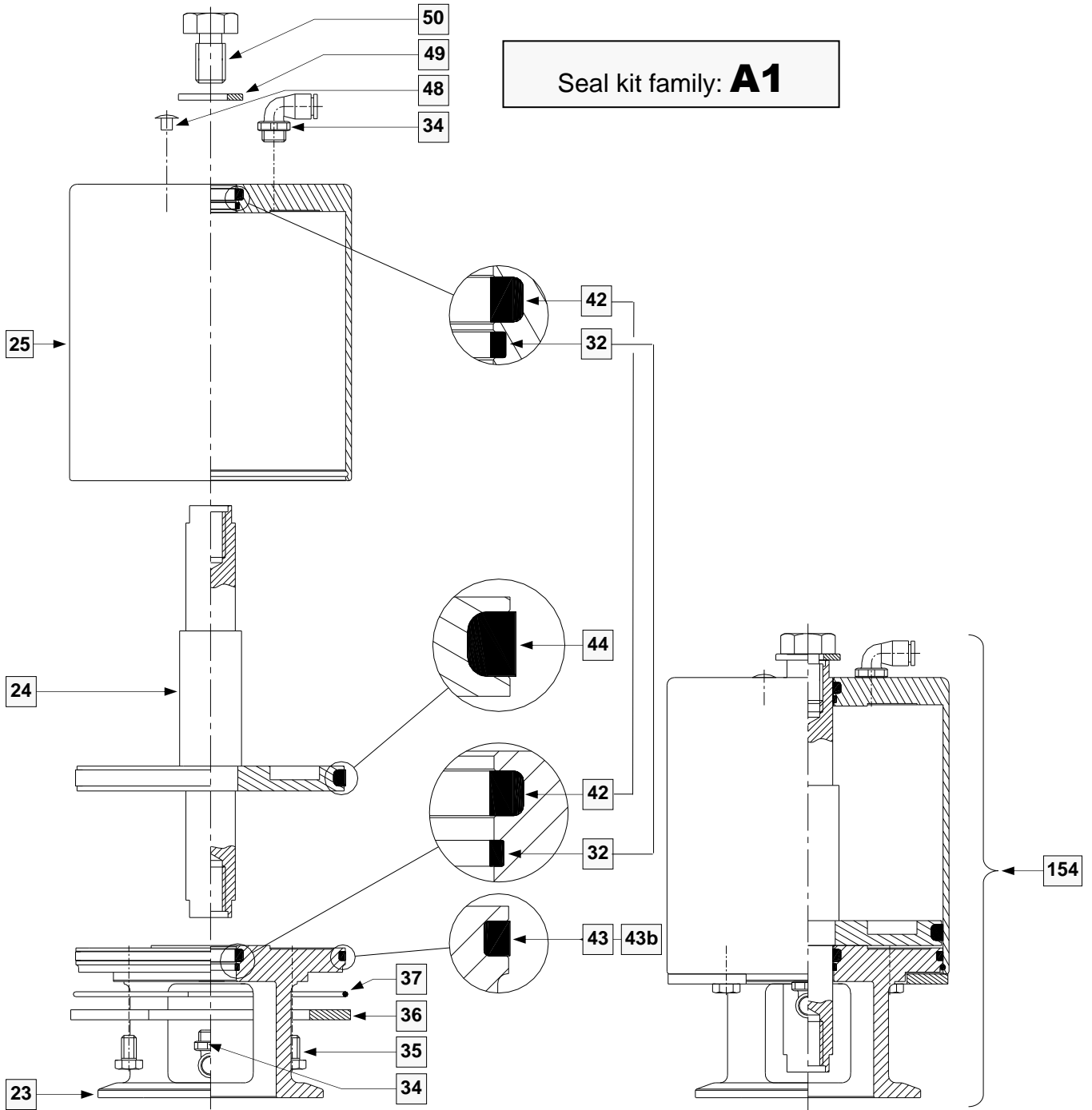
6.5 DCX3/4 ASEPTIC BEARING VALVE ACTUATOR w/ COOLING BEARING



6.6 DCX3 ASEPTIC BEARING VALVE ACTUATOR w/ COOLING BEARING (3A certified)

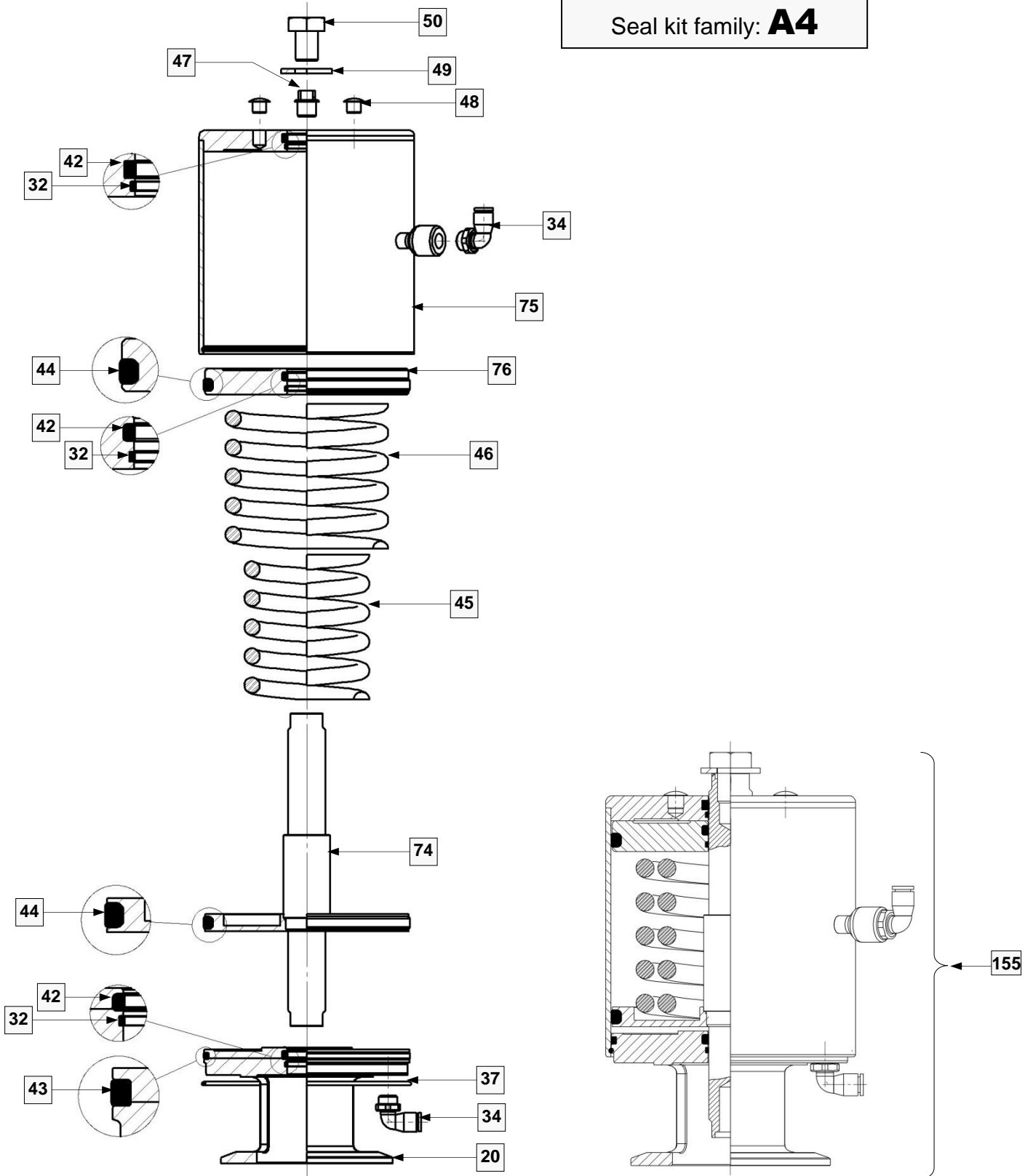


6.7 DCX STD DA VALVE ACTUATOR (DCX3/4 PFA & elastomer seal, DCX3 metal & diaphragm seal)

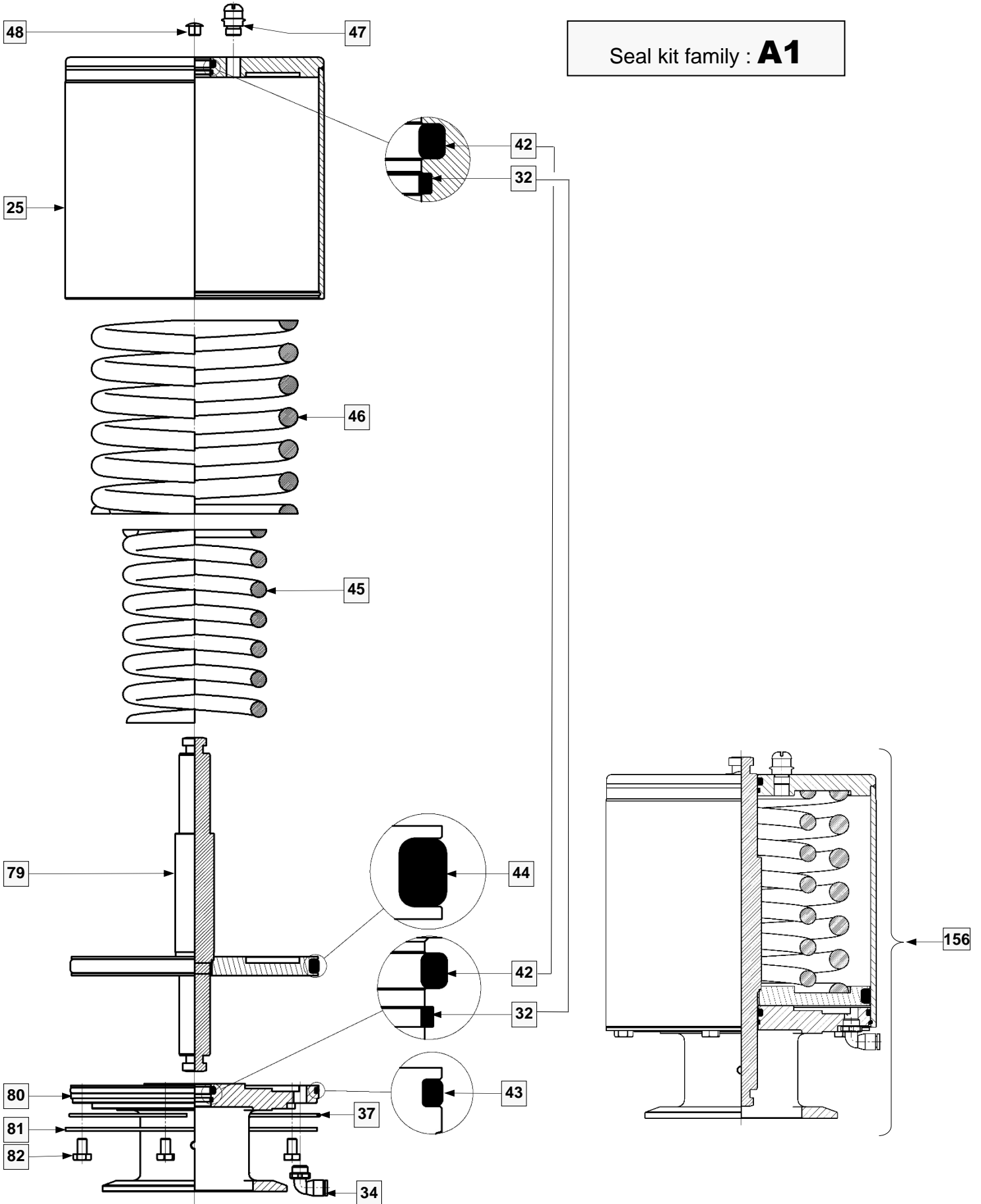


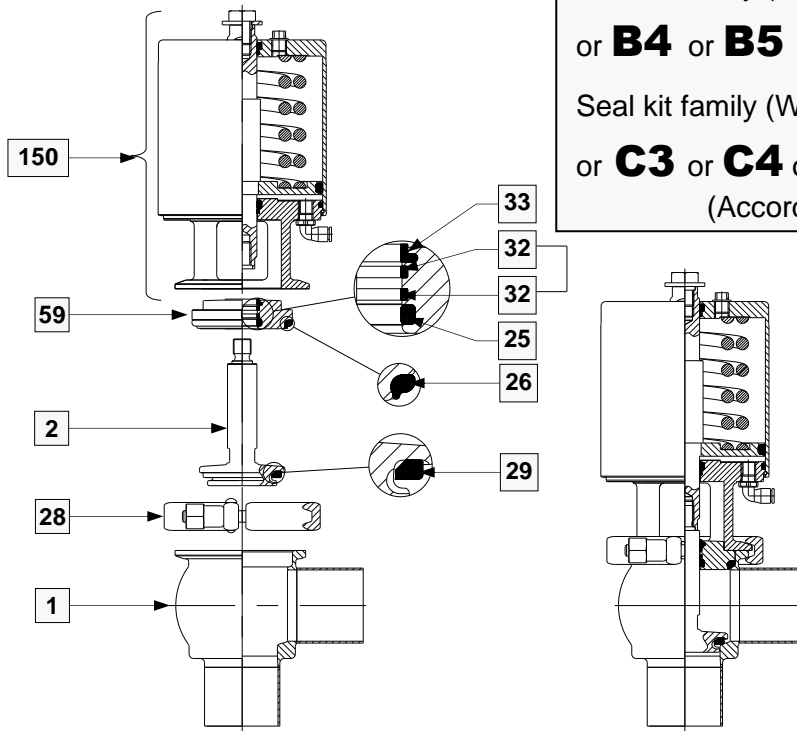
6.8 DCX3 RELIEF 3 FUNCTIONS VALVE ACTUATOR

Seal kit family: **A4**



6.9 **BALANCED DCX4 ACTUATOR**



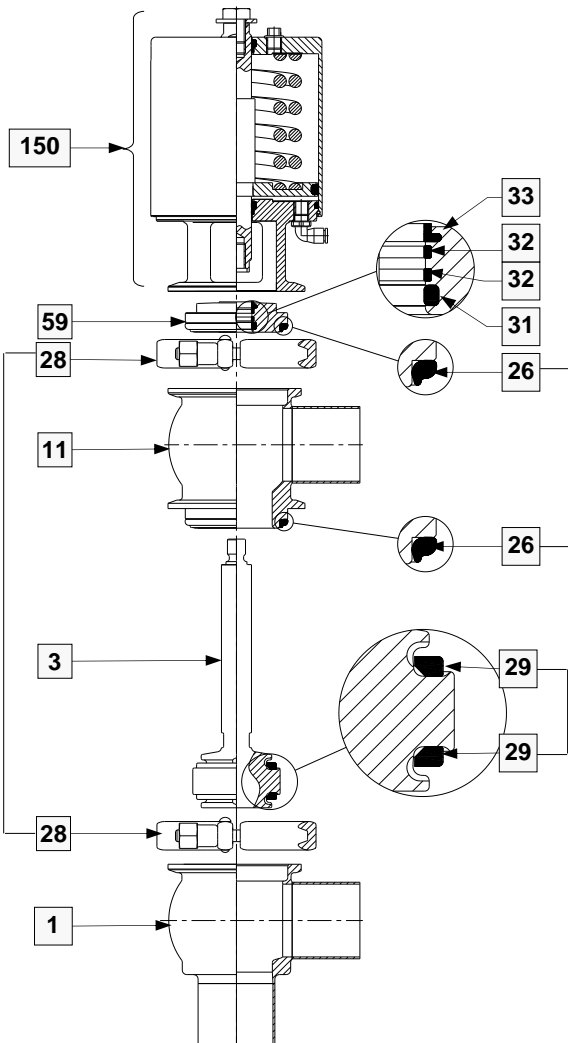


Seal kit family (complete): **B1** or **B2** or **B3**
or **B4** or **B5**

Seal kit family (Without PFA seal): **C1** or **C2**
or **C3** or **C4** or **C5**

(According to material grade)

DCX3

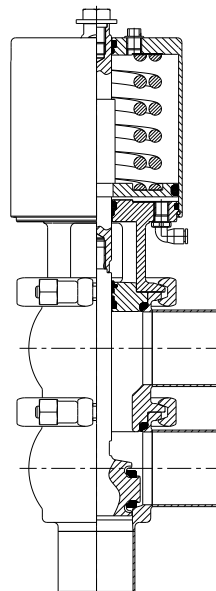


Seal kit family (complete): **G1** or **G2** or
G3 or **G4** or **G5**

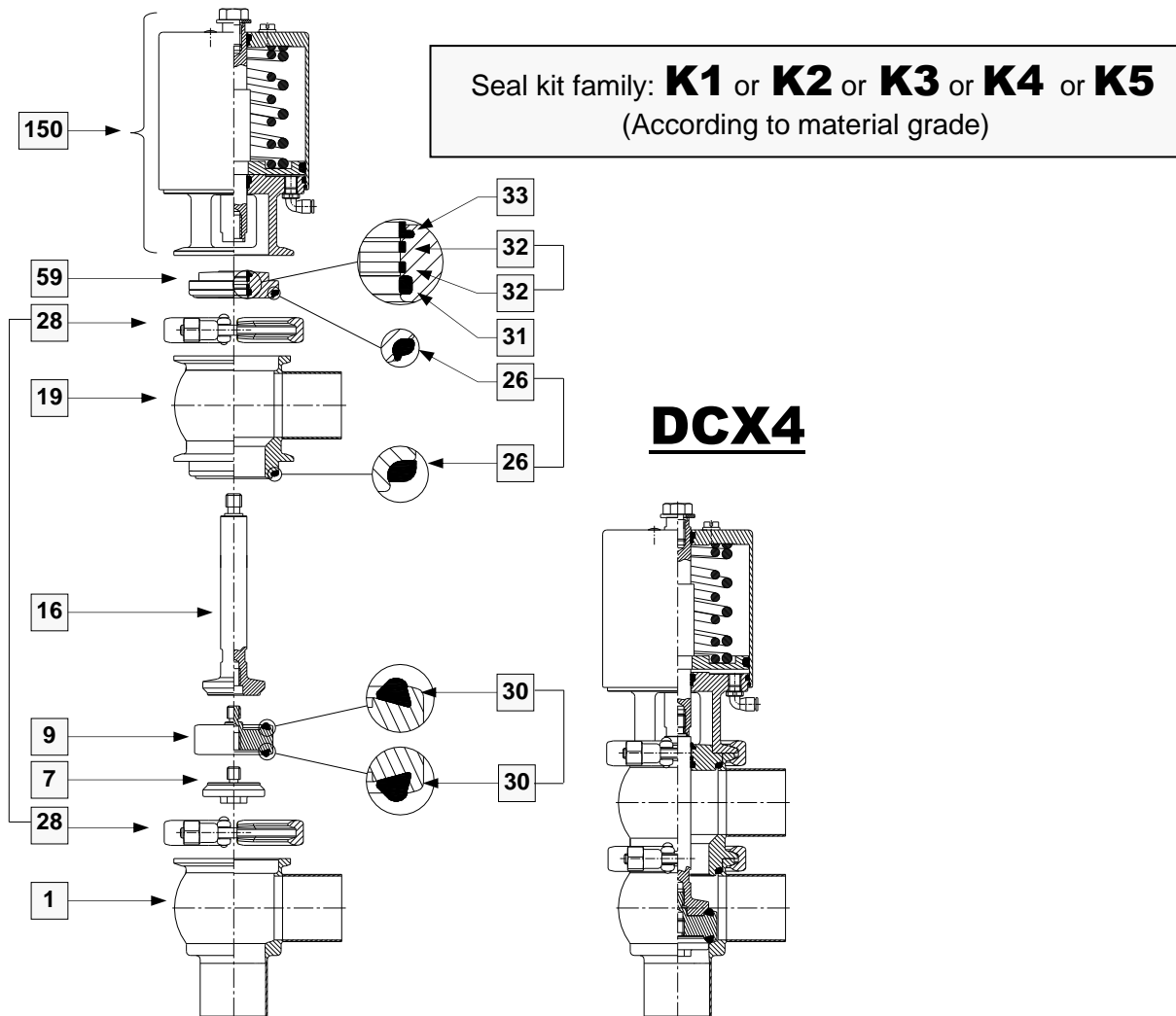
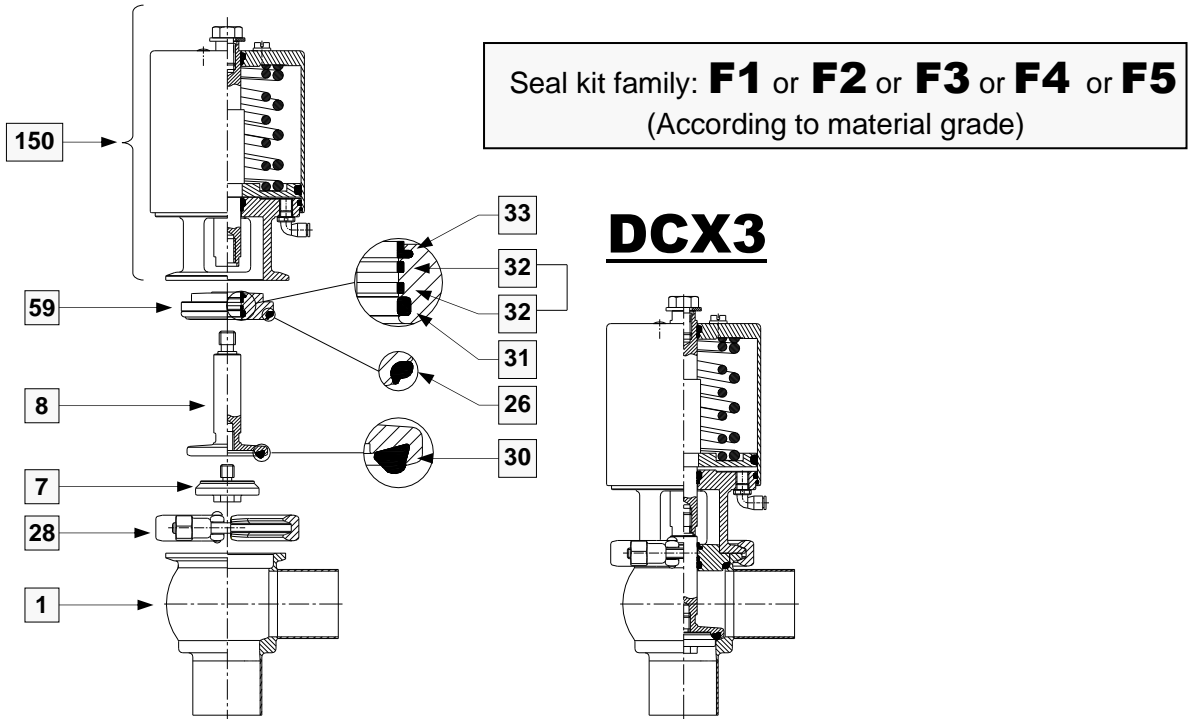
Seal kit family (Without PFA seal): **H1** or
H2 or **H3** or **H4** or **H5**

(According to material grade)

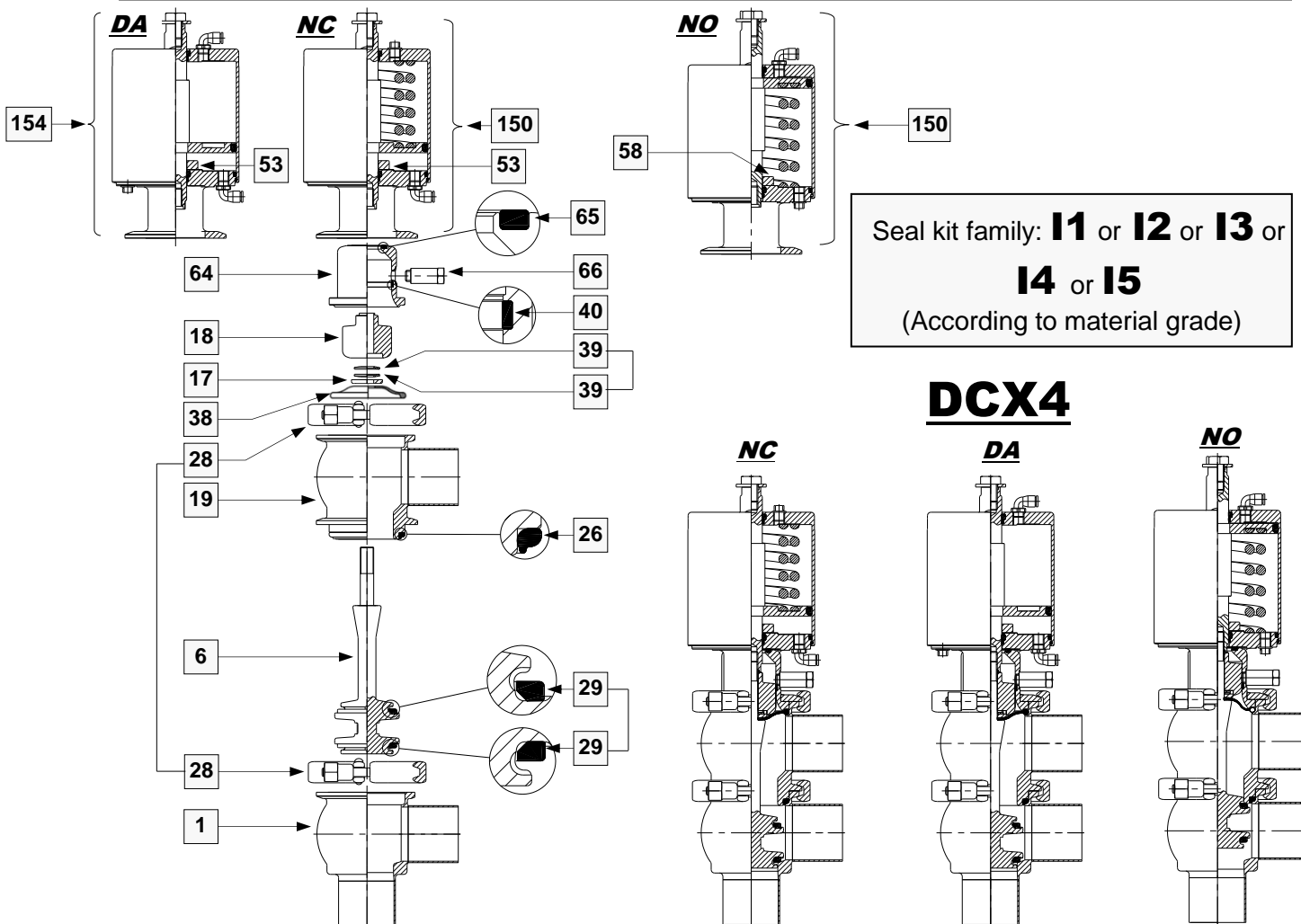
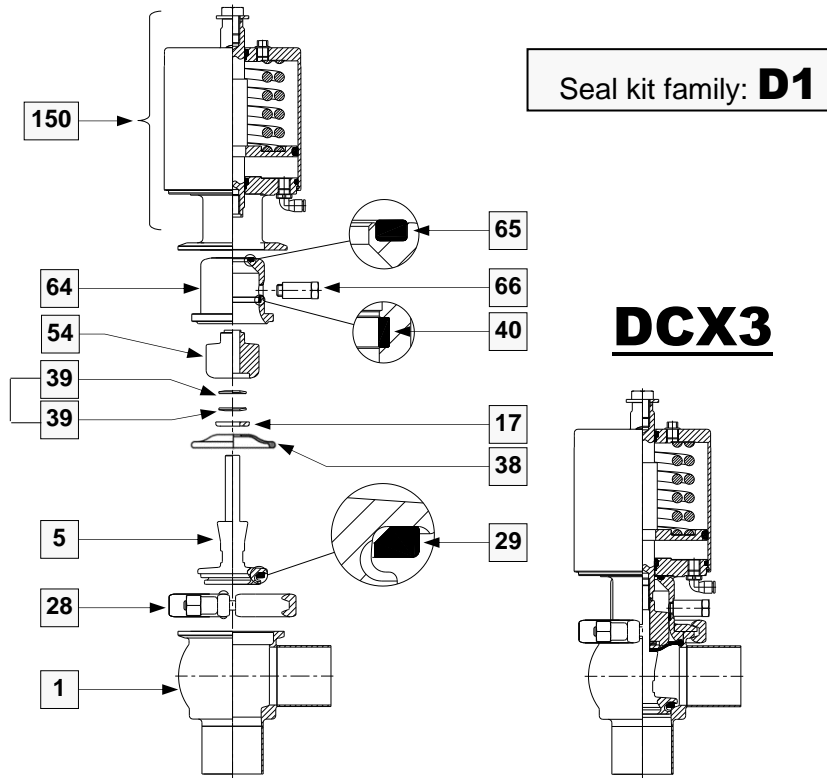
DCX4



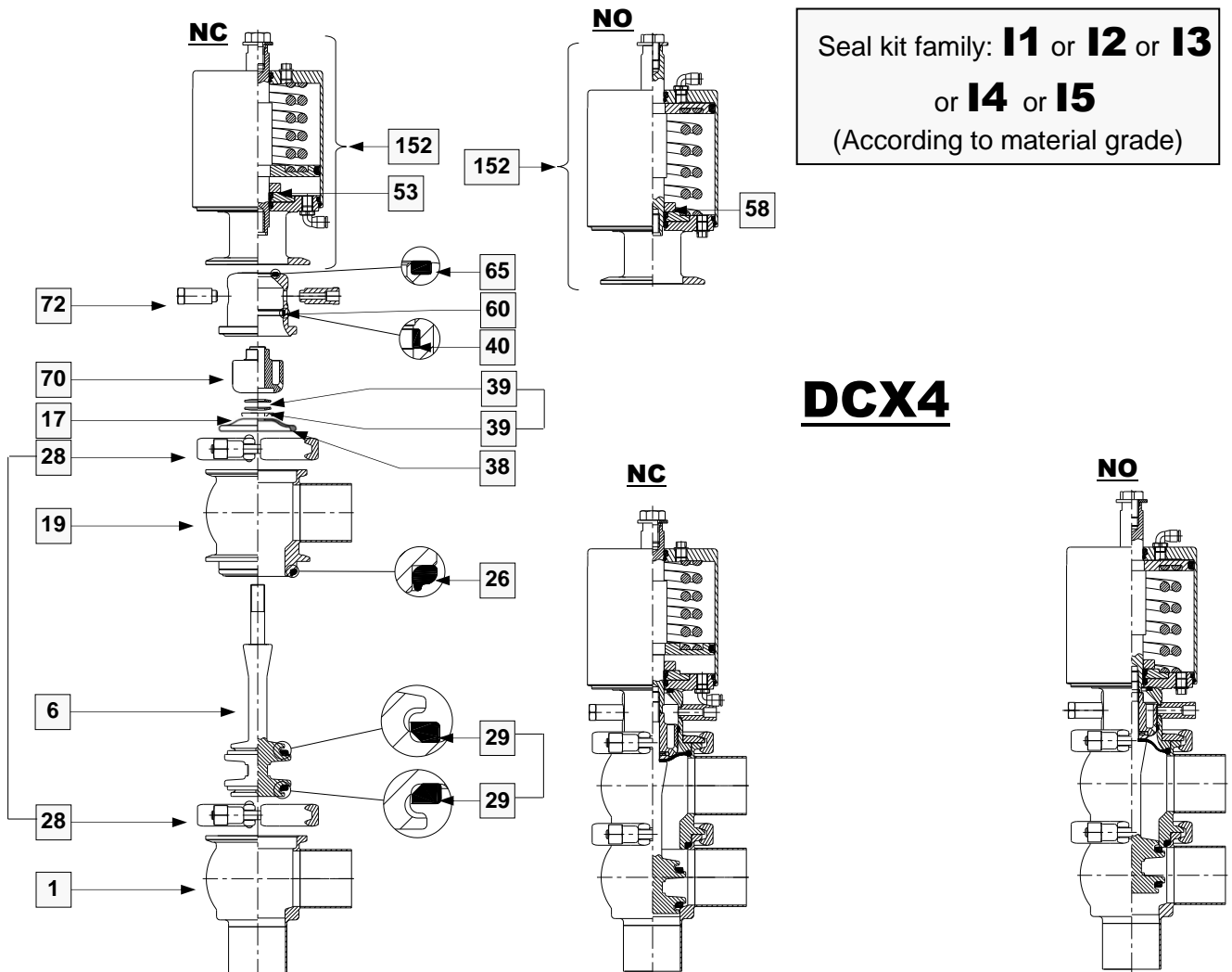
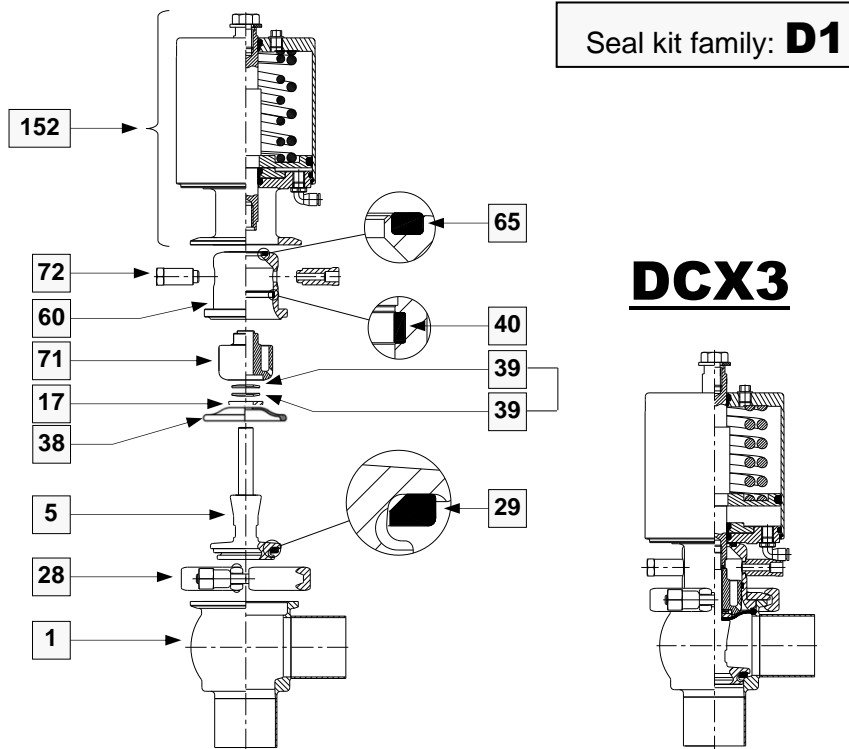
6.11 DCX3/4 ELASTOMER SEAL VALVE



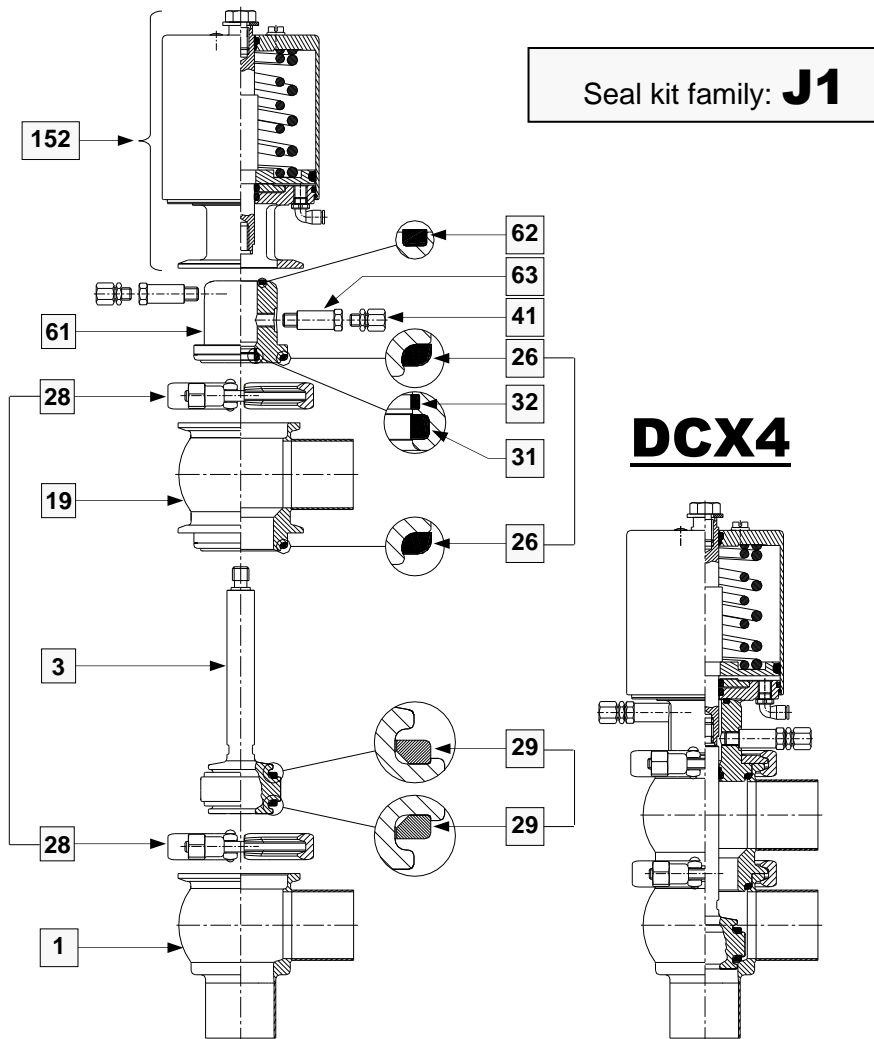
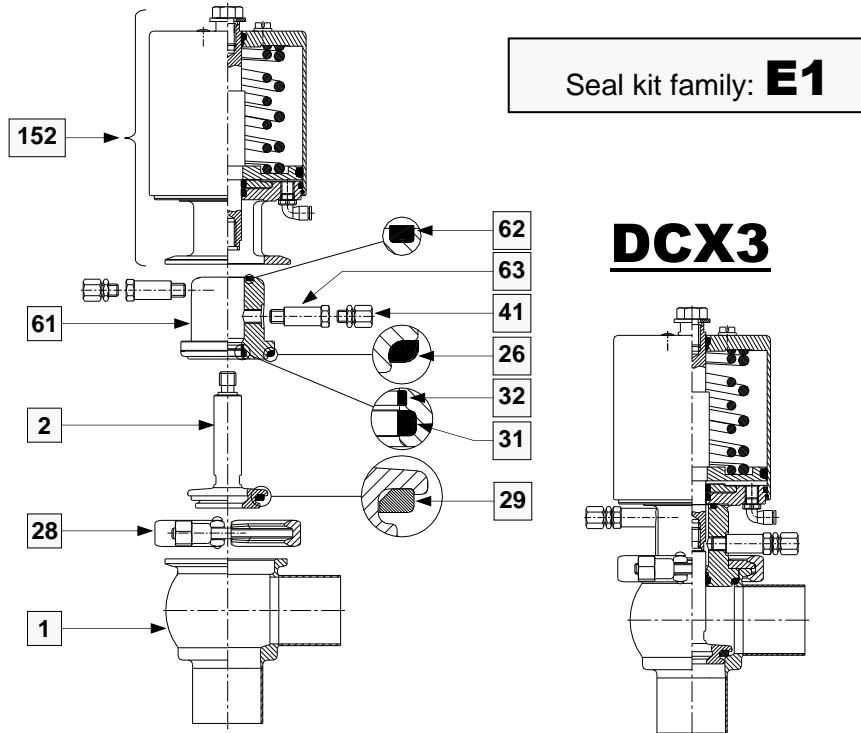
6.12 DCX3/4 DIAPHRAGM VALVE



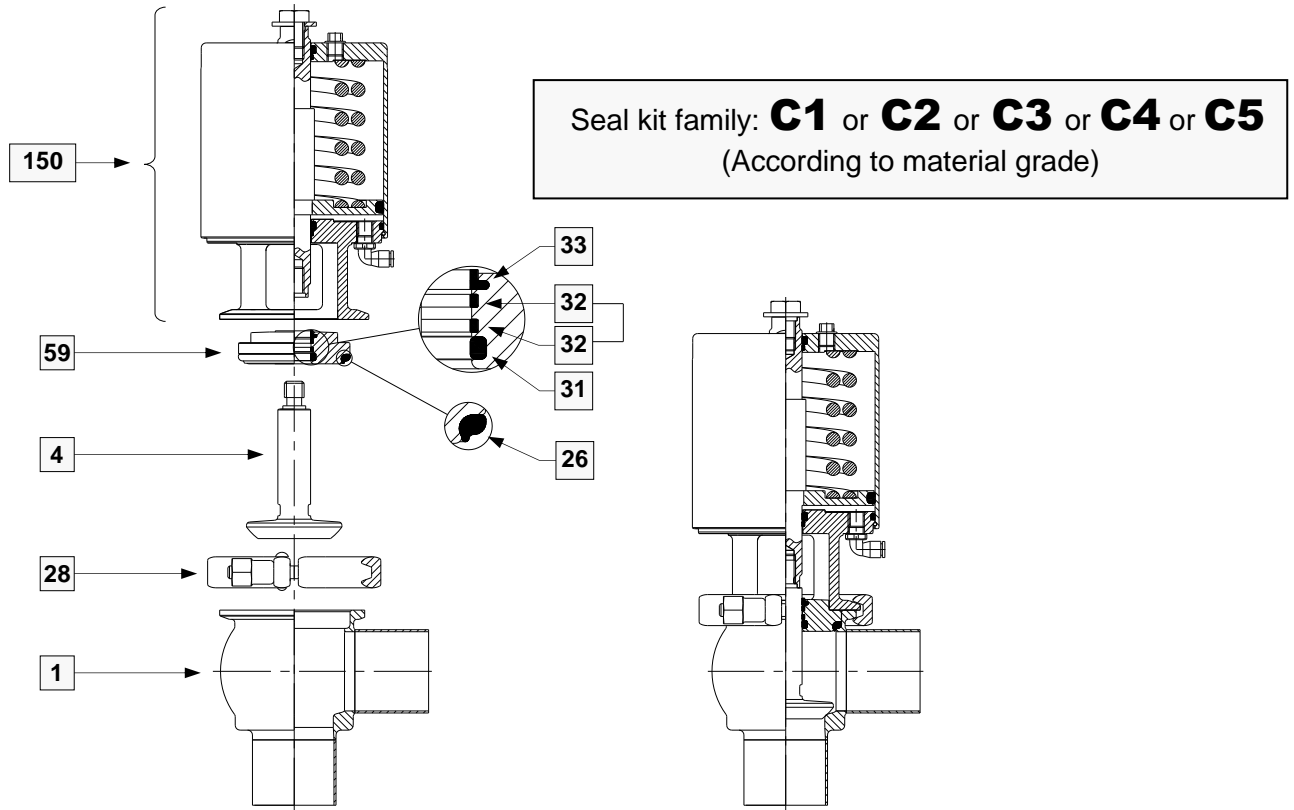
6.13 DCX3/4 DIAPHRAGM VALVE AND ALCOHOL BARRIER



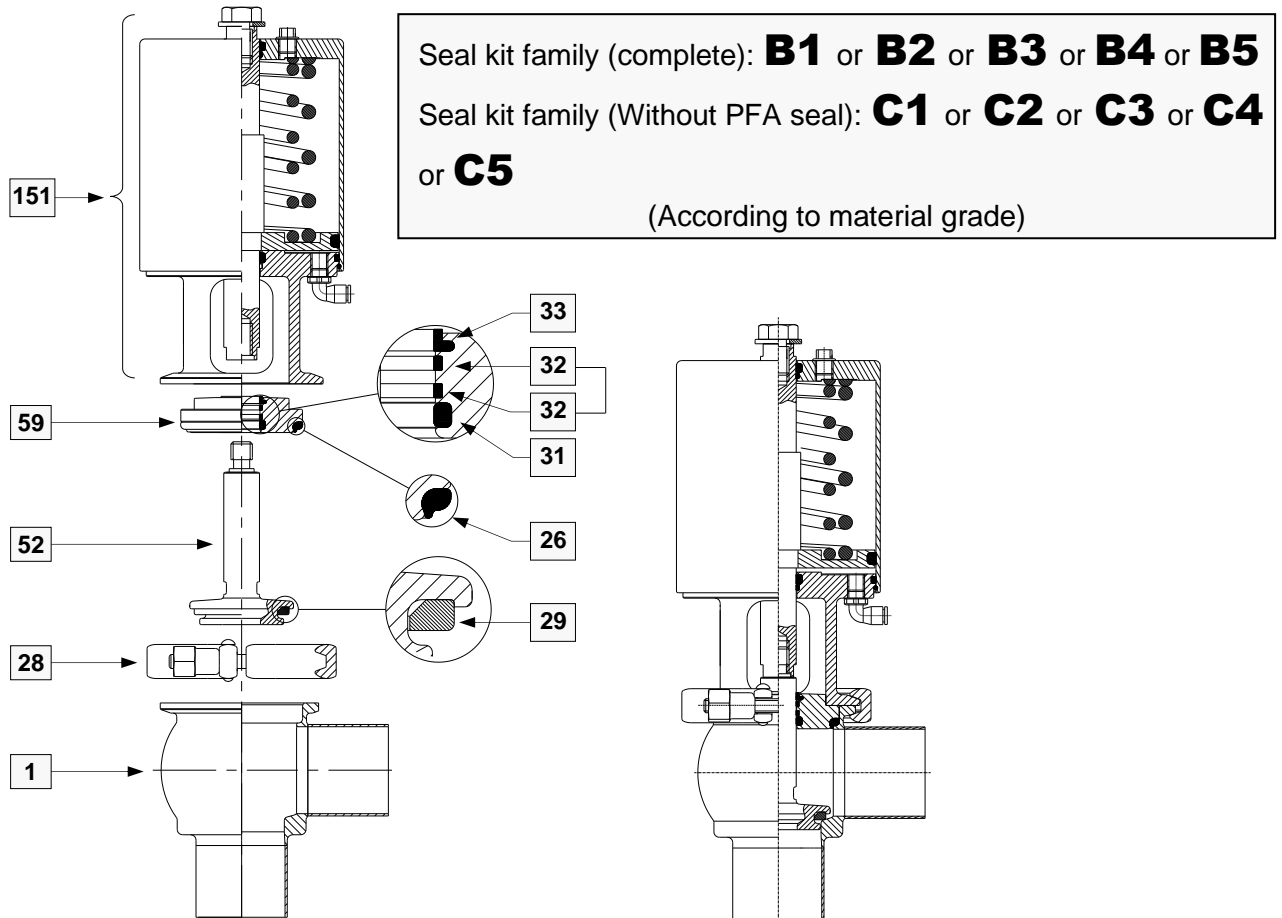
6.14 DCX3/4 ASEPTIC BEARING VALVE



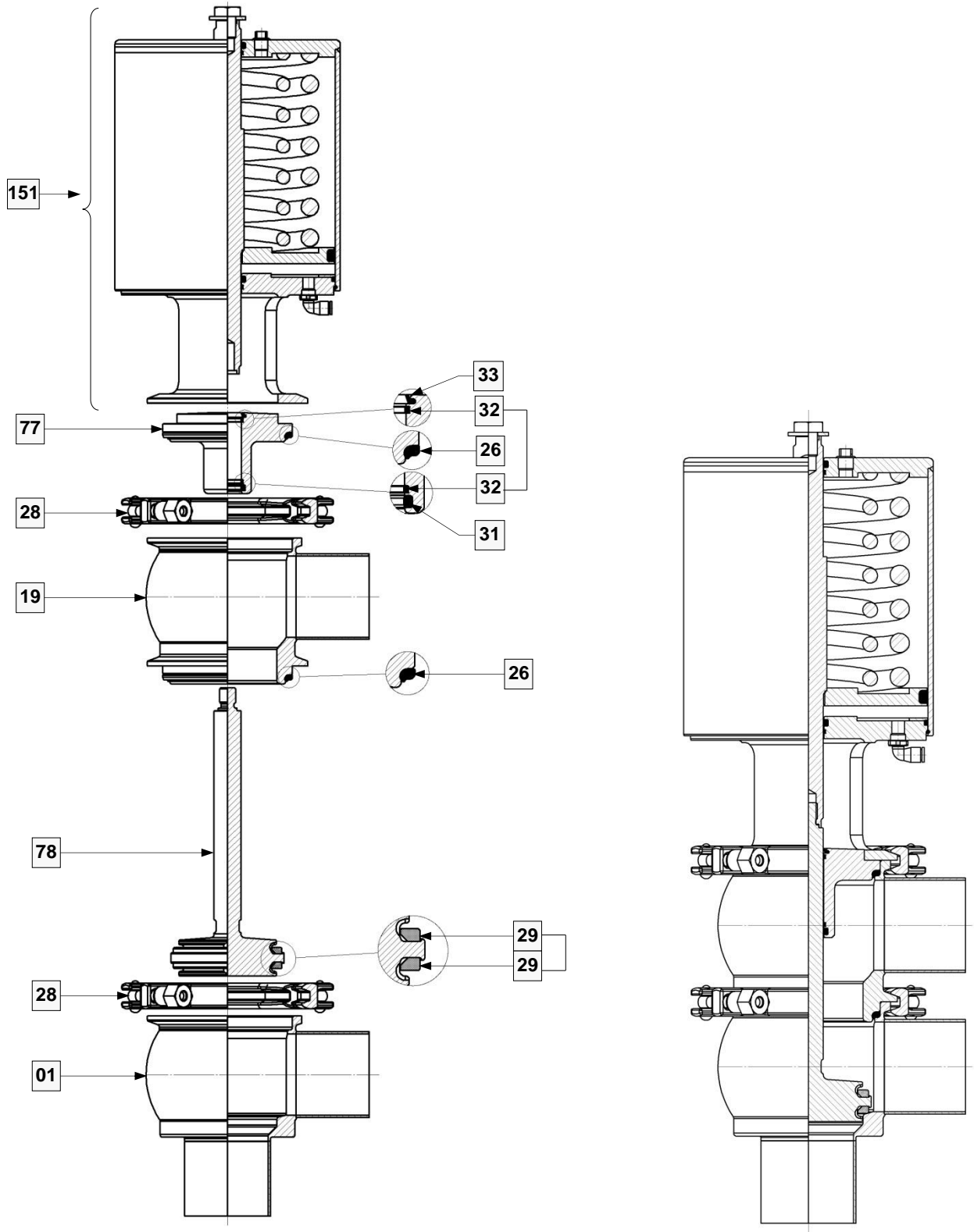
6.15 DCX3 METAL-TO-METAL SEALING VALVE



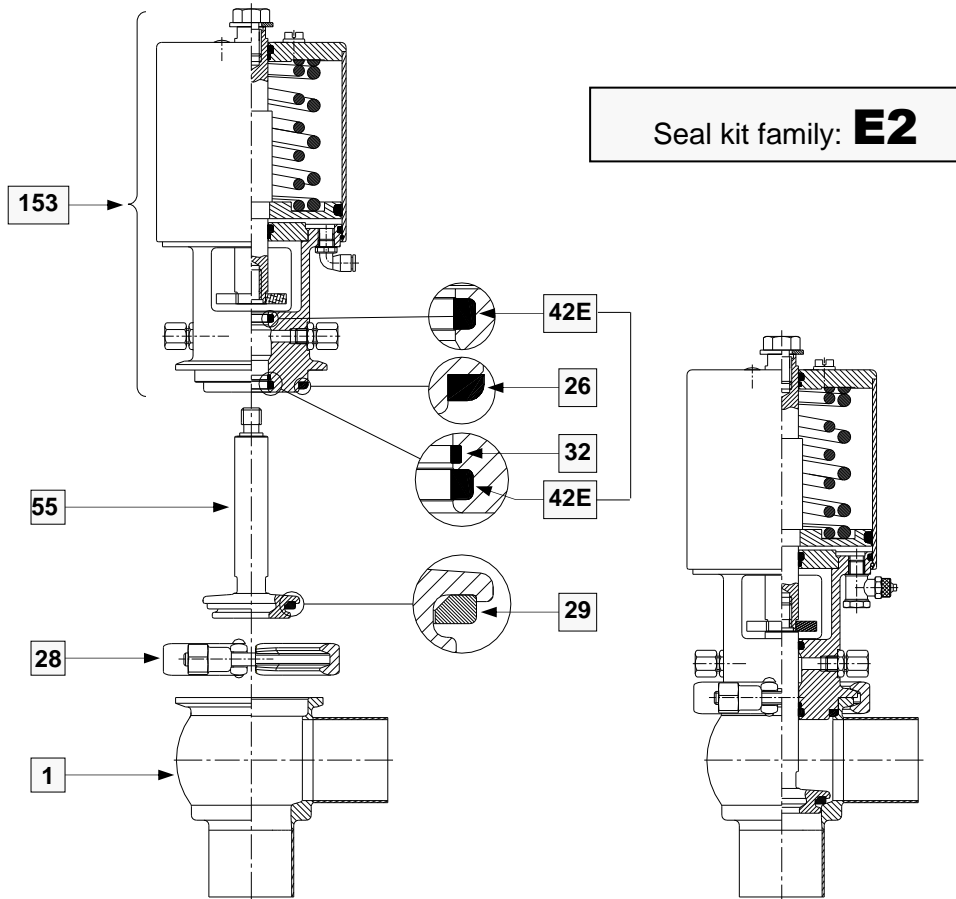
6.16 DCX3 LONG-STROKE VALVE



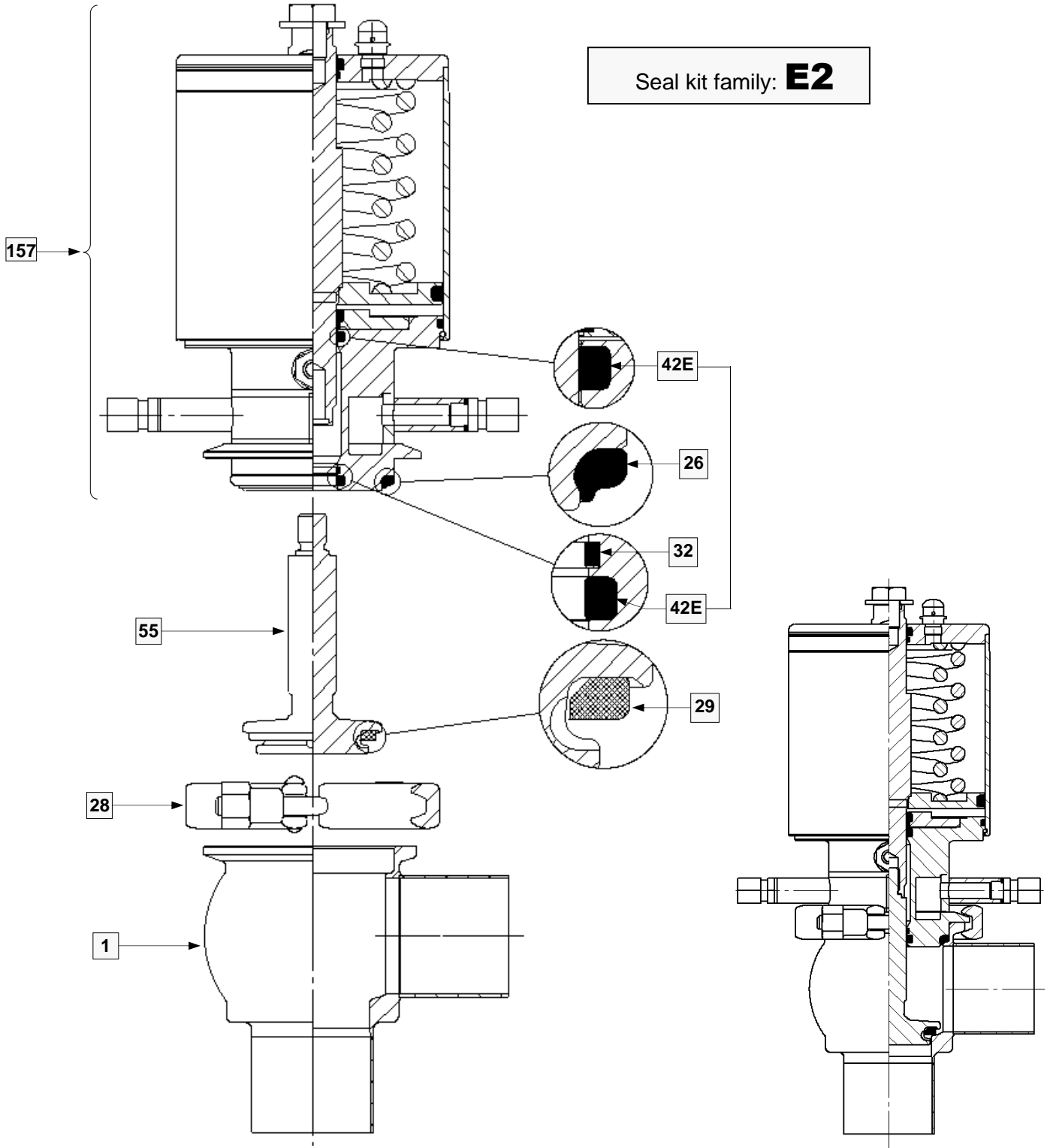
6.17 DCX4 LONG-STROKE VALVE



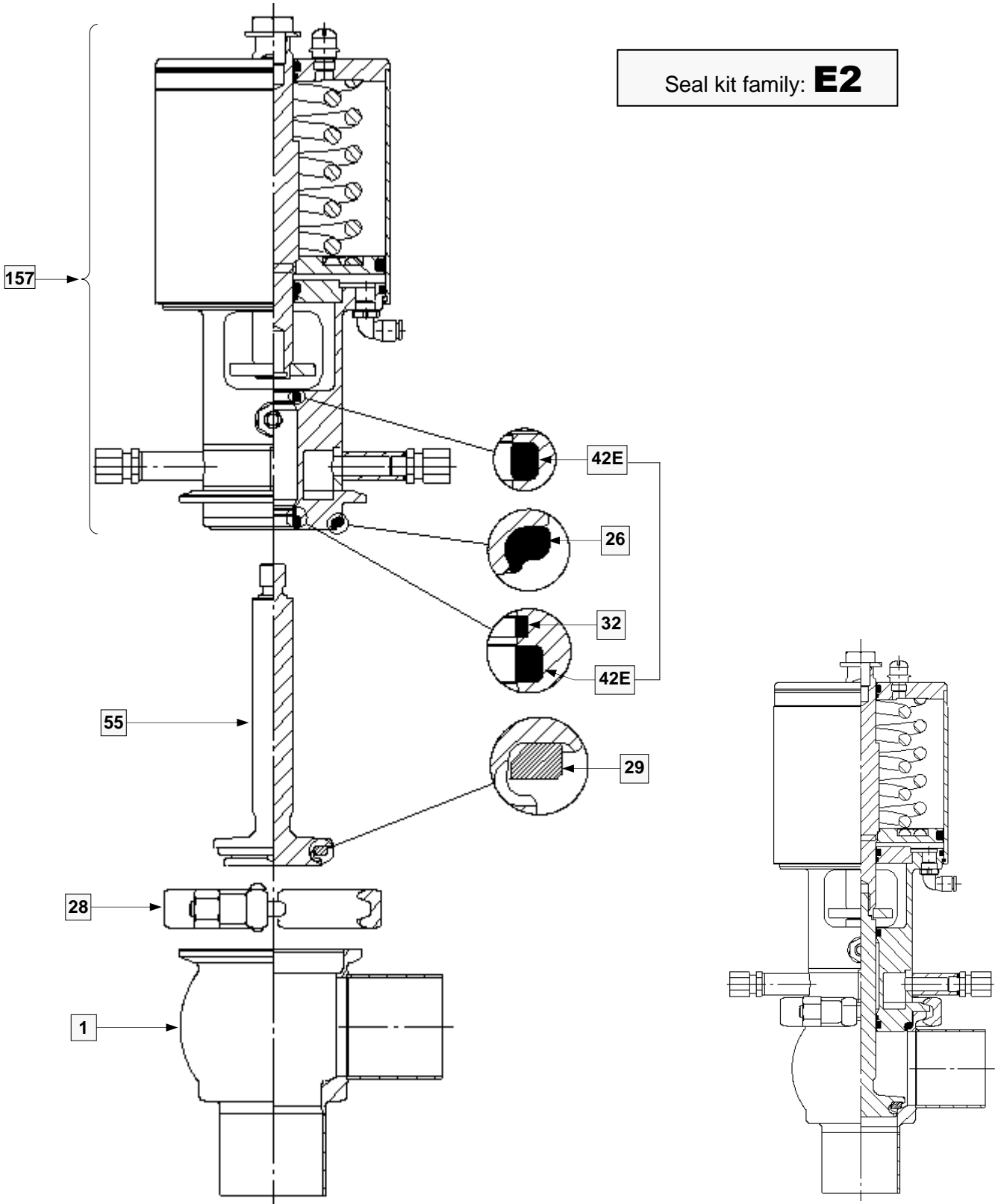
6.18 DCX3 ASEPTIC BEARING VALVE (3A Certified)



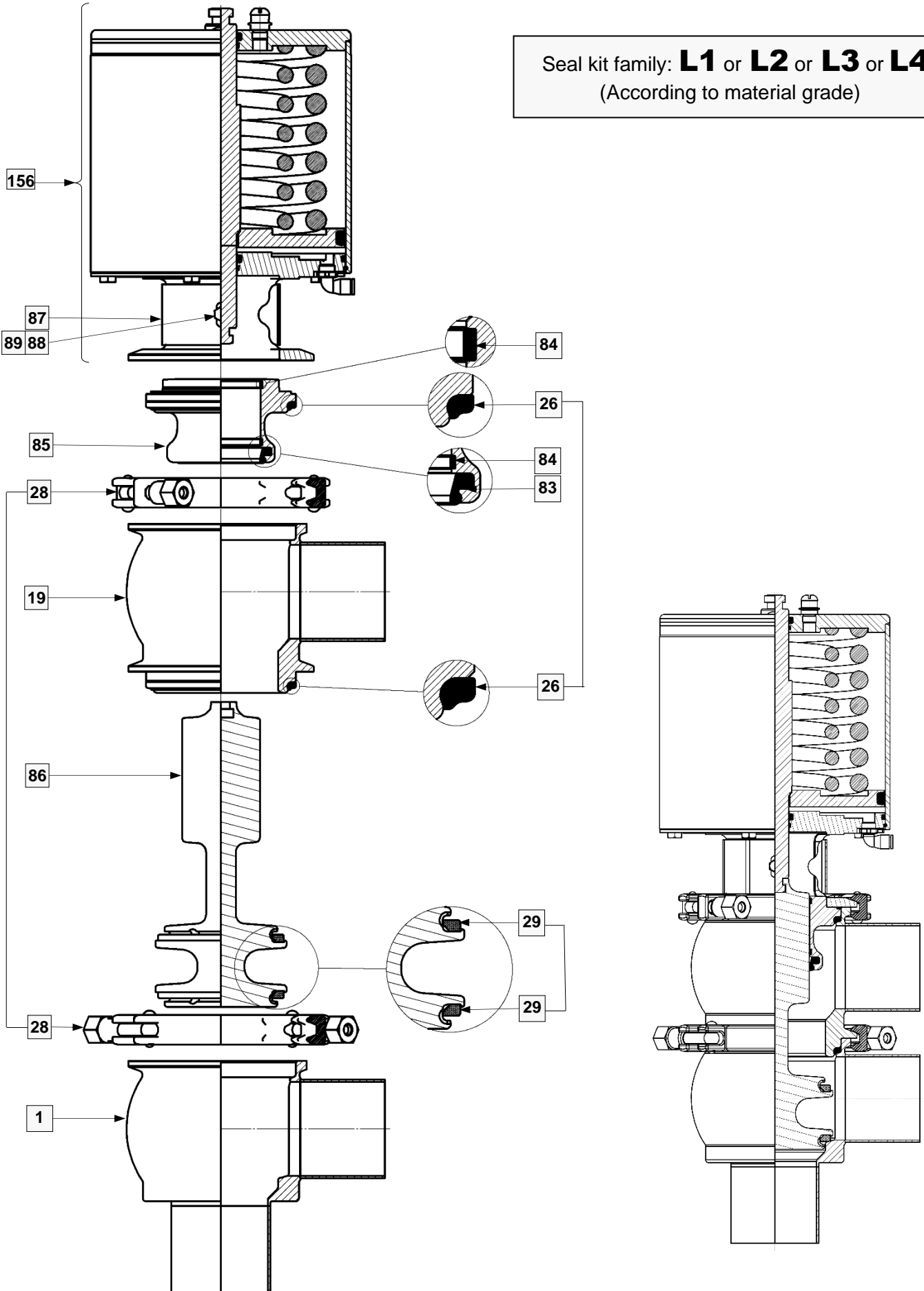
6.19 DCX3 ASEPTIC BEARING VALVE + COOLING BEARING



6.20 **DCX3 ASEPTIC BEARING VALVE + COOLING BEARING (3A Certified)**



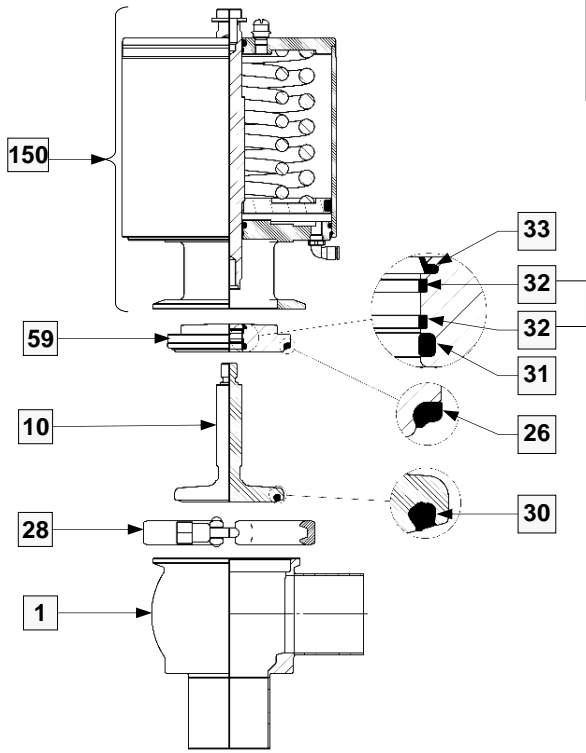
Seal kit family: **L1** or **L2** or **L3** or **L4**
(According to material grade)



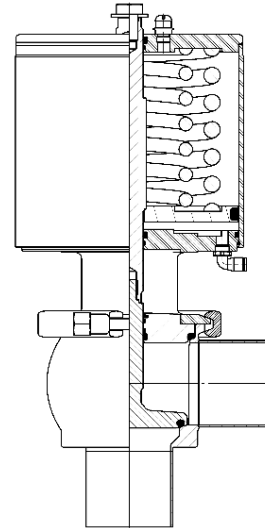
6.22 DCX3/4 VALVE MONOBLOC PLUG

6.22.1 DCX3/4 valve elastomer monobloc plug

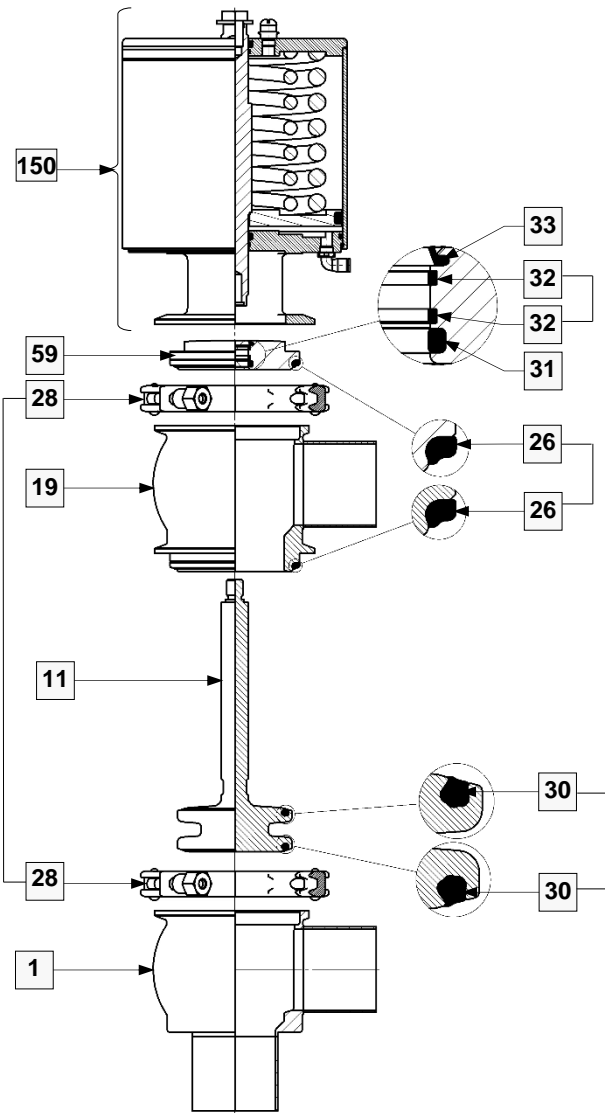
Seal kit family: **F1** or **F2** or **F3** or **F4** or **F5**
(According to material grade)



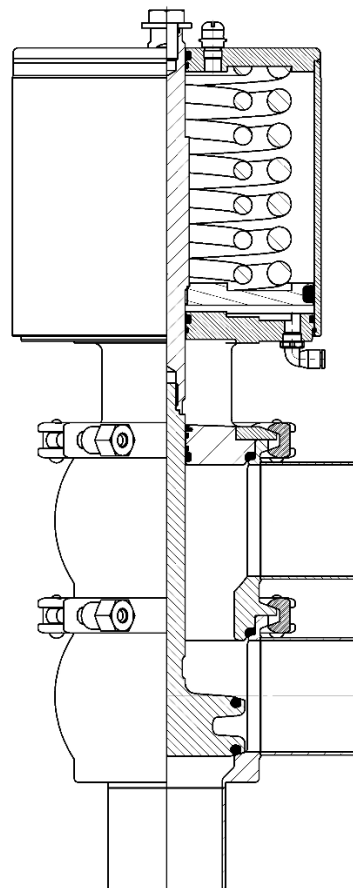
DCX3



Seal kit family: **K1** or **K2** or **K3** or **K4** or **K5**
(According to material grade)

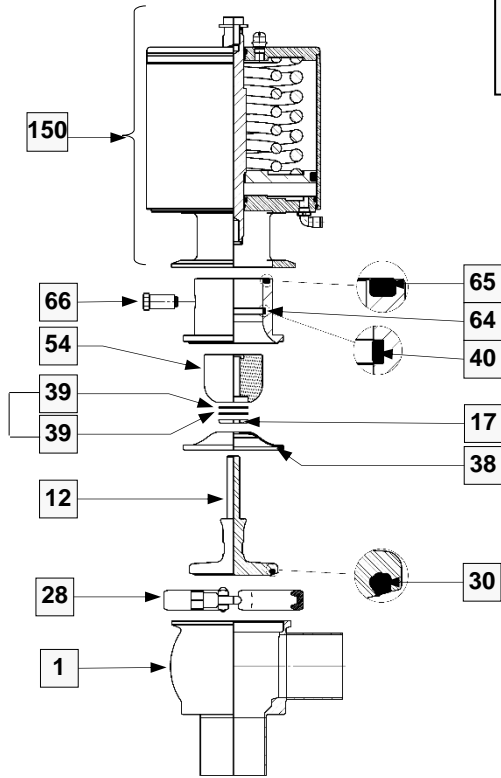


DCX4

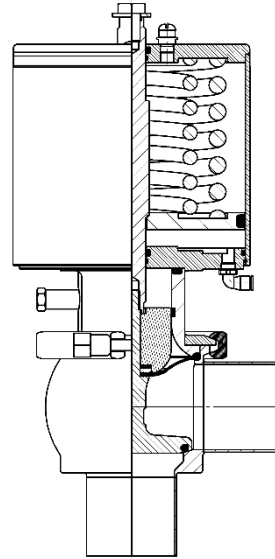


6.22.2 DCX3/4 diaphragm valve elastomer monobloc plug

Seal kit family: **M1** or **M2** or **M3** or **M4** or **M5**
(According to material grade)



DCX3

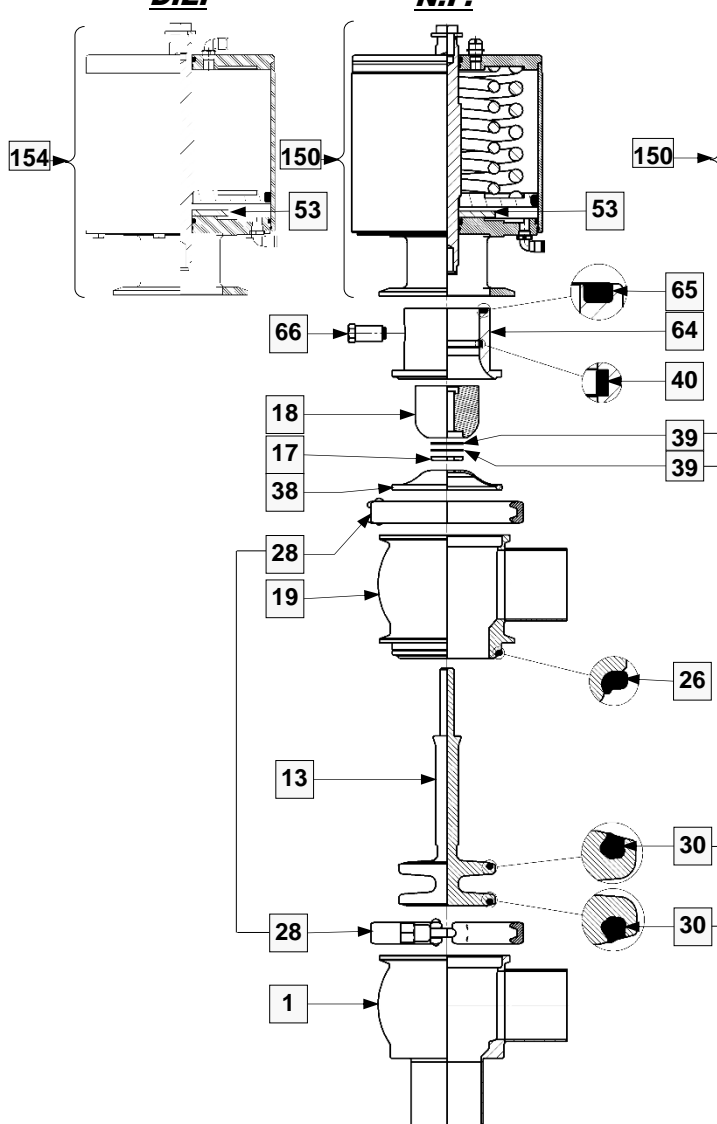


D.E.

N.F.

N.O.

Seal kit family: **N1** or **N2** or **N3** or
N4 or **N5**
(According to material grade)

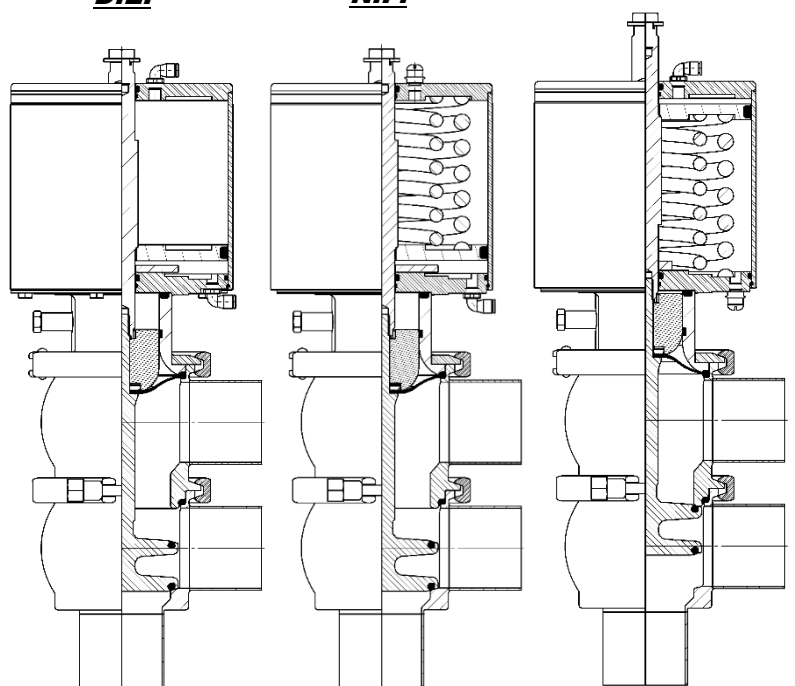


DCX4

D.E.

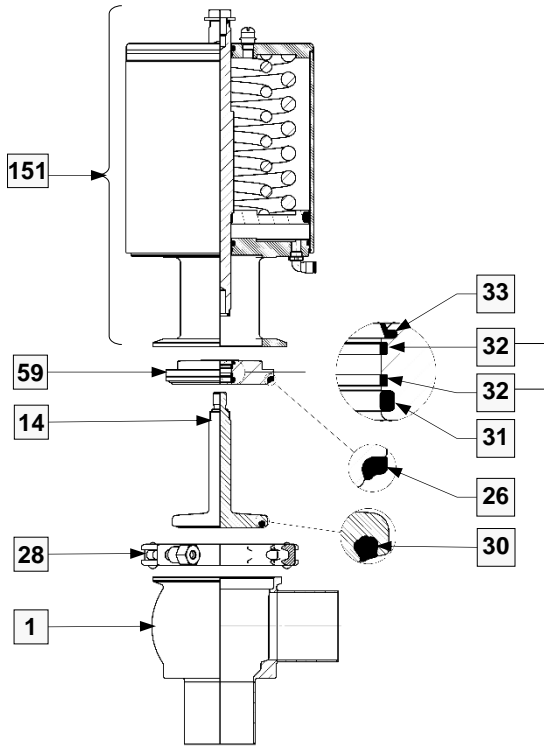
N.F.

N.O.

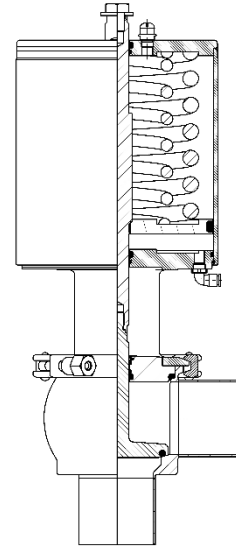


6.22.3 DCX3/4 long-stroke valve elastomer monobloc plug

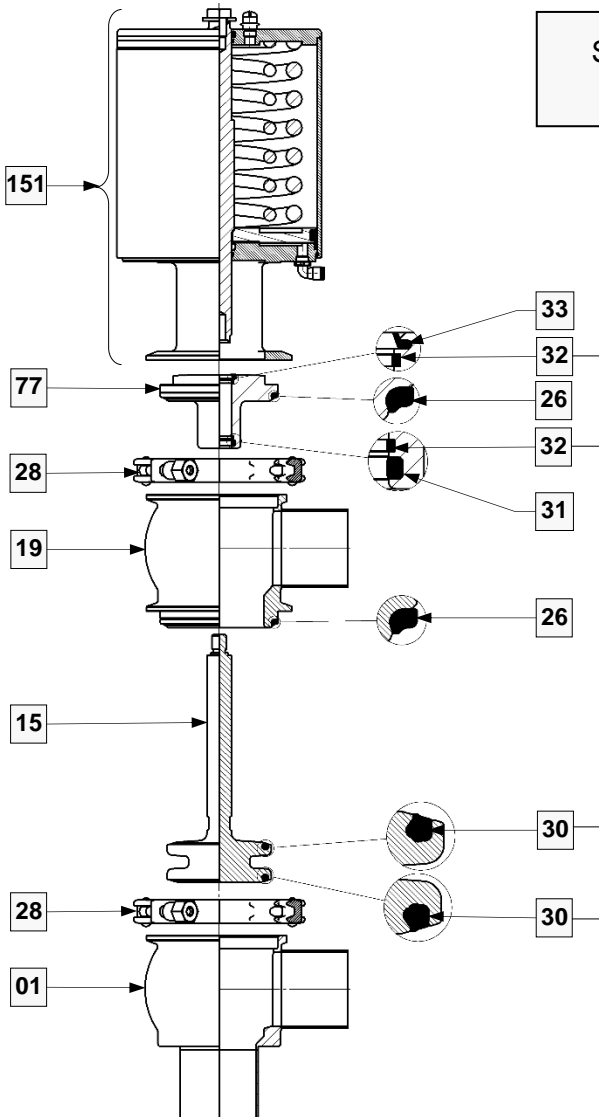
Seal kit family: **F1** or **F2** or **F3** or **F4** or **F5**
(According to material grade)



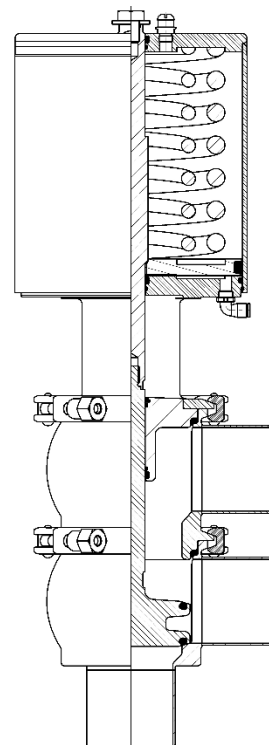
DCX3



Seal kit family: **K1** or **K2** or **K3** or **K4** or **K5**
(According to material grade)



DCX4



6.23 LIST OF PARTS FOR DN 25 to 51 DCX3/4 AUTOMATIC VALVES

Guide	Description	Qty	DN25 SMS	DN1" US	DN25 DIN	DN32 DIN	DN38 SMS	DN1"1/2 US	DN40 DIN	DN2" US	DN51 SMS	DN50 DIN
01	DCX3 valve body	1	Depending on body configuration									
02	DCX3 standard and aseptic seat valve plug	1	7005634			7005580			7005509			
03	DCX4 standard and aseptic seat valve plug	1	7005640	7005641	7005640	7005679	7005579	7005578	7005579	7005514	7005518	
04	Metal/Metal Plug	1	7300221				7300225				7300217	
05	DCX3 diaphragm Plug	1	7300054			7300191	7300055			7300056		
06	DCX4 diaphragm Plug	1	7300253	7300254	7300253	7300256	7300257	7300271	7300257	7300259	7300258	
07	Plate elastomer seal plug	1	7300005									
08	DCX3 plug elastomer seal	1	7300004			7300070			7300071			
09	DCX4 elastomer seal double plug	1	7300006			7300157			7300158			
10	DCX3 elastomer seal monobloc plug	1	7303848			7303849			7303850			
11	DCX4 elastomer seal monobloc plug	1	7303883	7303877	7303883	7303884	7303885	7303878	7303885	7303879	7303886	
12	DCX3 diaphragm elastomer seal monobloc plug	1	7303866			7303867	7303868			7303869		
13	DCX4 diaphragm elastomer seal monobloc plug	1	7303894	7303911	7303894	7303895	7303896	7383912	7303896	7303913	7303897	
14	DCX3 long-stroke elastomer seal monobloc plug	1	7303858									
15	DCX4 long-stroke elastomer seal monobloc plug	1				7304209	7304210	7304204	7304210	7304205	7304211	
16	DCX4 elastomer seal valve intermediate stem	1	7300007	7300008	7300007	7300143	7300144	7300008	7300144	7300147	7300146	
17	DCX3/4 diaphragm valve washer	1	7300189									
18	DCX4 diaphragm valve intermediate piece	1	7300255									
19	DCX4 body	1	Depending on body configuration									
20	Lantern for DCX3/4 standard valve	1	7301470									
21	Lantern for DCX3 long-stroke valve	1	7300101									
22	Lantern for DCX3/4 aseptic seat valve	1	7301492									
23	Lantern for DCX3/4 DA (double-acting) valve	1	7301591									
24	DCX3/4 stem/piston assembly	1	7005573									
25	DCX3/4 actuator body	1	7005572									
26	Seal support plate O-ring EPDM	1 - 2	7380158									
26	Seal support plate O-ring FKM FP75	1 - 2	7010808									
26	Seal support plate O-ring FKM P113	1 - 2	7380607									
26	Seal support plate O-ring VMQ	1 - 2	7006171									
26	Seal support plate O-ring HNBR	1 - 2	7381072									
27	Actuator body for DCX3 long-stroke valve	1	7005572									
28	Clamp collar	1 - 2	7441831									
29	Plug seal for DCX3/4 PFA	1 - 2	7005138									
30	Elastomer plug O-ring EPDM	1 - 2	7006174									
30	Elastomer plug O-ring FKM FP75	1 - 2	7380913									
30	Elastomer plug O-ring FKM P113	1 - 2	7006173									
30	Elastomer plug O-ring VMQ	1 - 2	7006172									
30	Elastomer plug O-ring HNBR	1 - 2	7381075									
31	Seal support plate O-ring EPDM	1	7380137									
31	Seal support plate O-ring FKM FP75	1	7010806									
31	Seal support plate O-ring FKM P113	1	7006157									
31	Seal support plate O-ring VMQ	1	7006170									
31	Seal support plate O-ring HNBR	1	7381076									
32	Lantern, of body and seal support plate ring	2 - 3	7009993									
33	Seal support plate scraper seal	1	7006147									
34	Adjustable male elbow	1 - 2	7010116									
35	Holding plate TH screw	4 - 5	7006782									
36	Holding plate	1	7300244									
37	Stainless steel snap-ring	1	7380174									
38	Diaphragm PTFE DCX3/4	1	7006691									
39	DCX diaphragm valve spring washer	2	7007425									
40	Diaphragm seal support plate ring	1	7003558									
41	Steam bearing straight connector	2	7008951									
42	Lantern and body O-ring NBR	1-2	7380808									
42E	Lantern O-ring EPDM (aseptic)	1-2	7380137									
42F	Lantern and actuator body O-ring FKM P113	2	7006157									
43	Lantern O-ring NBR	1	7380176									
43b	Lantern O-ring FKM (aseptic seat)	1	7380178									
44	Piston Torque seal NBR	1	7380316									
44	Piston O-ring FKM (aseptic seat)	1	7380601									
45	Standard actuator spring (Small)	1	7006186									
46	Standard actuator spring (Large)	1	7007800									
47	Pierced plastic cap	1	7002496									
48	SKIFFY cap	2	7009954									
49	Actuator stem spring	1	7007415									
50	Actuator stem TH screw	1	7006806									
51	Stem/piston assembly for DCX3 long-stroke valve	1	7300105									
52	Plug for DCX3 long-stroke valve	1	7300082									
53	Shim for DCX4 NC or DA diaphragm valve	1	7302798									
54	Intermediate part for DCX3 diaphragm valve	1	7300062									
55	Plug for DCX3 aseptic seat valve (Version 3A)	1	7300824			7300825			7300806			
56	Lantern for DCX3/4 aseptic seat valve (Version 3A)	1	7300821									
57	Plastic indicator (aseptic version 3A)	1	7301368									
58	Shim for NO DCX4 diaphragm valve	1	7301474									
59	Seal support plate for DCX3/4 standard valve	1	7301993									
60	Seal support plate for DCX3/4 alcohol barrier valve	1	7301483									
61	Seal support plate for DCX3/4 aseptic bearing valve	1	7006145									
62	Seal support plate O-ring for aseptic bearing valve	1	7009080									
63	Aseptic seat extension	2	7009080									
64	Seal support plate for DCX3/4 diaphragm valve	1	7301533									
65	Seal support plate O-ring, with leak collector EPDM	1	7006145									
65	Seal support plate O-ring, with leak collector FKM	1	7381053									
65	Seal support plate O-ring, with leak collector FKM	1	7380624									
65	Seal support plate O-ring, with leak collector VMQ	1	7006204									

65	Seal support plate O-ring, with leak collector HNBR	1	7381108						7381078		
66	Leak collector extension	2	7009107								
67	DCX3/4 stem/piston assembly aseptic seat	1	7303187						7303183		
68	Long-stroke valve actuator spring (Small)	1							7007796		
69	Long-stroke valve actuator spring (large)	1	7007800						7007797		
70	Intermediate part for DCX4 alcohol diaphragm valve	1									
71	Intermediate part for DCX3 alcohol diaphragm valve	1							7301994		
72	Alcohol diaphragm extension	2	7009107								
73	Aseptic lantern ring	1	7010655						7010656		
74	Stem/piston assembly for DCX3 relief 3 functions	1	7811077						7811649		
75	Actuator body for DCX3 relief 3 functions	1	7811075						7811648		
76	Piston for DCX3 relief 3 functions	1	7811079						7811650		
77	Seal support plate for DCX4 long-stroke valve	1	7301474						7301475		
78	Plug for DCX4 long-stroke valve	1	7302770	7302771	7302770	7302806	7302772	7302773	7302772	7300944	7302767
79	Stem/piston assembly for balanced DCX4	1	7303706						7303700		
80	Lantern for balanced DCX4	1	7303716						7303715		
81	Balanced DCX4 fastening plate	1	7300244						7300246		
82	H screw for balanced DCX4 fastening plate	4	7006782						7380356		
83	Plug seal for EPDM	1	7381033						7008673		
83	Plug seal for. FKM FP75	1	7381044						7380889		
83	Plug seal for. FKM P113	1	7381044						7380889		
83	Plug seal for. HNBR	1	7381113						7191026		
84	Seal support plate ring	2	7009973						7009968		
85	Seal support plate for balanced DCX4	1	7303711						7303709		
86	Plug for balanced DCX4	1	7303710		7303708				7303702		
87	Balanced DCX4 protection plate	1	7303731						7303721		
88	H screw for protection plate	1	7006981								
89	Washer for protection plate	1	7006982								
90A	Steam bearing connection blue seal	2	7009104								
90B	Steam bearing connection red seal	2	7008908								
91	DCX3/4 aseptic bearing + cooling lantern	1	7301309						7811497		
92	DCX3/4 aseptic bearing + cooling lantern (3A)	1	7302804						7302227		

6.24 LIST OF PARTS FOR DN 63 TO 150 DCX3/4 AUTOMATIC VALVES

Guide	Description	Qty	DN2"1/2 US	DN63 SMS	DN65 DIN	DN3" US	DN76 SMS	DN80 DIN	DN80 ACT.104	DN4" US	DN104 SMS	DN125 DIN	DN150 DIN
01	DCX3 valve body	1	Depending on body configuration										
02	DCX3 standard and aseptic seat valve plug	1	7005651		7005667	7005601		7301953	7005560	7005528		7300403	7300414
03	DCX4 standard and aseptic seat valve plug	1	7005657	7005656	7005672	7005609	7005604	7301954	7005566	7005533	7005536	7300415	7300416
04	Metal/Metal Plug	1	7300213		7300209				7300205				
05	DCX3 diaphragm Plug	1	7300057		7300058	7300059		7301955	7300060	7300061		7300730	
06	DCX4 diaphragm Plug	1	7300262	7300261	7300263	7300266	7300265	7301956	7300267	7300269	7300268	7300731	
07	Plate elastomer seal plug	1	7300078		7301958		7300079	7300080		7300404		7300405	
08	DCX3 plug elastomer seal	1	7300072		7300073	7300074		7301957	7300075	7300076		7300409	7300410
09	DCX4 elastomer seal double plug	1	7300159		7300162	7300163		7301962	7300160	7300161			
10	DCX3 elastomer seal monobloc plug	1	7303851		7303852	7303853		7303854	7303855		7303856	7303857	
11	DCX4 elastomer seal monobloc plug	1	7303880	7303887	7303888	7303881	7303889	7303890	7303882		7303891	7303892	7303893
12	DCX3 diaphragm elastomer seal monobloc plug	1	7303870		7303871	7303872		7303873	7303874		7303875	7303876	
13	DCX4 diaphragm elastomer seal monobloc plug	1	7303914	7303898	7303899	7303915	7303900	7303901	7303916		7303902	7303903	7303904
14	DCX3 long-stroke elastomer seal monobloc plug	1	7303860		7303861		7303862	7303855		7303864	7303865		
15	DCX4 long-stroke elastomer seal monobloc plug	1	7304206	7304212	7304213	7304207	7304214	7304215	7304208		7304216	7304217	7304218
16	DCX4 elastomer seal valve intermediate stem	1	7300149	7300148	7300150	7300152	7300151	7301961	7300153	7300156	7300155		
17	DCX3/4 diaphragm valve washer	1	7005458		7300264		7300270		7005457		7300728		
18	DCX4 diaphragm valve intermediate piece	1	7301448		7302800		7301472		7302801		7301473		
19	DCX4 body	1	Depending on body configuration										
20	Lantern for DCX3/4 standard valve	1	7301494		7301593		7301495		7301594		7301496		
21	Lantern for DCX3 long-stroke valve	1	7005596		7005595		7005530		7005531		7300401		
22	Lantern for DCX3/4 aseptic seat valve	1	7006164		7381043		7006183		7006216		7006129		
23	Lantern for DCX3/4 DA (double-acting) valve	1	7010810		7381043		7006063		7006184		7381091		
24	DCX3/4 stem/piston assembly	1	7300324		7301296		7301300		7301300		7301300		
25	DCX3/4 actuator body	1	7441833		7441837		7441838		7441838		7441838		
26	Seal support plate O-ring EPDM	1-2	7005156		7301963		7140038	7005291		7300341	7300342		
26	Seal support plate O-ring FKM FP75	1-2	7006193		7006002		7006008	7006162		7006183	7006199		
26	Seal support plate O-ring FKM P113	1-2	7380914		7380915		7381054	7010787		7381043	7380866		
26	Seal support plate O-ring VMQ	1-2	7380609		7380601		7380606	7006136		7006063	7006121		
26	Seal support plate O-ring HNBR	1-2	7006057		7006181		7006083	7006198		7381099		7381100	
27	Actuator body for DCX3 long-stroke valve	1	7381074		7381073		7381107	7381107		7381099	7381100		
28	Clamp collar	1-2	7380179		7380899		7006160		7010881		7380617		
29	Plug seal for DCX3/4 PFA	1-2	7380620		7006035		7006589		7381092		7010261		
30	Elastomer plug O-ring EPDM	1-2	7191024		7300972		7006034		7006034		7010261		
30	Elastomer plug O-ring FKM FP75	1-2	7007770		7007770		7007771		7007771		7007772		
30	Elastomer plug O-ring FKM P113	1-2	7006693		7006693		7006694		7006694		7006650		
30	Elastomer plug O-ring VMQ	1-2	7007419		7007419		7007419		7007419		7007426		
30	Elastomer plug O-ring HNBR	1-2	7007419		7007419		7007419		7007419		7007426		
31	Seal support plate O-ring EPDM	1	7380179		7380899		7006160		7010881		7380617		
31	Seal support plate O-ring FKM FP75	1	7380620		7006035		7006589		7381092		7010261		
31	Seal support plate O-ring FKM P113	1	7191024		7300972		7006034		7006034		7010261		
31	Seal support plate O-ring VMQ	1	7007770		7007770		7007771		7007771		7007772		
31	Seal support plate O-ring HNBR	1	7006693		7006693		7006694		7006694		7006650		
32	Lantern, of body and seal support plate ring	3-4	7009972		7006030		7009973		7006034		7010261		
33	Seal support plate scraper seal	1	7006030		7006030		7009973		7006034		7010261		
34	Adjustable male elbow	1-2	7010116		7010116		7010116		7010116		7010116		
35	Holding plate TH screw	4-5	7380356		7300248		7300250		7006722		7006722		
36	Holding plate	1	7300248		7007770		7007771		7006694		7006650		
37	Stainless steel snap-ring	1	7007770		7007770		7007771		7006694		7006650		
38	Diaphragm PTFE DCX3/4	1	7006693		7006693		7006694		7006694		7006650		
39	DCX diaphragm valve spring washer	2	7007419		7007419		7007419		7007419		7007426		

40	Diaphragm seal support plate ring	1						7009988			7010166			7009951	
41	Steam bearing straight connector	2							7008951						
42	Lantern and body O-ring NBR	1-2						7380152					7380802		
42E	Lantern O-ring EPDM (aseptic)	1-2						7380179					7006160		
42F	Lantern and actuator body O-ring FKM P113	2						7380620					7380617		
43	Lantern O-ring NBR	1						7006118				7006049		7006001	
43	Lantern O-ring 4 MM NBR	1												7011100	
43b	Lantern O-ring FKM (aseptic bearing)	1						7006259				7006260		7011014	
44	Piston Torque seal NBR	1						7006101				7006137		7006107	
44	Piston O-ring FKM (aseptic seat)	1						7006284				7006418		7011015	
45	Standard actuator spring (Small)	1						7007726				7007761		7007825	
46	Standard actuator spring (Large)	1						7007760				7007762		7007777	
47	Pierced plastic cap	1							7002496						
48	SKIFFY cap	2							7009954						
49	Actuator stem spring	1						7006797					7006796		
50	Actuator stem TH screw	1						7006814					7006815		
51	Stem/piston assembly for DCX3 long-stroke valve	1						7300322				7301295		7301302	
52	Plug for DCX3 long-stroke valve	1						7300320	7302079	7300087		7304065			
53	Shim for DCX4 NC or DA diaphragm valve	1						7300426							
54	Intermediate part for DCX3 diaphragm valve	1						7300064				7300065		7300728	
55	Plug for DCX3 aseptic seat valve (Version 3A)	1	7300814									7300815		7300819	
56	Lantern for DCX3/4 aseptic seat valve (Version 3A)	1						7300811					7302599		
57	Plastic indicator (aseptic version 3A)	1						7300810					7300900		
58	Shim for NO DCX4 diaphragm valve	1	7301370	7301371				7301373		7301372					
59	Seal support plate for DCX3/4 standard valve	1						7301449				7301476		7301477	
60	Seal support plate for DCX3/4 alcohol barrier valve	1						7301978				7301979		7301891	
61	Seal support plate for DCX3/4 aseptic bearing valve	1						7301451				7301484		7301485	
62	Seal support plate O-ring for aseptic bearing valve	1						7006038					7006441		
63	Aseptic seat extension	2							7009080						
64	Seal support plate for DCX3/4 diaphragm valve	1						7301535				7301536		7301769	
65	Seal support plate O-ring, with leak collector EPDM	1						7006235				7006008		7006256	
65	Seal support plate O-ring, with leak collector FKM	1						7010801				7381054		7381055	
65	Seal support plate O-ring, with leak collector FKM	1						7006130				7380606		7011029	
65	Seal support plate O-ring, with leak collector VMQ	1						7006152				7006226		7011013	
65	Seal support plate O-ring, with leak collector HNBR	1						7006414				7381107		7381109	
66	Leak collector extension	2							7009107						
67	DCX3/4 stem/piston assembly aseptic seat	1						7303192				7302162		7303194	
68	Long-stroke valve actuator spring (Small)	1						7007726				7007761		7007825	
69	Long-stroke valve actuator spring (large)	1						7007899				7007762		7007777	
70	Intermediate part for DCX4 alcohol diaphragm valve	1						7302181							
71	Intermediate part for DCX3 alcohol diaphragm valve	1							7301980			7301981		7301892	
72	Alcohol diaphragm extension	2						7009150							
73	Aseptic lantern ring	1						7010656				7009973		7010261	
74	Stem/piston assembly for DCX3 relief 3 functions	1						7811078				7813615			
75	Actuator body for DCX3 relief 3 functions	1						7811076				7813613			
76	Piston for DCX3 relief 3 functions	1						7811080				7813614			
77	Seal support plate for DCX4 long-stroke valve	1						7302276				7302769		7302768	
78	Plug for DCX4 long-stroke valve	1	7301346	7302764	7302765	7300945	7302621	7302766				7302778	7302776	7302779	7302782
79	Stem/piston assembly for balanced DCX4	1						7303694				7303719			
80	Lantern for balanced DCX4	1						7303713				7303714			
81	Balanced DCX4 fastening plate	1						7300248				7300250			
82	H screw for balanced DCX4 fastening plate	5						7380356				7006722			
83	Plug seal for EPDM	1						7008674				7008675			
83	Plug seal for FKM FP75	1						7380877				7380903			
83	Plug seal for FKM P113	1						7380877				7380903			
83	Plug seal for HNBR	1						7191030				7381112			
84	Seal support plate ring	2						7010133				7010137			
85	Seal support plate for balanced DCX4	1						7303693				7303698			
86	Plug for balanced DCX4	1						7303692		7303695		7303699			
87	Balanced DCX4 protection plate	1						7303722				7303727			
88	H screw for protection plate	1						7006981				7006981			
89	Washer for protection plate	1						7006982				7006982			
90A	Steam bearing connection blue seal	2							7009104						
90B	Steam bearing connection red seal	2							7008908						
91	DCX3/4 aseptic bearing + cooling lantern	1						7301310							
92	DCX3/4 aseptic bearing + cooling lantern (3A)	1						7302235				7302805			

6.25 LIST OF ACTUATORS FOR DCX AUTOMATIC SHUT-OFF AND DIVERT VALVES

Ref.	Description	Qty	DN25/40	DN50/51	DN63/76	DN80	DN80 ACT.104 DN104	DN125/150
150	Actuator for DCX3/4 standard and diaphragm valve	1	7100300	7100301	7100302		7100303	7100486
151	Actuator for DCX3 long-stroke valve	1	7100477	7100478	7100479		7100480	7100636
152	Actuator for DCX3/4 aseptic seat and alcohol diaphragm valve	1	7100487	7100488	7100489		7100490	7100684
153	Actuator for DCX3/4 aseptic seat valve (certified 3A)	1	7100736	7100713	7100779		7101187	
154	Actuator for DCX3/4 standard DA (double acting) valve	1	7100491	7100492	7100493		7100494	
155	Actuator for DCX3 relief 3 functions	1	7100527	7100616	7100528		7101204	
156	Actuator for DCX4 balanced	1	7101238	7101237	7101235		7101236	
157	Actuator for DCX3/4 aseptic bearing + cooling valve	1	7100641	7100614	7100642			
158	Actuator for DCX3 aseptic bearing + cooling valve (certified 3A)	1	7101207	7100777	7100778		7101208	

6.26 LIST OF REFERENCES OF SEAL KITS FOR DCX3/4 AUTOMATIC VALVES

DESCRIPTION		DN 25-40	DN 50-51	DN 63-76	DN 80	DN80 ACT.104	DN 100-104	DN 125	DN 150		
For details of kit A see following chapter	1	Actuator seal kit for DCX3/4 standard, long-stroke & DA valves, balanced		7070600	7070601	7070602	7070603	7070800			
		Actuator seal kit for DN125-150 DCX3/4 standard 4MM						7071327			
	2	Actuator seal kit for DCX3/4 for aseptic seat valve		7070536	7070537	7070538	7070539	7070540			
		Actuator seal kit for DN125-150 DCX3/4 standard 4MM						7071328			
For details of kit B see following chapter	1	PFA/EPDM seal kit for DCX3 standard valve (Complete)		7070608	7070609	7070610	7070998	7070550	7070611	7070801	7070804
	2	PFA/FKM FP75 seal kit for DCX3 standard valve (Complete)		7070624	7070625	7070626	7070999	7070551	7070627	7070802	7070805
	3	PFA/FKM P113 seal kit for DCX3 standard valve (Complete)		7072058	7072059	7072060	7072086	7072043	7072061	7072071	7072072
	4	PFA/VMQ seal kit for DCX3 standard valve (Complete)		7070628	7070629	7070630	7071000	7070552	7070631		
	5	PFA/HNBR seal kit for DCX3 standard valve (Complete)		7072168	7072169	7072170	7072188	7072189	7072171	7072172	7072190
For details of kit C see following chapter	1	EPDM seal kit for DCX3 standard valve (Without PFA seal)		7070612	7070613	7070614		7070615		7070807	
	2	FKM FP75 seal kit for DCX3 standard valve (Without PFA seal)		7070616	7070617	7070618		7070619		7070808	
	3	FKM P113 seal kit for DCX3 standard valve (Without PFA seal)		7072054	7072055	7072056		7072057		7072073	
	4	VMQ seal kit for DCX3 standard valve (Without PFA seal)		7070620	7070621	7070622		7070623			
	5	HNBR seal kit for DCX3 standard valve (Without PFA seal)		7072173	7072174	7072175		7072176		7072177	
For details of kit D see following chapter	1	PFA/diaphragm/EPDM seal kit for DCX3 diaphragm and alcohol barrier valve		7070831	7070832	7070833	7071010	7070834	7070835	7070836	7070858
For details of kit E see following chapter	1	PFA/EPDM seal kit for DCX3 aseptic seat valve		7070561	7070562	7070563	7071016	7070564	7070565	7070854	7070855
	2	PFA/EPDM seal kit for DCX3 aseptic seat valve (Certified 3A)		7070849	7070850	7070851		7070852	7070853		
For details of kit F see following chapter	1	EPDM seal kit for DCX3 elastomer seal valve		7070566	7070567	7070568	7071004	7070569	7070570	7071201	7071202
	2	FKM FP75 seal kit for DCX3 elastomer seal valve		7070571	7070572	7070573	7071005	7070574	7070575	7071203	7071204
	3	FKM P113 seal kit for DCX3 elastomer seal valve		7072045	7072046	7072047	7072088	7072048	7072049	7072092	7072093
	4	VMQ seal kit for DCX3 elastomer seal valve		7070576	7070577	7070578	7071006	7070579	7070580	7071205	7071206
	5	HNBR seal kit for DCX3 elastomer seal valve		7072265	7072266	7072267	7072268	7072269	7072270	7072271	7072272
For details of kit G see following chapter	1	PFA/EPDM seal kit for DCX4 standard valve (Complete)		7070604	7070605	7070606	7071001	7070553	7070607	7070812	7070815
	2	PFA/FKM FP75 seal kit for DCX4 standard valve (Complete)		7070644	7070645	7070646	7071002	7070554	7070647	7070813	7070816
	3	PFA/FKM P113 seal kit for DCX4 standard valve (Complete)		7072066	7072067	7072068	7072087	7072044	7072069	7072074	7072075
	4	PFA/VMQ seal kit for DCX4 standard valve (Complete)		7070648	7070649	7070650	7071003	7070555	7070651		
	5	PFA/HNBR seal kit for DCX4 standard valve (Complete)		7072178	7072179	7072180	7072191	7072192	7072181	7072182	7072193
For details of kit H see following chapter	1	EPDM seal kit for DCX4 standard valve (Without PFA seal)		7070632	7070633	7070634		7070635		7070818	
	2	FKM FP75 seal kit for DCX4 standard valve (Without PFA seal)		7070636	7070637	7070638		7070639		7070819	
	3	FKM P113 seal kit for DCX4 standard valve (Without PFA seal)		7072062	7072063	7072064		7072065		7072076	
	4	VMQ seal kit for DCX4 standard valve (Without PFA seal)		7070640	7070641	7070642		7070643			
	5	HNBR seal kit for DCX4 standard valve (Without PFA seal)		7072183	7072184	7072185		7072186		7072187	
For details of kit I see following chapter	1	PFA/diaphragm/EPDM seal kit for DCX4 diaphragm and alcohol barrier valve		7070880	7070881	7070882	7071013	7070883	7070884	7070885	7070865
	2	PFA/diaphragm/FKM FP75 seal kit for DCX4 diaphragm and alcohol barrier valve		7070886	7070887	7070888	7071014	7070889	7070890	7070891	7070878
	3	PFA/diaphragm/FKM P113 seal kit for DCX4 diaphragm and alcohol barrier valve		7072080	7072081	7072082	7072091	7072083	7072084	7072085	7072079
	4	PFA/diaphragm/VMQ seal kit for DCX4 diaphragm and alcohol barrier valve		7070892	7070893	7070894	7071015	7070895	7070896		
	5	PFA/diaphragm/HNBR seal kit for DCX4 diaphragm and alcohol barrier valve		7072273	7072274	7072275	7072276	7072277	7072278	7072279	7072280

For details of kit J see following chapter	1	PFA/EPDM seal kit for DCX4 aseptic seat valve	7070506	7070507	7070508	7071017	7070509	7070510	7070856	7070857
For details of kit K see following chapter	1	EPDM seal kit for DCX4 elastomer seal valve	7070511	7070512	7070513	7071007	7070514	7070515		
	2	FKM FP75 seal kit for DCX4 elastomer seal valve	7070516	7070517	7070518	7071008		7070520		
	3	FKM P113 seal kit for DCX4 elastomer seal valve	7072039	7072040	7072041	7072089	7070519	7072042		
	4	VMQ seal kit for DCX4 elastomer seal valve	7070521	7070522	7070523	7071009	7070524	7070525		
	5	HNBR seal kit for DCX4 elastomer seal valve	7072281	7072282	7072283	7072284	7072285	7072286		
For details of kit L see following chapter	1	PFA/EPDM seal kit for balanced DCX4	7071656	7071601	7071602	7071603		7071604		
	2	PFA/FKM FP75 seal kit for balanced DCX4	7071657	7071658	7071659	7071660		7071661		
	3	PFA/FKM P113 seal kit for balanced DCX4	7072095	7072096	7072097	7072098		7072099		
	4	PFA/HNBR seal kit for balanced DCX4	7072287	7072288	7072289	7072290		7072291		
For details of kit M see following chapter	1	Diaphragm/EPDM seal kit for DCX3 elastomer seal valve	7071037	7071038	7071039	7071040		7071041	7072450	7072451
	2	Diaphragm/FKM FP75 seal kit for DCX3 elastomer seal valve		7071043	7071044	7071045		7071046	7072452	7072453
	3	Diaphragm/FKM P113 seal kit for DCX3 elastomer seal valve	7071042	7072296	7072297	7072298		7072299	7072454	7072455
	4	Diaphragm/VMQ seal kit for DCX3 elastomer seal valve	7071047	7071048	7071049	7071050		7071051		
	5	Diaphragm/HNBR seal kit for DCX3 elastomer seal valve	7072314	7072315	7072316	7072317		7072319	7072456	7072457
For details of kit N see following chapter	1	Diaphragm/EPDM seal kit for DCX4 elastomer seal valve	7071865	7071866	7071867	7071868		7071869	7072458	7072459
	2	Diaphragm/FKM FP75 seal kit for DCX4 elastomer seal valve		7071871	7071872	7071873		7071874	7072460	7072461
	3	Diaphragm/FKM P113 seal kit for DCX4 elastomer seal valve	7071870	7072331	7072332	7072333		7072334	7072462	7072463
	4	Diaphragm/VMQ seal kit for DCX4 elastomer seal valve	7071875	7071876	7071877	7071878		7071879		
	5	Diaphragm/HNBR seal kit for DCX4 elastomer seal valve	70702335	7072336	7072337	7072338		7072339	7072464	7072465

6.26.1 DETAILS OF SEAL SETS FOR DCX3/4 VALVES

NBR actuator seal sets for DCX3/4 standard, long-stroke & double-acting valves:

A1	Diameter	DN25-38 SMS	DN51 SMS	DN63-76 SMS					
		DN25-40 DIN	DN50 DIN	DN65 DIN	DN80 DIN	DN80 ACT.104-104 SMS 100 DIN	DN125-150 DIN	DN125-150 DIN (4MM)	
		DN1"-1"1/2 US	DN2" US	DN3" US		DN4" US	DN6" US		
Kit No.		7070600	7070601	7070602		7070603	7070800	7071327	
Guide	Description	Qty	Seal reference						
32	Lantern and actuator body ring	2	7009993	7009972		7009973	7010261		
42	Lantern and actuator body O-ring NBR	2	7380808	7380152		7380802			
43	Lantern O-ring NBR	1	7380176	7380160	7006118	7006049	7006001		
43	Lantern O-ring 4MM NBR	1							7011100
44	Piston Torque seal NBR	1	7380316	7380161	7006101	7006137	7006107		

FKM/EPDM actuator seal kits for DCX3/4 aseptic seat valves:

A2	Diameter		DN25-38 SMS	DN51 SMS	DN63-76 SMS				
			DN25-40 DIN	DN50 DIN	DN65 DIN	DN80 DIN	DN80 ACT.104-104 SMS 100 DIN	DN125-150 DIN	DN125-150 DIN (4MM)
			DN1"-1"1/2 US	DN2" US	DN3" US		DN4" US	DN6" US	
Kit No.			7070536	7070537	7070538		7070539	7070540	7071328
Guide	Description	Qty	Seal reference						
32	Actuator body ring	1	7009993	7009972			7009973	7010261	
42E	Lantern O-ring EPDM (steam side)	1	7380137	7380179				7006160	
42F	Lantern and actuator body O-ring FKM P113	2	7006157	7380620				7380617	
43	Lantern O-ring 4 MM NBR	1							7011100
43b	Lantern O-ring FKM (aseptic seat)		7380178	7030412	7006259		7006260	7011014	
44	Piston O-ring FKM (except DN104/125/150)	1	7380601	7006186	7006284		7006418	7006107	
73	Aseptic lantern ring	1	7010655	7010656			7009973	7010261	

FKM actuator seal kits for DCX3/4 aseptic seat valves (certified 3A):

A3	Diameter		DN25-38 SMS	DN51 SMS	DN63-76 SMS			
			DN25-40 DIN	DN50 DIN	DN65 DIN	DN80 DIN	DN80 ACT.104-104 SMS 100 DIN	DN125-150 DIN
			DN1"-1"1/2 US	DN2" US	DN3" US		DN4" US	DN6" US
Kit No.			7070860	7070861	7070862		7070863	
Guide	Description	Qty	Seal reference					
32	Actuator body ring	2	7009993	7009972			7009973	
42F	Lantern and actuator body O-ring FKM P113	2	7006157	7380620			7380617	
43b	Lantern O-ring FKM	1	7380178	7030412	7006259		7006260	
44	Piston O-ring FKM	1	7380601	7006186	7006284		7006418	

NBR actuator seal sets for DCX3 relief 3 functions:

A4	Diameter		DN25-38 SMS	DN51 SMS	DN63-76 SMS		
			DN25-40 DIN	DN50 DIN	DN65 DIN	DN80 DIN	DN80 ACT.104-104 SMS 100 DIN
			DN1"-1"1/2 US	DN2" US	DN3" US		DN4" US
Kit No.			7071334	7071335	7071336		7071337
Guide	Description	Qty	Seal reference				
32	Lantern and piston and actuator body ring	3	7009993	7009972			7009973
42	Lantern and piston and actuator body O-ring NBR	3	7380808	7380152			7380802
43	Lantern O-ring NBR	1	7380176	7380160	7006118		7006049
44	Piston Torque seal and piston seal NBR	2	7380316	7380161	7006101		7006137

PFA/EPDM valve seal kits for DCX3 standard valves (Complete):

B1	Diameter	DN25-38 SMS	DN51 SMS	DN63-76 SMS					
		DN25-40 DIN	DN50 DIN	DN65 DIN	DN80 DIN	DN80 ACT.104	104 SMS 100 DIN	DN125 DIN	DN150 DIN
		DN1"-1"1-2 US	DN2" US	DN3" US			DN4" US		DN6" US
Kit No.		7070608	7070609	7070610	7070998	7070550	7070611	7070801	7070804
Guide	Description	Qty	Seal reference						
26	Seal support plate O-ring EPDM	1	7380158	7380159	7006164		7006183		7006216
29	DCX3/4 plug seal PFA	1	7005138	7005147	7005156	7301963	7140038	7005291	7300341 7300342
31	Seal support plate O-ring EPDM	1	7380137	7380179			7006160		
32	Seal support plate ring.	2	7009993	7009972			7009973		
33	Seal support plate scraper seal	1	7006147	7006030			7006034		

PFA/FKM FP75 valve seals for DCX3 standard valves (Complete):

B2	Diameter	DN25-38 SMS	DN51 SMS	DN63-76 SMS					
		DN25-40 DIN	DN50 DIN	DN65 DIN	DN80 DIN	DN80 ACT.104	104 SMS 100 DIN	DN125 DIN	DN150 DIN
		DN1"-1"1-2 US	DN2" US	DN3" US			DN4" US		DN6" US
Kit No.		7070624	7070625	7070626	7070999	7070551	7070627	7070802	7070805
Guide	Description	Qty	Seal reference						
26	Seal support plate O-ring FKM FP75	1	7010808	7010801	7010810		7381043		7013688
29	DCX3/4 plug seal PFA	1	7005138	7005147	7005156	7301963	7140038	7005291	7300341 7300342
31	Seal support plate O-ring FKM FP75	1	7010806	7380899			7010881		
32	Seal support plate ring.	2	7009993	7009972			7009973		
33	Seal support plate scraper seal	1	7006147	7006030			7006034		

PFA/FKM P113 valve seals for DCX3 standard valves (Complete):

B3	Diameter	DN25-38 SMS	DN51 SMS	DN63-76 SMS					
		DN25-40 DIN	DN50 DIN	DN65 DIN	DN80 DIN	DN80 ACT.104	104 SMS 100 DIN	DN125 DIN	DN150 DIN
		DN1"-1"1-2 US	DN2" US	DN3" US			DN4" US		DN6" US
Kit No.		7072058	7072059	7072060	7072086	7072043	7072061	7072071	7072072
Guide	Description	Qty	Seal reference						
26	Seal support plate O-ring FKM P113	1	7380607	7006130	7006131		7006063		7006129
29	DCX3/4 plug seal PFA	1	7005138	7005147	7005156	7301963	7140038	7005291	7300341 7300342
31	Seal support plate O-ring FKM P113	1	7006157	7380620			7380617		
32	Seal support plate ring.	2	7009993	7009972			7009973		
33	Seal support plate scraper seal	1	7006147	7006030			7006034		

PFA/VMQ valve seals for DCX3 standard valves (Complete):

B4	Diameter	DN25-38 SMS	DN51 SMS	DN63-76 SMS					
		DN25-40 DIN	DN50 DIN	DN65 DIN	DN80 DIN	DN80 ACT.104	104 SMS 100 DIN	DN125 DIN	DN150 DIN
		DN1"-1"1-2 US	DN2" US	DN3" US			DN4" US		DN6" US
Kit No.		7070628	7070629	7070630	7071000	7070552	7070631		
Guide	Description	Qty	Seal reference						
26	Seal support plate O-ring VMQ	1	7006171	7006175	7006180		7006184		
29	DCX3/4 plug seal PFA	1	7005138	7005147	7005156	7301963	7140038	7005291	
31	Seal support plate O-ring VMQ	1	7006170	7006035			7006589		
32	Seal support plate ring.	2	7009993	7009972			7009973		
33	Seal support plate scraper seal	1	7006147	7006030			7006034		

PFA/HNBR valve seals for DCX3 standard valves (Complete):

B5	Diameter	DN25-38 SMS	DN51 SMS	DN63-76 SMS					
		DN25-40 DIN	DN50 DIN	DN65 DIN	DN80 DIN	DN80 ACT.104	104 SMS 100 DIN	DN125 DIN	DN150 DIN
		DN1"-1"1-2 US	DN2" US	DN3" US			DN4" US		DN6" US
Kit No.		7072168	7072169	7072170	7072188	7072189	7072171	7072172	7072190
Guide	Description	Qty	Seal reference						
26	Seal support plate O-ring. HNBR	1	7381072	7006414	7191024		7381090		7381091
29	DCX3/4 plug seal PFA	1	7005138	7005147	7005156	7301963	7140038	7005291	7300341 7300342
31	Seal support plate O-ring. HNBR	1	7381076	7191035			7381092		
32	Seal support plate ring.	2	7009993	7009972			7009973		
33	Seal support plate scraper seal	1	7006147	7006030			7006034		

EPDM valve seal kits for DCX3 standard valves (Without PFA seal):

C1	Diameter	DN25-38 SMS	DN51 SMS	DN63-76 SMS					
		DN25-40 DIN	DN50 DIN	DN65 DIN	DN80 DIN	DN80 ACT.104	104 SMS 100 DIN	DN125 DIN	DN150 DIN
		DN1"-1"1-2 US	DN2" US	DN3" US			DN4" US		DN6" US
Kit No.		7070612	7070613	7070614	7070615		7070807		
Guide	Description	Qty	Seal reference						
26	Seal support plate O-ring EPDM	1	7380158	7380159	7006164	7006183		7006216	
31	Seal support plate O-ring EPDM	1	7380137	7380179		7006160			
32	Seal support plate ring.	2	7009993	7009972		7009973			
33	Seal support plate scraper seal	1	7006147	7006030		7006034			

FKM FP75 valve seal kits for DCX3 valves (Without PFA seal):

C2	Diameter	DN25-38 SMS	DN51 SMS	DN63-76 SMS					
		DN25-40 DIN	DN50 DIN	DN65 DIN	DN80 DIN	DN80 ACT.104	104 SMS 100 DIN	DN125 DIN	DN150 DIN
		DN1"-1"1-2 US	DN2" US	DN3" US			DN4" US		DN6" US
Kit No.		7070616	7070617	7070618	7070619		7070808		
Guide	Description	Qty	Seal reference						
26	Seal support plate O-ring FKM FP75	1	7010808	7010801	7010810	7381043		7013688	
31	Seal support plate O-ring FKM FP75	1	7010806	7380899		7010881			
32	Seal support plate ring.	2	7009993	7009972		7009973			
33	Seal support plate scraper seal	1	7006147	7006030		7006034			

FKM P113 valve seal kits for DCX3 valves (Without PFA seal):

C3	Diameter	DN25-38 SMS	DN51 SMS	DN63-76 SMS					
		DN25-40 DIN	DN50 DIN	DN65 DIN	DN80 DIN	DN80 ACT.104	104 SMS 100 DIN	DN125 DIN	DN150 DIN
		DN1"-1"1-2 US	DN2" US	DN3" US			DN4" US		DN6" US
Kit No.		7072054	7072055	7072056	7072057		7072073		
Guide	Description	Qty	Seal reference						
26	Seal support plate O-ring FKM P113	1	7380607	7006130	7006131	7006063		7006129	
31	Seal support plate O-ring FKM P113	1	7006157	7380620		7380617			
32	Seal support plate ring.	2	7009993	7009972		7009973			
33	Seal support plate scraper seal	1	7006147	7006030		7006034			

VMQ valve seal kits for DCX3 valves (Without PFA seal):

C4	Diameter	DN25-38 SMS	DN51 SMS	DN63-76 SMS					
		DN25-40 DIN	DN50 DIN	DN65 DIN	DN80 DIN	DN80 ACT.104	104 SMS 100 DIN	DN125 DIN	DN150 DIN
		DN1"-1"1-2 US	DN2" US	DN3" US			DN4" US		DN6" US
Kit No.		7070620	7070621	7070622	7070623				
Guide	Description	Qty	Seal reference						
26	Seal support plate O-ring VMQ	1	7006171	7006175	7006180	7006184			
31	Seal support plate O-ring VMQ	1	7006170	7006035		7006589			
32	Seal support plate ring.	2	7009993	7009972		7009973			
33	Seal support plate scraper seal	1	7006147	7006030		7006034			

HNBR valve seal kits for **DCX3 valves** (Without **PFA** seal):

C5	Diameter		DN25-38 SMS	DN51 SMS	DN63-76 SMS					
			DN25-40 DIN	DN50 DIN	DN65 DIN	DN80 DIN	DN80 ACT.104	104 SMS 100 DIN	DN125 DIN	DN150 DIN
			DN1"-1"1-2 US	DN2" US	DN3" US			DN4" US		DN6" US
Kit No.			7072173	7072174	7072175	7072176		7072177		
Guide	Description	Qty	Seal reference							
26	Seal support plate O-ring. HNBR	1	7381072	7006414	7191024	7381090		7381091		
31	Seal support plate O-ring. HNBR	1	7381076	7191035		7381092				
32	Seal support plate ring.	2	7009993	7009972		7009973				
33	Seal support plate scraper seal	1	7006147	7006030		7006034				

PFA/diaphragm/EPDM valve seal kits for DCX3 diaphragm and alcohol barrier diaphragm valves:

D1	Diameter	DN25-38 SMS	DN51 SMS	DN63-76 SMS						
		DN25-40 DIN	DN50 DIN	DN65 DIN	DN80 DIN	DN80 ACT.104	104 SMS 100 DIN	DN125 DIN	DN150 DIN	
		DN1"-1"1/2 US	DN2" US	DN3" US			DN4" US		DN6" US	
Kit No.		7070831	7070832	7070833	7071010	7070834	7070835	7070836	7070858	
Guide	Description	Qty	Seal reference							
29	DCX3/4 plug seal PFA	1	7005138	7005147	7005156	7301963	7140038	7005291	7300341	7300342
38	Diaphragm PTFE	1	7006691	7006692	7006693		7006694		7006650	
39	Spring washer	2	7007425	7007419			7007426			
40	Diaphragm seal support plate ring	1	7003558	7009962	7009988		7010166		7009951	
65	Seal support plate with leak collector O-ring EPDM	1	7006145	7006038	7006235		7006008		7006256	

PFA/EPDM valve seal kits for DCX3 aseptic seat valves:

E1	Diameter	DN25-38 SMS	DN51 SMS	DN63-76 SMS						
		DN25-40 DIN	DN50 DIN	DN65 DIN	DN80 DIN	DN80 ACT.104	104 SMS 100 DIN	DN125 DIN	DN150 DIN	
		DN1"-1"1/2 US	DN2" US	DN3" US			DN4" US		DN6" US	
Kit No.		7070561	7070562	7070563	7071016	7070564	7070565	7070854	7070855	
Guide	Description	Qty	Seal reference							
26	Seal support plate O-ring EPDM	1	7380158	7380159	7006164		7006183		7006216	
29	DCX3/4 plug seal PFA	1	7005138	7005147	7005156	7301963	7140038	7005291	7300341	7300342
25	Seal support plate O-ring EPDM	1	7380137	7380179			7006160			
32	Seal support plate ring.	1	7009993	7009972			7009973			
62	Seal support plate O-ring EPDM	1	7006145	7006038			7006441			

PFA/EPDM valve seal kits for DCX3 aseptic seat valves (Certified 3A):

E2	Diameter	DN25-38 SMS	DN51 SMS	DN63-76 SMS						
		DN25-40 DIN	DN50 DIN	DN65 DIN	DN80 DIN	DN80 ACT.104	104 SMS 100 DIN	DN125 DIN	DN150 DIN	
		DN1"-1"1/2 US	DN2" US	DN3" US			DN4" US		DN6" US	
Kit No.		7070849	7070850	7070851	7071109	7070852	7070853			
Guide	Description	Qty	Seal reference							
26	Lantern O-ring EPDM	1	7380158	7380159	7006164		7006183			
29	DCX3/4 plug seal PFA	1	7005138	7005147	7005156	7301963	7140038	7005291		
32	Lantern ring	1	7009993	7009972			7009973			
42E	Lantern O-ring EPDM	2	7380137	7380179			7006160			

EPDM valve seal kits for DCX3 elastomer seal valves:

F1	Diameter	DN25-38 SMS	DN51 SMS	DN63-76 SMS					
		DN25-40 DIN	DN50 DIN	DN65 DIN	DN80 DIN	DN80 ACT.104	104 SMS 100 DIN	DN125 DIN	DN150 DIN
		DN1"-1"1/2 US	DN2" US	DN3" US			DN4" US		DN6" US
Kit No.		7070566	7070567	7070568	7071004	7070569	7070570	7071201	7071202
Guide	Description	Qty	Seal reference						
26	Seal support plate O-ring EPDM	1	7380158	7380159	7006164		7006183		7006216
30	DCX3/4 plug O-ring EPDM	1	7006174	7380158	7006193	7006002	7006008	7006162	7006183 7006199
31	Seal support plate O-ring EPDM	1	7380137	7380179			7006160		
32	Seal support plate ring.	2	7009993	7009972			7009973		7010261
33	Seal support plate scraper seal	1	7006147	7006030			7006034		

FKM FP75 valve seal kits for DCX3 elastomer seal valves:

F2	Diameter	DN25-38 SMS	DN51 SMS	DN63-76 SMS					
		DN25-40 DIN	DN50 DIN	DN65 DIN	DN80 DIN	DN80 ACT.104	104 SMS 100 DIN	DN125 DIN	DN150 DIN
		DN1"-1"1/2 US	DN2" US	DN3" US			DN4" US		DN6" US
Kit No.		7070571	7070572	7070573	7071005	7070574	7070575	7071203	7071204
Guide	Description	Qty	Seal reference						
26	Seal support plate O-ring FKM FP75	1	7010808	7010801	7010810		7381043		7013688
30	DCX3/4 plug O-ring FKM FP75	1	7380913	7010808	7380914	7380915	7381054	7010787	7381043 7380866
31	Seal support plate O-ring FKM FP75	1	7010806	7380899			7010881		
32	Seal support plate ring.	2	7009993	7009972			7009973		7010261
33	Seal support plate scraper seal	1	7006147	7006030			7006034		

FKM P113 valve seal kits for DCX3 elastomer seal valves:

F3	Diameter	DN25-38 SMS	DN51 SMS	DN63-76 SMS					
		DN25-40 DIN	DN50 DIN	DN65 DIN	DN80 DIN	DN80 ACT.104	104 SMS 100 DIN	DN125 DIN	DN150 DIN
		DN1"-1"1/2 US	DN2" US	DN3" US			DN4" US		DN6" US
Kit No.		7072045	7072046	7072047	7072088	7072048	7072049	7072092	7072093
Guide	Description	Qty	Seal reference						
26	Seal support plate O-ring FKM P113	1	7380607	7006130	7006131		7006063		7006129
30	DCX3/4 plug O-ring FKM P113	1	7006173	7380607	7380609	7380601	7380606	7006136	7006063 7006121
31	Seal support plate O-ring FKM P113	1	7006157	7380620			7380617		
32	Seal support plate ring.	2	7009993	7009972			7009973		7010261
33	Seal support plate scraper seal	1	7006147	7006030			7006034		

VMQ valve seal kits for DCX3 elastomer seal valves:

F4	Diameter	DN25-38 SMS	DN51 SMS	DN63-76 SMS					
		DN25-40 DIN	DN50 DIN	DN65 DIN	DN80 DIN	DN80 ACT.104	104 SMS 100 DIN	DN125 DIN	DN150 DIN
		DN1"-1"1/2 US	DN2" US	DN3" US			DN4" US		DN6" US
Kit No.		7070576	7070577	7070578	7071006	7070579	7070580		
Guide	Description	Qty	Seal reference						
26	Seal support plate O-ring VMQ	1	7006171	7006175	7006180		7006184		
30	DCX3/4 plug O-ring VMQ	1	7006172	7006171	7006057	7006181	7006083	7006198	
31	Seal support plate O-ring VMQ	1	7006170	7006035			7006589		
32	Seal support plate ring.	2	7009993	7009972			7009973		
33	Seal support plate scraper seal	1	7006147	7006030			7006034		

HNBR valve seal kits for DCX3 elastomer seal valves:

F5	Diameter	DN25-38 SMS	DN51 SMS	DN63-76 SMS						
		DN25-40 DIN	DN50 DIN	DN65 DIN	DN80 DIN	DN80 ACT.104	104 SMS 100 DIN	DN125 DIN	DN150 DIN	
		DN1"-1"1-2 US	DN2" US	DN3" US			DN4" US		DN6" US	
Kit No.		7072265	7072266	7072267	7072268	7072269	7072270	7072271	7072272	
Guide	Description	Qty	Seal reference							
26	Seal support plate O-ring. HNBR	1	7381072	7006414	7191024		7381090		7381091	
30	DCX3/4 plug O-ring HNBR	1	7381075	7381072	7381074	7381073	7381107	7381099	7381090	7381100
31	Seal support plate O-ring. HNBR	1	7381076	7191035		7381092				
32	Seal support plate ring.	2	7009993	7009972		7009973		7010261		
33	Seal support plate scraper seal	1	7006147	7006030		7006034				

PFA/EPDM valve seal kits for DCX4 standard valves (Complete):

G1	Diameter	DN25-38 SMS	DN51 SMS	DN63-76 SMS					
		DN25-40 DIN	DN50 DIN	DN65 DIN	DN80 DIN	DN80 ACT.104	104 SMS 100 DIN	DN125 DIN	DN150 DIN
		DN1"-1"1/2 US	DN2" US	DN3" US			DN4" US		DN6" US
Kit No.		7070604	7070605	7070606	7071001	7070553	7070607	7070812	7070815
Guide	Description	Qty	Seal reference						
26	Seal support plate O-ring EPDM	2	7380158	7380159	7006164		7006183		7006216
29	DCX3/4 plug seal PFA	2	7005138	7005147	7005156	7301963	7140038	7005291	7300341 7300342
31	Seal support plate O-ring EPDM	1	7380137	7380179			7006160		
32	Seal support plate ring.	2	7009993	7009972			7009973		
33	Seal support plate scraper seal	1	7006147	7006030			7006034		

PFA/FKM FP75 valve seals for DCX4 standard valves (Complete):

G2	Diameter	DN25-38 SMS	DN51 SMS	DN63-76 SMS					
		DN25-40 DIN	DN50 DIN	DN65 DIN	DN80 DIN	DN80 ACT.104	104 SMS 100 DIN	DN125 DIN	DN150 DIN
		DN1"-1"1/2 US	DN2" US	DN3" US			DN4" US		DN6" US
Kit No.		7070644	7070645	7070646	7071002	7070554	7070647	7070813	7070816
Guide	Description	Qty	Seal reference						
26	Seal support plate O-ring FKM FP75	2	7010808	7010801	7010810		7381043		7013688
29	DCX3/4 plug seal PFA	2	7005138	7005147	7005156	7301963	7140038	7005291	7300341 7300342
31	Seal support plate O-ring FKM FP75	1	7010806	7380899			7010881		
32	Seal support plate ring.	2	7009993	7009972			7009973		
33	Seal support plate scraper seal	1	7006147	7006030			7006034		

PFA/FKM P113 valve seals for DCX4 standard valves (Complete):

G3	Diameter	DN25-38 SMS	DN51 SMS	DN63-76 SMS					
		DN25-40 DIN	DN50 DIN	DN65 DIN	DN80 DIN	DN80 ACT.104	104 SMS 100 DIN	DN125 DIN	DN150 DIN
		DN1"-1"1/2 US	DN2" US	DN3" US			DN4" US		DN6" US
Kit No.		7072066	7072067	7072068	7072087	7072044	7072069	7072074	7072075
Guide	Description	Qty	Seal reference						
26	Seal support plate O-ring FKM P113	2	7380607	7006130	7006131		7006063		7006129
29	DCX3/4 plug seal PFA	2	7005138	7005147	7005156	7301963	7140038	7005291	7300341 7300342
31	Seal support plate O-ring FKM P113	1	7006157	7380620			7380617		
32	Seal support plate ring.	2	7009993	7009972			7009973		
33	Seal support plate scraper seal	1	7006147	7006030			7006034		

PFA/VMQ valve seals for DCX4 standard valves (Complete):

G4	Diameter	DN25-38 SMS	DN51 SMS	DN63-76 SMS					
		DN25-40 DIN	DN50 DIN	DN65 DIN	DN80 DIN	DN80 ACT.104	104 SMS 100 DIN	DN125 DIN	DN150 DIN
		DN1"-1"1/2 US	DN2" US	DN3" US			DN4" US		DN6" US
Kit No.		7070648	7070649	7070650	7071003	7070555	7070651		
Guide	Description	Qty	Seal reference						
26	Seal support plate O-ring VMQ	2	7006171	7006175	7006180		7006184		
29	DCX3/4 plug seal PFA	2	7005138	7005147	7005156	7301963	7140038	7005291	
31	Seal support plate O-ring VMQ	1	7006170	7006035			7006589		
32	Seal support plate ring.	2	7009993	7009972			7009973		
33	Seal support plate scraper seal	1	7006147	7006030			7006034		

PFA/HNBR valve seals for DCX4 standard valves (Complete):

G5	Diameter	DN25-38 SMS	DN51 SMS	DN63-76 SMS						
		DN25-40 DIN	DN50 DIN	DN65 DIN	DN80 DIN	DN80 ACT.104	104 SMS 100 DIN	DN125 DIN	DN150 DIN	
		DN1"-1 1/4"-2 US	DN2" US	DN3" US			DN4" US		DN6" US	
Kit No.		7072178	7072179	7072180	7072191	7072192	7072181	7072182	7072193	
Guide	Description	Qty	Seal reference							
26	Seal support plate O-ring. HNBR	2	7381072	7006414	7191024		7381090		7381091	
29	DCX3/4 plug seal PFA	2	7005138	7005147	7005156	7301963	7140038	7005291	7300341	7300342
31	Seal support plate O-ring. HNBR	1	7381076	7191035			7381092			
32	Seal support plate ring.	2	7009993	7009972			7009973			
33	Seal support plate scraper seal	1	7006147	7006030			7006034			

EPDM valve seal kits for DCX4 standard valves (Without PFA seal):

H1	Diameter	DN25-38 SMS	DN51 SMS	DN63-76 SMS					
		DN25-40 DIN	DN50 DIN	DN65 DIN	DN80 DIN	DN80 ACT.104	104 SMS 100 DIN	DN125 DIN	DN150 DIN
		DN1"-1"1/2 US	DN2" US	DN3" US			DN4" US		DN6" US
Kit No.		7070632	7070633	7070634		7070635		7070818	
Guide	Description	Qty	Seal reference						
26	Seal support plate O-ring EPDM	2	7380158	7380159	7006164		7006183		7006216
31	Seal support plate O-ring EPDM	1	7380137	7380179			7006160		
32	Seal support plate ring.	2	7009993	7009972			7009973		
33	Seal support plate scraper seal	1	7006147	7006030			7006034		

FKM FP75 valve seal kits for DCX4 valves (Without PFA seal):

H2	Diameter	DN25-38 SMS	DN51 SMS	DN63-76 SMS					
		DN25-40 DIN	DN50 DIN	DN65 DIN	DN80 DIN	DN80 ACT.104	104 SMS 100 DIN	DN125 DIN	DN150 DIN
		DN1"-1"1/2 US	DN2" US	DN3" US			DN4" US		DN6" US
Kit No.		7070636	7070637	7070638		7070639		7070819	
Guide	Description	Qty	Seal reference						
26	Seal support plate O-ring FKM FP75	2	7010808	7010801	7010810		7381043		7013688
31	Seal support plate O-ring FKM FP75	1	7010806	7380899			7010881		
32	Seal support plate ring.	2	7009993	7009972			7009973		
33	Seal support plate scraper seal	1	7006147	7006030			7006034		

FKM P113 valve seal kits for DCX4 valves (Without PFA seal):

H3	Diameter	DN25-38 SMS	DN51 SMS	DN63-76 SMS					
		DN25-40 DIN	DN50 DIN	DN65 DIN	DN80 DIN	DN80 ACT.104	104 SMS 100 DIN	DN125 DIN	DN150 DIN
		DN1"-1"1/2 US	DN2" US	DN3" US			DN4" US		DN6" US
Kit No.		7072062	7072063	7072064		7072065		7072076	
Guide	Description	Qty	Seal reference						
26	Seal support plate O-ring FKM P113	2	7380607	7006130	7006131		7006063		7006129
31	Seal support plate O-ring FKM P113	1	7006157	7380620			7380617		
32	Seal support plate ring.	2	7009993	7009972			7009973		
33	Seal support plate scraper seal	1	7006147	7006030			7006034		

VMQ valve seal kits for DCX4 valves (Without PFA seal):

H4	Diameter	DN25-38 SMS	DN51 SMS	DN63-76 SMS					
		DN25-40 DIN	DN50 DIN	DN65 DIN	DN80 DIN	DN80 ACT.104	104 SMS 100 DIN	DN125 DIN	DN150 DIN
		DN1"-1"1/2 US	DN2" US	DN3" US			DN4" US		DN6" US
Kit No.		7070640	7070641	7070642		7070643			
Guide	Description	Qty	Seal reference						
26	Seal support plate O-ring VMQ	2	7006171	7006175	7006180		7006184		
31	Seal support plate O-ring VMQ	1	7006170	7006035			7006589		
32	Seal support plate ring.	2	7009993	7009972			7009973		
33	Seal support plate scraper seal	1	7006147	7006030			7006034		

HNBR valve seal kits for **DCX4** valves (Without **PFA** seal):

H5	Diameter	DN25-38 SMS	DN51 SMS	DN63-76 SMS					
		DN25-40 DIN	DN50 DIN	DN65 DIN	DN80 DIN	DN80 ACT.104	104 SMS 100 DIN	DN125 DIN	DN150 DIN
		DN1"-1"1-2 US	DN2" US	DN3" US			DN4" US		DN6" US
Kit No.		7072183	7072184	7072185		7072186		7072187	
Guide	Description	Qty	Seal reference						
26	Seal support plate O-ring. HNBR	2	7381072	7006414	7191024		7381090		7381091
31	Seal support plate O-ring. HNBR	1	7381076	7191035			7381092		
32	Seal support plate ring.	2	7009993	7009972			7009973		
33	Seal support plate scraper seal	1	7006147	7006030			7006034		

PFA/diaphragm/EPDM valve seal kits for DCX4 diaphragm and alcohol barrier diaphragm valves:

I1	Diameter	DN25	DN51	DN63						
		-38	SMS	-76	SMS					
		SMS	SMS	SMS						
Kit No.		7070880	7070881	7070882	7070113	7070883	7070884	7070885	7070865	
Guide	Description	Qty	Seal reference							
26	Body O-ring EPDM	1	7380158	7380159	7006164	7006183	7006216			
29	DCX3/4 plug seal PFA	2	7005138	7005147	7005156	7301963	7140038	7005291	7300341 7300342	
38	Diaphragm PTFE	1	7006691	7006692	7006693	7006694	7006650			
39	Spring washer	2	7007425	7007419		7007426				
40	Diaphragm seal support plate ring	1	7003558	7009962	7009988	7010166	7009951			
65	Seal support plate with leak collector O-ring EPDM	1	7006145	7006038	7006235	7006008	7006256			

PFA/diaphragm/FKM FP75 valve seal kits for DCX4 diaphragm and alcohol barrier diaphragm valves:

I2	Diameter	DN25	DN51	DN63						
		-38	SMS	-76	SMS					
		SMS	SMS	SMS						
Kit No.		7070886	7070887	7070888	7071014	7070889	7070890	7070891	7070878	
Guide	Description	Qty	Seal reference							
26	Body O-ring FKM FP75	1	7010808	7010801	7010810	7381043	7013688			
29	DCX3/4 plug seal PFA	2	7005138	7005147	7005156	7301963	7140038	7005291	7300341 7300342	
38	Diaphragm PTFE	1	7006691	7006692	7006693	7006694	7006650			
39	Spring washer	2	7007425	7007419		7007426				
40	Diaphragm seal support plate ring	1	7003558	7009962	7009988	7010166	7009951			
65	Seal support plate with leak collector O-ring FKM FP75	1	7381053	7010880	7010801	7381054	7381055			

PFA/diaphragm/FKM P113 valve seal kits for DCX4 diaphragm and alcohol barrier diaphragm valves:

I3	Diameter	DN25-38 SMS	DN51 SMS	DN63-76 SMS					
		DN25-40 DIN	DN50 DIN	DN65 DIN	DN80 DIN	DN80 ACT.104	104 SMS 100 DIN	DN125 DIN	DN150 DIN
		DN1"-1"1/2 US	DN2" US	DN3" US			DN4" US		DN6" US
Kit No.		7072080	7072081	7072082	7072091	7072083	7072084	7072085	7072079
Guide	Description	Qty	Seal reference						
26	Body O-ring FKM P113	1	7380607	7006130	7006131	7006063	7006129		
29	DCX3/4 plug seal PFA	2	7005138	7005147	7005156	7301963	7140038	7005291	7300341 7300342
38	Diaphragm PTFE	1	7006691	7006692	7006693	7006694	7006650		
39	Spring washer	2	7007425	7007419		7007426			
40	Diaphragm seal support plate ring	1	7003558	7009962	7009988	7010166	7009951		
65	Seal support plate with leak collector O-ring FKM P113	1	7380624	7006128	7006130	7380606	7011029		

PFA/diaphragm/VMQ valve seal kits for DCX4 diaphragm and alcohol barrier diaphragm valves:

14	Diameter	DN25-38 SMS	DN51 SMS	DN63-76 SMS					
		DN25-40 DIN	DN50 DIN	DN65 DIN	DN80 DIN	DN80 ACT.104	104 SMS 100 DIN	DN125 DIN	DN150 DIN
		DN1"-1"1/2 US	DN2" US	DN3" US			DN4" US		DN6" US
Kit No.		7070892	7070893	7070894	7071015	7070895	7070896		
Guide	Description	Qty	Seal reference						
26	Body O-ring VMQ	1	7006171	7006175	7006180		7006184		
29	DCX3/4 plug seal PFA	2	7005138	7005147	7005156	7301963	7140038	7005291	
38	Diaphragm PTFE	1	7006691	7006692	7006693		7006694		
39	Spring washer	2	7007425	7007419			7007426		
40	Diaphragm seal support plate ring	1	7003558	7009962	7009988		7010166		
65	Seal support plate with leak collector O-ring VMQ	1	7006204	7006036	7006152		7006226		

PFA/diaphragm/HNBR valve seal kits for DCX4 diaphragm and alcohol barrier diaphragm valves:

15	Diameter	DN25-38 SMS	DN51 SMS	DN63-76 SMS					
		DN25-40 DIN	DN50 DIN	DN65 DIN	DN80 DIN	DN80 ACT.104	104 SMS 100 DIN	DN125 DIN	DN150 DIN
		DN1"-1"1/2 US	DN2" US	DN3" US			DN4" US		DN6" US
Kit No.		7072273	7072274	7072275	7072276	7072277	7072278	7072279	7072280
Guide	Description	Qty	Seal reference						
26	Body O-ring HNBR	1	7381072	7006414	7191024		7381090		7381091
29	DCX3/4 plug seal PFA	2	7005138	7005147	7005156	7301963	7140038	7005291	7300341 7300342
38	Diaphragm PTFE	1	7006691	7006692	7006693		7006694		7006650
39	Spring washer	2	7007425	7007419			7007426		
40	Diaphragm seal support plate ring	1	7003558	7009962	7009988		7010166		7009951
65	Seal support plate with leak collector O-ring HNBR	1	7381108	7381078	7006414		7381107		7381109

PFA/EPDM valve seal kits for DCX4 aseptic seat valves:

J1	Diameter	DN25-38 SMS	DN51 SMS	DN63-76 SMS					
		DN25-40 DIN	DN50 DIN	DN65 DIN	DN80 DIN	DN80 ACT.104	104 SMS 100 DIN	DN125 DIN	DN150 DIN
		DN1"-1"1/2 US	DN2" US	DN3" US			DN4" US		DN6" US
Kit No.		7070506	7070507	7070508	7071017	7070509	7070510	7070856	7070857
Guide	Description	Qty	Seal reference						
26	Seal support plate O-ring EPDM	2	7380158	7380159	7006164		7006183		7006216
29	DCX3/4 plug seal PFA	2	7005138	7005147	7005156	7301963	7140038	7005291	7300341 7300342
31	Seal support plate O-ring EPDM	1	7380137	7380179			7006160		
32	Seal support plate ring.	1	7009993	7009972			7009973		
62	Seal support plate O-ring EPDM	1	7006145	7006038			7006441		

EPDM valve seal kits for DCX4 elastomer seal valves:

K1	Diameter	DN25-38 SMS	DN51 SMS	DN63-76 SMS					
		DN25-40 DIN	DN50 DIN	DN65 DIN	DN80 DIN	DN80 ACT.104	104 SMS 100 DIN	DN125 DIN	DN150 DIN
		DN1"-1"1/2 US	DN2" US	DN3" US			DN4" US		DN6" US
Kit No.		7070511	7070512	7070513	7071007	7070514	7070515		
Guide	Description	Qty	Seal reference						
26	Seal support plate O-ring EPDM	2	7380158	7380159	7006164		7006183		
30	DCX3/4 plug O-ring EPDM	2	7006174	7380158	7006193	7006002	7006008	7006162	
31	Seal support plate O-ring EPDM	1	7380137	7380179			7006160		
32	Seal support plate ring.	2	7009993		7009972		7009973		
33	Seal support plate scraper seal	1	7006147	7006030			7006034		

FKM FP75 valve seal kits for DCX4 elastomer seal valves:

K2	Diameter	DN25-38 SMS	DN51 SMS	DN63-76 SMS					
		DN25-40 DIN	DN50 DIN	DN65 DIN	DN80 DIN	DN80 ACT.104	104 SMS 100 DIN	DN125 DIN	DN150 DIN
		DN1"-1"1/2 US	DN2" US	DN3" US			DN4" US		DN6" US
Kit No.		7070516	7070517	7070518	7071008		7070520		
Guide	Description	Qty	Seal reference						
26	Seal support plate O-ring FKM FP75	2	7010808	7010801	7010810			7381043	
30	DCX3/4 plug O-ring FKM FP75	2	7006173	7010808	7380914	7380915		7010787	
31	Seal support plate O-ring FKM FP75	1	7010806	7380899				7010881	
32	Seal support plate ring.	2	7009993		7009972			7009973	
33	Seal support plate scraper seal	1	7006147	7006030				7006034	

FKM P113 valve seal kits for DCX4 elastomer seal valves:

K3	Diameter	DN25-38 SMS	DN51 SMS	DN63-76 SMS					
		DN25-40 DIN	DN50 DIN	DN65 DIN	DN80 DIN	DN80 ACT.104	104 SMS 100 DIN	DN125 DIN	DN150 DIN
		DN1"-1"1/2 US	DN2" US	DN3" US			DN4" US		DN6" US
Kit No.		7072039	7072040	7072041	7072089	7070519	7072042		
Guide	Description	Qty	Seal reference						
26	Seal support plate O-ring FKM P113	2	7380607	7006130	7006131		7006063		
30	DCX3/4 plug O-ring FKM P113	2	7006173	7380607	7380609	7380601	7380606	7006136	
31	Seal support plate O-ring FKM P113	1	7006157	7380620			7380617		
32	Seal support plate ring.	2	7009993		7009972		7009973		
33	Seal support plate scraper seal	1	7006147	7006030			7006034		

VMQ valve seal kits for DCX4 elastomer seal valves:

K4	Diameter	DN25-38 SMS	DN51 SMS	DN63-76 SMS					
		DN25-40 DIN	DN50 DIN	DN65 DIN	DN80 DIN	DN80 ACT.104	104 SMS 100 DIN	DN125 DIN	DN150 DIN
		DN1"-1"1/2 US	DN2" US	DN3" US			DN4" US		DN6" US
Kit No.		7070521	7070522	7070523	7071009	7070524	7070525		
Guide	Description	Qty	Seal reference						
26	Seal support plate O-ring VMQ	2	7006171	7006175	7006180		7006184		
30	DCX3/4 plug O-ring VMQ	2	7006172	7006171	7006057	7006181	7006083	7006198	
31	Seal support plate O-ring VMQ	1	7006170	7006035			7006589		
32	Seal support plate ring.	2	7009993		7009972		7009973		
33	Seal support plate scraper seal	1	7006147	7006030			7006034		

HNBR valve seal kits for DCX4 elastomer seal valves:

K5	Diameter	DN25-38 SMS	DN51 SMS	DN63-76 SMS					
		DN25-40 DIN	DN50 DIN	DN65 DIN	DN80 DIN	DN80 ACT.104	104 SMS 100 DIN	DN125 DIN	DN150 DIN
		DN1"-1"1-2 US	DN2" US	DN3" US			DN4" US		DN6" US
Kit No.		7072281	7072282	7072283	7072284	7072285	7072286		
Guide	Description	Qty	Seal reference						
26	Seal support plate O-ring. HNBR	2	7381072	7006414	7191024		7381090		
30	DCX3/4 plug O-ring HNBR	2	7381075	7381072	7381074	7381073	7381107	7381099	
31	Seal support plate O-ring. HNBR	1	7381076	7191035		7381092			
32	Seal support plate ring.	2	7009993	7009972		7009973			
33	Seal support plate scraper seal	1	7006147	7006030		7006034			

PFA/EPDM valve seal kits for BALANCED DCX4 valves:

L1	Diameter	DN25-38 SMS	DN51 SMS	DN63-76 SMS			
		DN25-40 DIN	DN50 DIN	DN65 DIN	DN80 DIN	104 SMS 100 DIN	
		DN1"-1"1/2 US	DN2" US	DN3" US		DN4" US	
Kit No.		7071656	7071601	7071602	7071603	7071604	
Guide	Description	Qty	Seal reference				
26	Seal support plate O-ring EPDM	2	7380158	7380159	7006164		7006183
29	DCX3/4 plug seal PFA	2	7005138	7005147	7005156	7301963	7005291
83	Plug seal for EPDM	1	7381033	7008673	7008674		7008675
84	Seal support plate ring	2	7009973	7009968	7010133		7010137

PFA/FKM FP75 valve seal kits for BALANCED DCX4 valves:

L2	Diameter	DN25-38 SMS	DN51 SMS	DN63-76 SMS			
		DN25-40 DIN	DN50 DIN	DN65 DIN	DN80 DIN	104 SMS 100 DIN	
		DN1"-1"1/2 US	DN2" US	DN3" US		DN4" US	
Kit No.		7071657	7071658	7071659	7071660	7071661	
Guide	Description	Qty	Seal reference				
26	Seal support plate O-ring FKM FP75	2	7010808	7010801	7010810		7381043
29	DCX3/4 plug seal PFA	2	7005138	7005147	7005156	7301963	7005291
83	Plug seal for FKM FP75	1	7381044	7380899	7380877		7380903
84	Seal support plate ring	2	7009973	7009968	7010133		7010137

PFA/FKM P113 valve seal kits for BALANCED DCX4 valves:

L3	Diameter	DN25-38 SMS	DN51 SMS	DN63-76 SMS			
		DN25-40 DIN	DN50 DIN	DN65 DIN	DN80 DIN	104 SMS 100 DIN	
		DN1"-1"1/2 US	DN2" US	DN3" US		DN4" US	
Kit No.		7072095	7072096	7072097	7072098	7072099	
Guide	Description	Qty	Seal reference				
26	Seal support plate O-ring FKM P113	2	7380607	7006130	7006131		7006063
29	DCX3/4 plug seal PFA	2	7005138	7005147	7005156	7301963	7005291
83	Plug seal for FKM P113	1	7381044	7380889	7380877		7380903
84	Seal support plate ring	2	7009973	7009968	7010133		7010137

PFA/HNBR valve seal kits for BALANCED DCX4 valves:

L4	Diameter	DN25-38 SMS	DN51 SMS	DN63-76 SMS			
		DN25-40 DIN	DN50 DIN	DN65 DIN	DN80 DIN	104 SMS 100 DIN	
		DN1"-1"1/2 US	DN2" US	DN3" US		DN4" US	
Kit No.		7072287	7072288	7072289	7072290	7072291	
Guide	Description	Qty	Seal reference				
26	Seal support plate O-ring HNBR	2	7381072	7006414	7191024		7381090
29	DCX3/4 plug seal PFA	2	7005138	7005147	7005156	7301963	7005291
83	Plug seal for HNBR	1	7381113	7191026	7191030		7381112
84	Seal support plate ring	2	7009973	7009968	7010133		7010137

Diaphragm/EPDM seal kit for DCX3 elastomer seal valve :

M1	Diameter	DN25-38 SMS	DN51 SMS	DN63-76 SMS						
		DN25-40 DIN	DN50 DIN	DN65 DIN	DN80 DIN	DN80 ACT.104	104 SMS 100 DIN	DN125 DIN	DN150 DIN	
		DN1"-1"1/2 US	DN2" US	DN3" US			DN4" US		DN6" US	
Kit No.		7071037	7071038	7071039	7071040		7071041	7072450	7072451	
Guide	Description	Qty	Seal reference							
30	DCX3/4 plug O-ring EPDM	1	7006174	7380158	7006193	7006002		7006162	7006183	7006199
38	Diaphragm PTFE	1	7006691	7006692	7006693			7006694	7006650	
39	Spring washer	2	7007425	7007419				7007426		
40	Diaphragm seal support plate ring	1	7003558	7009962	7009988			7010166	7009951	
65	Seal support plate with leak collector O-ring EPDM	1	7006145	7006038	7006235			7006008	7006256	

Diaphragm/FKM FP75 seal kit for DCX3 elastomer seal valve :

M2	Diameter	DN25-38 SMS	DN51 SMS	DN63-76 SMS						
		DN25-40 DIN	DN50 DIN	DN65 DIN	DN80 DIN	DN80 ACT.104	104 SMS 100 DIN	DN125 DIN	DN150 DIN	
		DN1"-1"1/2 US	DN2" US	DN3" US			DN4" US		DN6" US	
Kit No.			7071043	7071044	7071045		7071046	7072452	7072453	
Guide	Description	Qty	Seal reference							
30	DCX3/4 plug O-ring FKM FP75	1		7010808	7380914	7380915		7010787	7381043	7380866
38	Diaphragm PTFE	1		7006692	7006693			7006694	7006650	
39	Spring washer	2		7007419				7007426		
40	Diaphragm seal support plate ring	1		7009962	7009988			7010166	7009951	
65	Seal support plate with leak collector O-ring FKM FP75	1		7010880	7010801			7381054	7381055	

Diaphragm/FKM P113 seal kit for DCX3 elastomer seal valve :

M3	Diameter	DN25-38 SMS	DN51 SMS	DN63-76 SMS						
		DN25-40 DIN	DN50 DIN	DN65 DIN	DN80 DIN	DN80 ACT.104	104 SMS 100 DIN	DN125 DIN	DN150 DIN	
		DN1"-1"1/2 US	DN2" US	DN3" US			DN4" US		DN6" US	
Kit No.		7071042	7072296	7072297	7072298		7072299	7072454	7072455	
Guide	Description	Qty	Seal reference							
30	DCX3/4 plug O-ring FKM P113	1	7006173	7380607	7380609	7380601		7006136	7006063	7006121
38	Diaphragm PTFE	1	7006691	7006692	7006693			7006694	7006650	
39	Spring washer	2	7007425	7007419				7007426		
40	Diaphragm seal support plate ring	1	7003558	7009962	7009988			7010166	7009951	
65	Seal support plate with leak collector O-ring FKM P113	1	7380624	7006128	7006130			7380606	7011029	

Diaphragm/VMQ seal kit for DCX3 elastomer seal valve:

M4	Diameter	DN25-38 SMS	DN51 SMS	DN63-76 SMS						
		DN25-40 DIN	DN50 DIN	DN65 DIN	DN80 DIN	DN80 ACT.104	104 SMS 100 DIN	DN125 DIN	DN150 DIN	
		DN1"-1"1/2 US	DN2" US	DN3" US			DN4" US		DN6" US	
Kit No.		7071047	7071048	7071049	7071050		7071051			
Guide	Description	Qty	Seal reference							
30	DCX3/4 plug O-ring VMQ	1	7006172	7006171	7006057	7006181		7006198		
38	Diaphragm PTFE	1	7006691	7006692	7006693			7006694		
39	Spring washer	2	7007425	7007419				7007426		
40	Diaphragm seal support plate ring	1	7003558	7009962	7009988			7010166		
65	Seal support plate with leak collector O-ring VMQ	1	7006204	7006036	7006152			7006226		

Diaphragm/HNBR seal kit for DCX3 elastomer seal valve :

M5	Diameter		DN25-38 SMS	DN51 SMS	DN63-76 SMS					
			DN25-40 DIN	DN50 DIN	DN65 DIN	DN80 DIN	DN80 ACT.104	104 SMS 100 DIN	DN125 DIN	DN150 DIN
			DN1"-1"1-2 US	DN2" US	DN3" US			DN4" US		DN6" US
Kit No.			7072314	7072315	7072316	7072317		7072319	7072456	7072457
Guide	Description	Qty	Seal reference							
30	DCX3/4 plug O-ring HNBR	1	7381075	7381072	7381074	7381073		7381099	7381090	7381100
38	Diaphragm PTFE	1	7006691	7006692	7006693			7006694	7006650	
39	Spring washer	2	7007425	7007419				7007426		
40	Diaphragm seal support plate ring	1	7003558	7009962	7009988			7010166	7009951	
65	Seal support plate with leak collector O-ring HNBR	1	7381108	7381078	7006414			7381107	7381109	

Diaphragm/EPDM seal kit for DCX4 elastomer seal valve :

N1	Diameter	DN25-38 SMS	DN51 SMS	DN63-76 SMS					
		DN25-40 DIN	DN50 DIN	DN65 DIN	DN80 DIN	DN80 ACT.104	104 SMS 100 DIN	DN125 DIN	DN150 DIN
		DN1"-1"1-2 US	DN2" US	DN3" US			DN4" US		DN6" US
Kit No.		7071865	7071866	7071867	7071868		7071869	7072458	7072459
Guide	Description	Qty	Seal reference						
26	Body O-ring EPDM	1	7380158	7380159	7006164			7006183	7006216
30	DCX3/4 plug O-ring EPDM	2	7006174	7380158	7006193	7006002		7006162	7006183 7006199
38	Diaphragm PTFE	1	7006691	7006692	7006693			7006694	7006650
39	Spring washer	2	7007425	7007419				7007426	
40	Diaphragm seal support plate ring	1	7003558	7009962	7009988			7010166	7009951
65	Seal support plate with leak collector O-ring EPDM	1	7006145	7006038	7006235			7006008	7006256

Diaphragm/FKM FP75 seal kit for DCX4 elastomer seal valve :

N2	Diameter	DN25-38 SMS	DN51 SMS	DN63-76 SMS					
		DN25-40 DIN	DN50 DIN	DN65 DIN	DN80 DIN	DN80 ACT.104	104 SMS 100 DIN	DN125 DIN	DN150 DIN
		DN1"-1"1-2 US	DN2" US	DN3" US			DN4" US		DN6" US
Kit No.			7071871	7071872	7071873		7071874	7072460	7072461
Guide	Description	Qty	Seal reference						
26	Body O-ring FKM FP75	1		7010801	7010810			7381043	7013688
30	DCX3/4 plug O-ring FKM FP75	2		7010808	7380914	7380915		7010787	7381043 7380866
38	Diaphragm PTFE	1		7006692	7006693			7006694	7006650
39	Spring washer	2		7007419				7007426	
40	Diaphragm seal support plate ring	1		7009962	7009988			7010166	7009951
65	Seal support plate with leak collector O-ring FKM FP75	1		7010880	7010801			7381054	7381055

Diaphragm/FKM P113 seal kit for DCX4 elastomer seal valve :

N3	Diameter	DN25-38 SMS	DN51 SMS	DN63-76 SMS					
		DN25-40 DIN	DN50 DIN	DN65 DIN	DN80 DIN	DN80 ACT.104	104 SMS 100 DIN	DN125 DIN	DN150 DIN
		DN1"-1"1-2 US	DN2" US	DN3" US			DN4" US		DN6" US
Kit No.		7071870	7072331	7072332	7072333		7072334	7072462	7072463
Guide	Description	Qty	Seal reference						
26	Body O-ring FKM P113	1	7380607	7006130	7006131			7006063	7006129
30	DCX3/4 plug O-ring FKM P113	2	7006173	7380607	7380609	7380601		7006136	7006063 7006121
38	Diaphragm PTFE	1	7006691	7006692	7006693			7006694	7006650
39	Spring washer	2	7007425	7007419				7007426	
40	Diaphragm seal support plate ring	1	7003558	7009962	7009988			7010166	7009951
65	Seal support plate with leak collector O-ring FKM P113	1	7380624	7006128	7006130			7380606	7011029



Diaphragm/VMQ seal kit for DCX4 elastomer seal valve :

N4	Diameter	DN25-38 SMS	DN51 SMS	DN63-76 SMS					
		DN25-40 DIN	DN50 DIN	DN65 DIN	DN80 DIN	DN80 ACT.104	104 SMS 100 DIN	DN125 DIN	DN150 DIN
		DN1"-1"1/2 US	DN2" US	DN3" US			DN4" US		DN6" US
Kit No.		7071875	7071876	7071877	7071878		7071879		
Guide	Description	Qty	Seal reference						
26	Body O-ring VMQ	1	7006171	7006175	7006180			7006184	
30	DCX3/4 plug O-ring VMQ	2	7006172	7006171	7006057	7006181		7006198	
38	Diaphragm PTFE	1	7006691	7006692	7006693			7006694	
39	Spring washer	2	7007425	7007419				7007426	
40	Diaphragm seal support plate ring	1	7003558	7009962	7009988			7010166	
65	Seal support plate with leak collector O-ring VMQ	1	7006204	7006036	7006152			7006226	

Diaphragm/HNBR seal kit for DCX4 elastomer seal valve :

N5	Diameter	DN25-38 SMS	DN51 SMS	DN63-76 SMS					
		DN25-40 DIN	DN50 DIN	DN65 DIN	DN80 DIN	DN80 ACT.104	104 SMS 100 DIN	DN125 DIN	DN150 DIN
		DN1"-1"1/2 US	DN2" US	DN3" US			DN4" US		DN6" US
Kit No.		70702335	7072336	7072337	7072338		7072339	7072464	7072465
Guide	Description	Qty	Seal reference						
26	Body O-ring HNBR	1	7381072	7006414	7191024			7381090	7381091
30	DCX3/4 plug O-ring HNBR	2	7381075	7381072	7381074	7381073		7381099	7381090 7381100
38	Diaphragm PTFE	1	7006691	7006692	7006693			7006694	7006650
39	Spring washer	2	7007425	7007419				7007426	
40	Diaphragm seal support plate ring	1	7003558	7009962	7009988			7010166	7009951
65	Seal support plate with leak collector O-ring HNBR	1	7381108	7381078	7006414			7381107	7381109

6.27 Reference of greases

	Ref.	Designation	
Grease for actuator seals	7010662	grease cartridge 400 g (4025 H1 QUINPLEX)	
Grease for valve seals	7030668	grease cartridge 500 g (Kluber Paraliq GTE 703, NFS H1, 21 CRF § 178.3570)	

6.28 Reference for DCX3/4 valve tools

Diameter	DN25-38 SMS	DN51 SMS	DN63-76 SMS		DN104 SMS	DN125/150
	DN25-40 DIN	DN50 DIN	DN65 DIN	DN80 DIN	DN100 DIN	DIN
	DN1" - 1 1/2 US	DN2" US	DN2 1/2 - 3" US		DN4" US	
Designation	Tool reference					
ACTUATOR SAFETY MAINTENANCE KIT DCX3-4 NO	7814976					
MAINTENANCE CAM DCX3-4 NC	7814986	7814972		7814987		7814988
DCX3/4 GUIDE PIN	7300453	7300454	7300455		7300456	



The case 7082865 containing all the maintenance (assembly and disassembly) and safety tools DN25/150 is available.

NOTE



www.definox.com

info@definox.com

FRANCE

DEFINOX SAS
3 Rue des Papetiers - Z.A.C de Tabari 2
44190 CLISSON - France
Tel : +33 (0)2 28 03 98 50 Fax : +33 (0)2 28 03 88 00

USA

DEFINOX INC.
16720 W. Victor Road
New Berlin – WISCONSIN 53151 – USA
Tel : (1) 262 797 5730 - Fax : (1) 262 797 5735

CHINA

DEFINOX Beijing Stainless Steel Equipment Ltd
No 18 Anningzhuang East Road – HAIDIAN District
BEIJING 100085 – CHINA
Tel : (86) 10.6293.4909 - Fax : (86) 10.6293-4835

The product specifications of this document are indicative and may be modified according to technological developments.
None of the photographs, designs and diagrams are binding.

This document is our property. It may not be copied, reproduced, modified or translated without our express authorization.
DEFINOX is a registered trademark.