

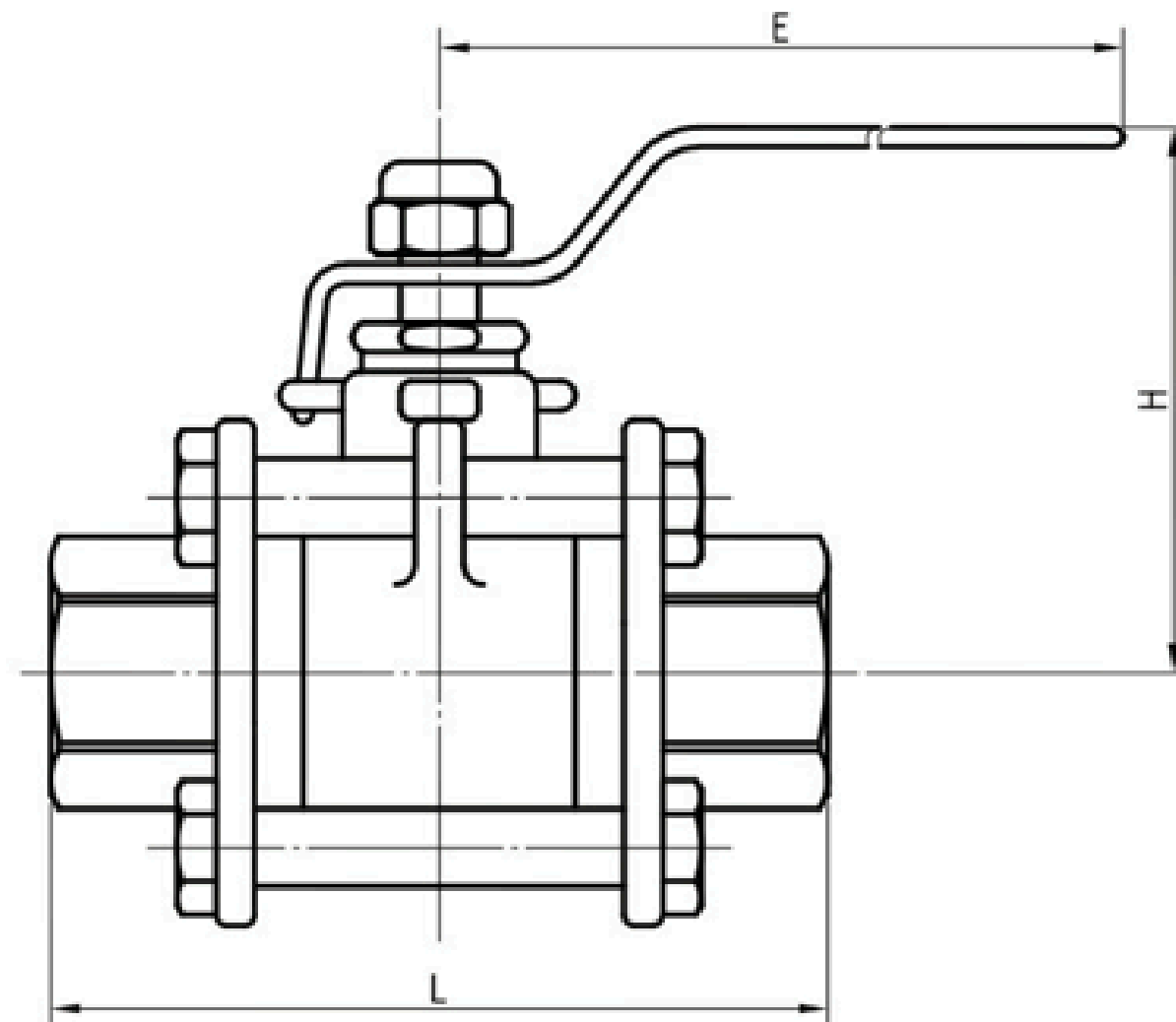
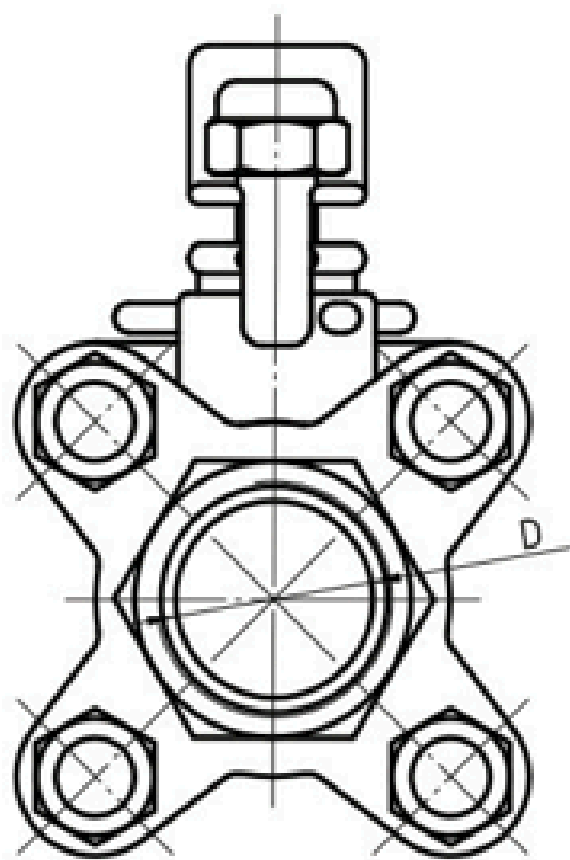
Haleson

HS-BV-PM3M Rev2

Manual Ball Valve; Full Port; 3 Pieces

Hydrostatic Test		Air Test
Body	Seat	Seat
1500psi	110psi	0.6Mpa

Body & Bonnet	CF8/CF8M
Seat	PTFE
Ball & Stem	SS316
Seals	PTFE
Stem Packing	PTFE
Packing Gland	SS304
Handle	SS304



Unit:mm

inch	L	H	E	D
1/2"	63	50	107	14
3/4"	71.5	58.5	111	19.6
1"	78	64.5	124	25
1 1/4"	91	78	143.5	32
1 1/2"	100.5	85	163	37
2"	124	99	163	50