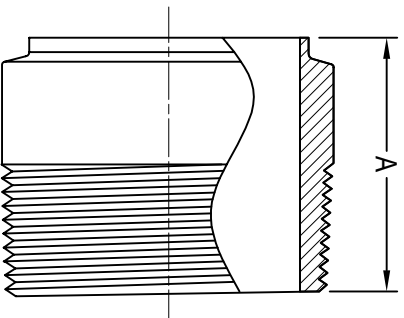


HS-19WB ADAPTER, WELD X MALE NPT



TUBE OD	A	Wall Thickness	SS-304 Item No.	SS-316L Item No.
1/2"	1.625	0.065	0.50" HS-19WB-4-7	0.50" HS-19WB-6-7
3/4"	1.625	0.065	0.75" HS-19WB-4-7	0.75" HS-19WB-6-7
1"	1.750	0.065	1.00" HS-19WB-4-7	1.00" HS-19WB-6-7
1 1/2"	1.750	0.065	1.50" HS-19WB-4-7	1.50" HS-19WB-6-7
2"	1.812	0.065	1.00" HS-19WB-4-7	1.00" HS-19WB-6-7
2 1/2"	2.312	0.065	2.50" HS-19WB-4-7	2.50" HS-19WB-6-7
3"	2.500	0.065	3.00" HS-19WB-4-7	3.00" HS-19WB-6-7
4"	2.562	0.083	4.00" HS-19WB-4-7	4.00" HS-19WB-6-7
6"	3.000	0.109	6.00" HS-19WB-4-7	6.00" HS-19WB-6-7

All dimensions in inches.

JAN. 2021



www.halesoninc.com