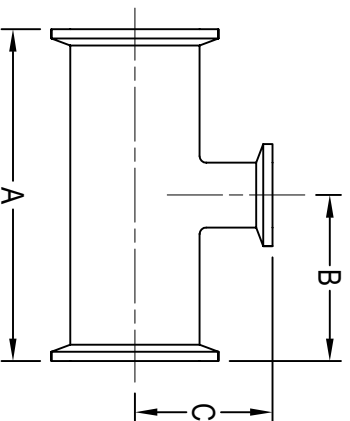


# BPE HS-7RMP CLAMP REDUCING TEE



**DT-4.1.2-8**

CLAMP SIZE	A	B	C	Wall Thickness	BPE SS316L Item No.
3/4" x 1/2"	5.000	2.500	2.500	0.065	0.75" x 0.50" HS-7RMP-B-7
1" x 1/2"	5.250	2.625	2.625	0.065	1.00" x 0.50" HS-7RMP-B-7
1" x 3/4"	5.250	2.625	2.625	0.065	1.00" x 0.75" HS-7RMP-B-7
1 1/2" x 1/2"	5.750	2.875	2.875	0.065	1.50" x 0.50" HS-7RMP-B-7
1 1/2" x 3/4"	5.750	2.875	2.875	0.065	1.50" x 0.75" HS-7RMP-B-7
1 1/2" x 1"	5.750	2.875	2.875	0.065	1.50" x 1.00" HS-7RMP-B-7
2" x 1/2"	6.750	3.375	3.125	0.065	2.00" x 0.50" HS-7RMP-B-7
2" x 3/4"	6.750	3.375	3.125	0.065	2.00" x 0.75" HS-7RMP-B-7
2" x 1"	6.750	3.375	3.125	0.065	2.00" x 1.00" HS-7RMP-B-7
2" x 1 1/2"	6.750	3.375	3.125	0.065	2.00" x 1.50" HS-7RMP-B-7
2 1/2" x 1/2"	7.250	3.625	3.375	0.065	2.50" x 0.50" HS-7RMP-B-7
2 1/2" x 3/4"	7.250	3.625	3.375	0.065	2.50" x 0.75" HS-7RMP-B-7
2 1/2" x 1"	7.250	3.625	3.375	0.065	2.50" x 1.00" HS-7RMP-B-7
2 1/2" x 1 1/2"	7.250	3.625	3.375	0.065	2.50" x 1.50" HS-7RMP-B-7
2 1/2" x 2"	7.250	3.625	3.375	0.065	2.50" x 2.00" HS-7RMP-B-7
3" x 1/2"	7.750	3.875	3.625	0.065	3.00" x 0.50" HS-7RMP-B-7
3" x 3/4"	7.750	3.875	3.625	0.065	3.00" x 0.75" HS-7RMP-B-7
3" x 1"	7.750	3.875	3.625	0.065	3.00" x 1.00" HS-7RMP-B-7
3" x 1 1/2"	7.750	3.875	3.625	0.065	3.00" x 1.50" HS-7RMP-B-7
3" x 2"	7.750	3.875	3.625	0.065	3.00" x 2.00" HS-7RMP-B-7
3" x 2 1/2"	7.750	3.875	3.625	0.065	3.00" x 2.50" HS-7RMP-B-7
4" x 1/2"	9.500	4.750	4.125	0.083 / 0.065	4.00" x 0.50" HS-7RMP-B-7
4" x 3/4"	9.500	4.750	4.125	0.083 / 0.065	4.00" x 0.75" HS-7RMP-B-7
4" x 1"	9.500	4.750	4.125	0.083 / 0.065	4.00" x 1.00" HS-7RMP-B-7
4" x 1 1/2"	9.500	4.750	4.125	0.083 / 0.065	4.00" x 1.50" HS-7RMP-B-7
4" x 2"	9.500	4.750	4.375	0.083 / 0.065	4.00" x 2.00" HS-7RMP-B-7
4" x 2 1/2"	9.500	4.750	4.375	0.083 / 0.065	4.00" x 2.50" HS-7RMP-B-7
4" x 3"	9.500	4.750	4.375	0.083 / 0.065	4.00" x 3.00" HS-7RMP-B-7

All dimensions in inches.