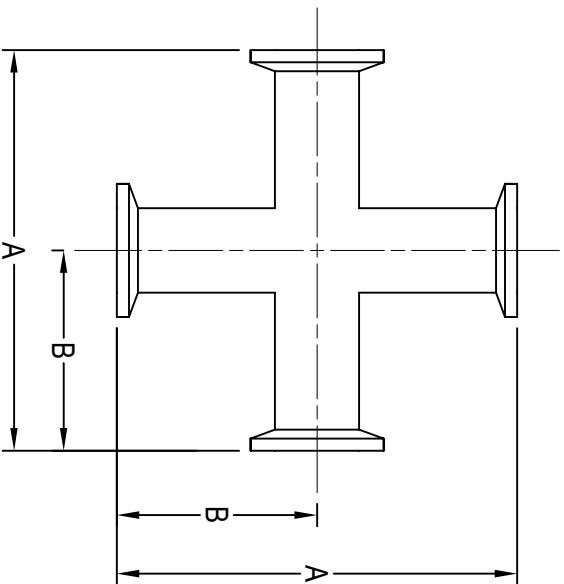


BPE HS-9MP CLAMP CROSS



DT-4.1.2-4

CLAMP SIZE	A	B	Wall Thickness	BPE SS316L Item No.
1/2"	4.750	2.375	0.065	0.50" HS-9MP-B-7
3/4"	5.000	2.500	0.065	0.75" HS-9MP-B-7
1"	5.250	2.625	0.065	1.00" HS-9MP-B-7
1 1/2"	5.750	2.875	0.065	1.50" HS-9MP-B-7
2"	6.750	3.375	0.065	2.00" HS-9MP-B-7
2 1/2"	7.250	3.625	0.065	2.50" HS-9MP-B-7
3"	7.750	3.875	0.065	3.00" HS-9MP-B-7
4"	9.500	4.750	0.083	4.00" HS-9MP-B-7

All dimensions in inches.