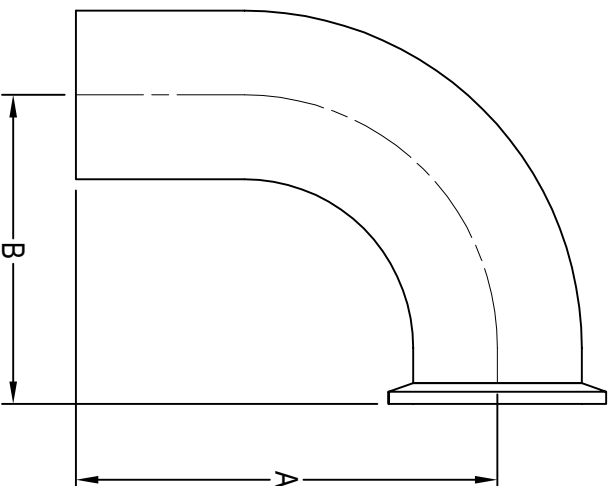


BPE HS-2CMS ELBOW 90° WELD X CLAMP



DT-4.1.1-2

| TUBE OD | A | B | Wall Thickness | BPE SS-316L Item No. |
|---------|-------|-------|----------------|----------------------|
| 1/2" | 3.000 | 1.625 | .065 | 0.50" HS-2CMS-B-7 |
| 3/4" | 3.000 | 1.625 | .065 | 0.75" HS-2CMS-B-7 |
| 1" | 3.000 | 2.000 | .065 | 1.00" HS-2CMS-B-7 |
| 1 1/2" | 3.750 | 2.750 | .065 | 1.50" HS-2CMS-B-7 |
| 2" | 4.750 | 3.500 | .065 | 2.00" HS-2CMS-B-7 |
| 2 1/2" | 5.500 | 4.250 | .065 | 2.50" HS-2CMS-B-7 |
| 3" | 6.250 | 5.000 | .065 | 3.00" HS-2CMS-B-7 |
| 4" | 8.000 | 6.625 | .083 | 4.00" HS-2CMS-B-7 |

All dimensions in inches.

JANUARY 2025



www.halesoninc.com