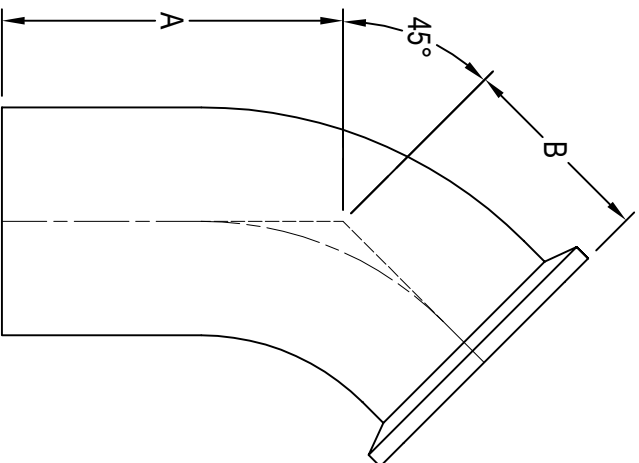


BPE HS-2KMS ELBOW 45° WELD x CLAMP



TUBE OD	A	B	Wall Thickness	BPE SS-316L Item No.
1/2"	2.250	1.000	.065	0.50" HS-2KMS-B-7
3/4"	2.250	1.000	.065	0.75" HS-2KMS-B-7
1"	2.250	1.125	.065	1.00" HS-2KMS-B-7
1 1/2"	2.500	1.438	.065	1.50" HS-2KMS-B-7
2"	3.000	1.750	.065	2.00" HS-2KMS-B-7
2 1/2"	3.375	2.063	.065	2.50" HS-2KMS-B-7
3"	3.625	2.375	.065	3.00" HS-2KMS-B-7
4"	4.500	3.125	.083	4.00" HS-2KMS-B-7

DT-4.1.1-5

All dimensions in inches.