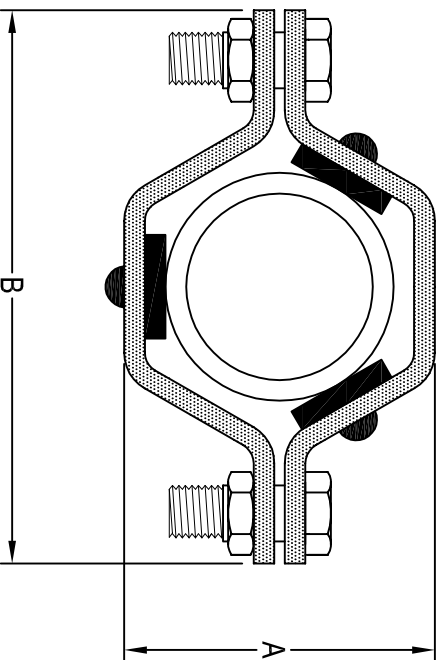


HS-B24W-G TUBING HANGER WITH RUBBER GROMMETS



TUBE OD SIZE	A	B	SS-304 Item No.
1/2"	1.0	2.9	0.50" HS-B24W-G
3/4"	1.3	2.9	0.75" HS-B24W-G
1"	1.5	3.1	1.00" HS-B24W-G
1 1/2"	2.3	3.7	1.50" HS-B24W-G
2"	2.6	4.3	2.00" HS-B24W-G
2 1/2"	3.0	4.9	2.50" HS-B24W-G
3"	3.5	5.5	3.00" HS-B24W-G
4"	4.5	6.8	4.00" HS-B24W-G
6"	6.5	9.1	6.00" HS-B24W-G
8"	8.5	11.8	8.00" HS-B24W-G

All dimensions in inches. Tolerance ± 0.25 " for Dimensions A & B.

APRIL 2021



www.halesoninc.com